



This catalogue is applicable for CFMOTO 650MT 2020 (650-3C)

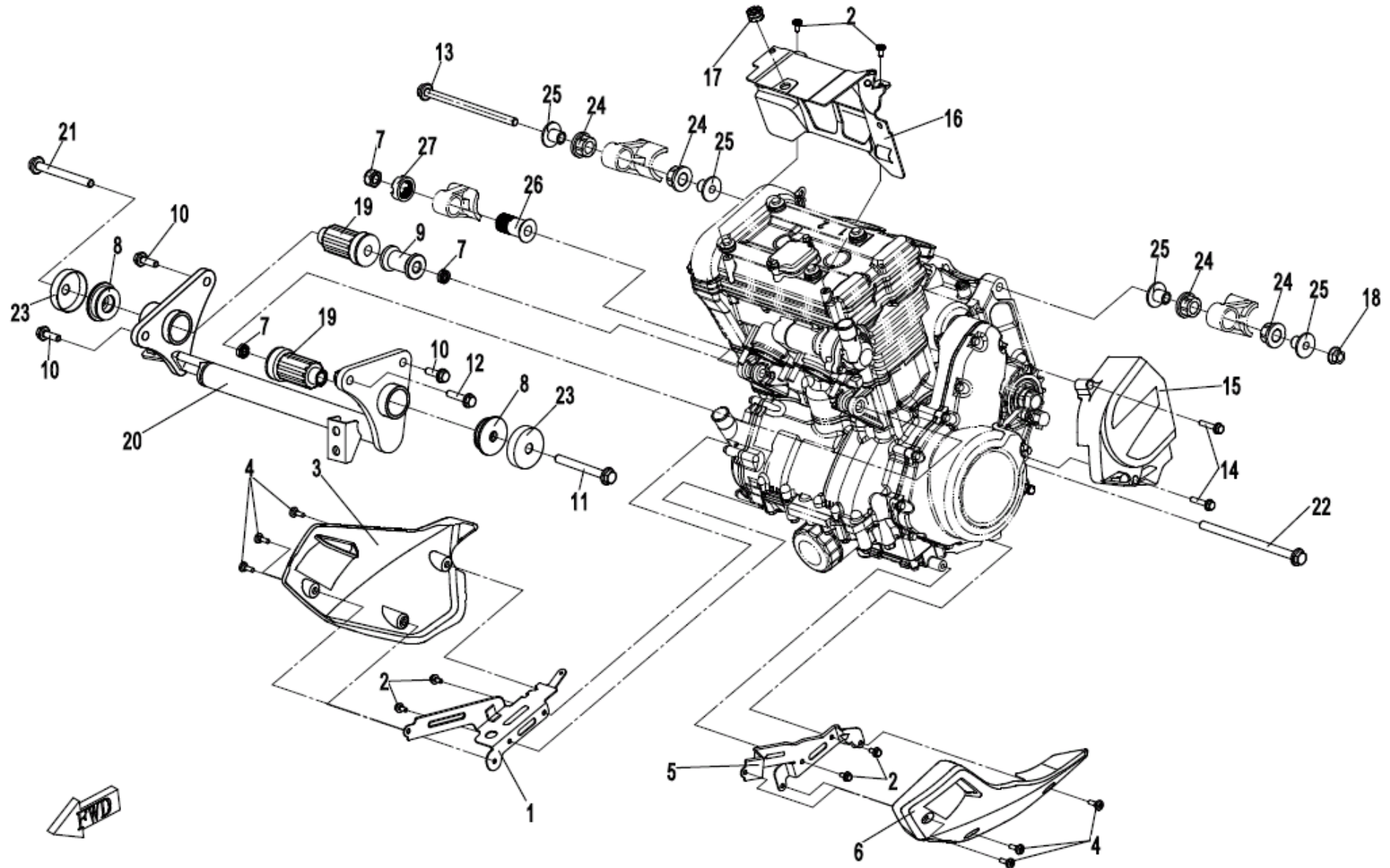


LCD DASHBOARD



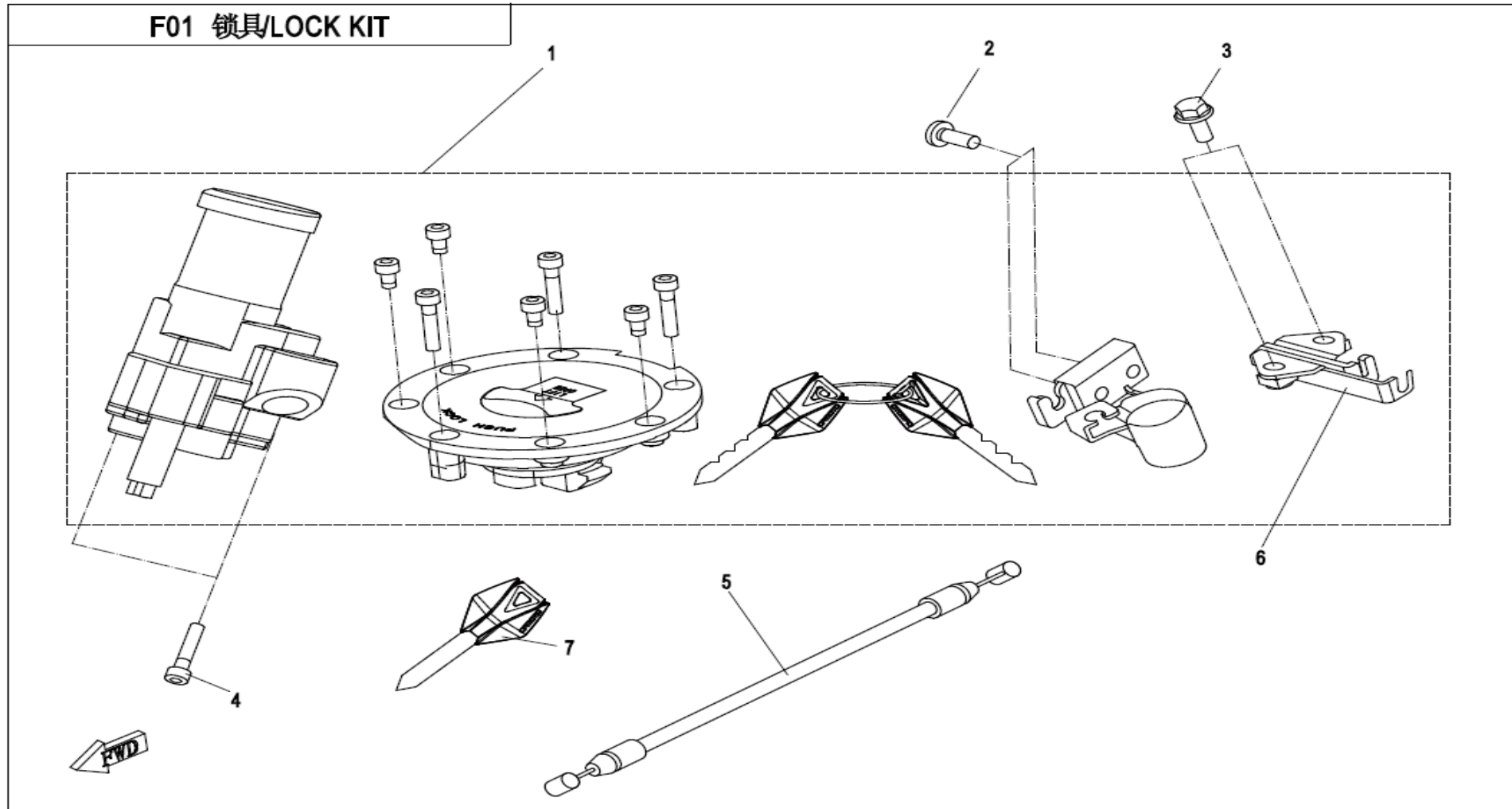
GOLD COLOR FRONT FORK

F00 发动机安装附件 / ENGINE FITTINGS

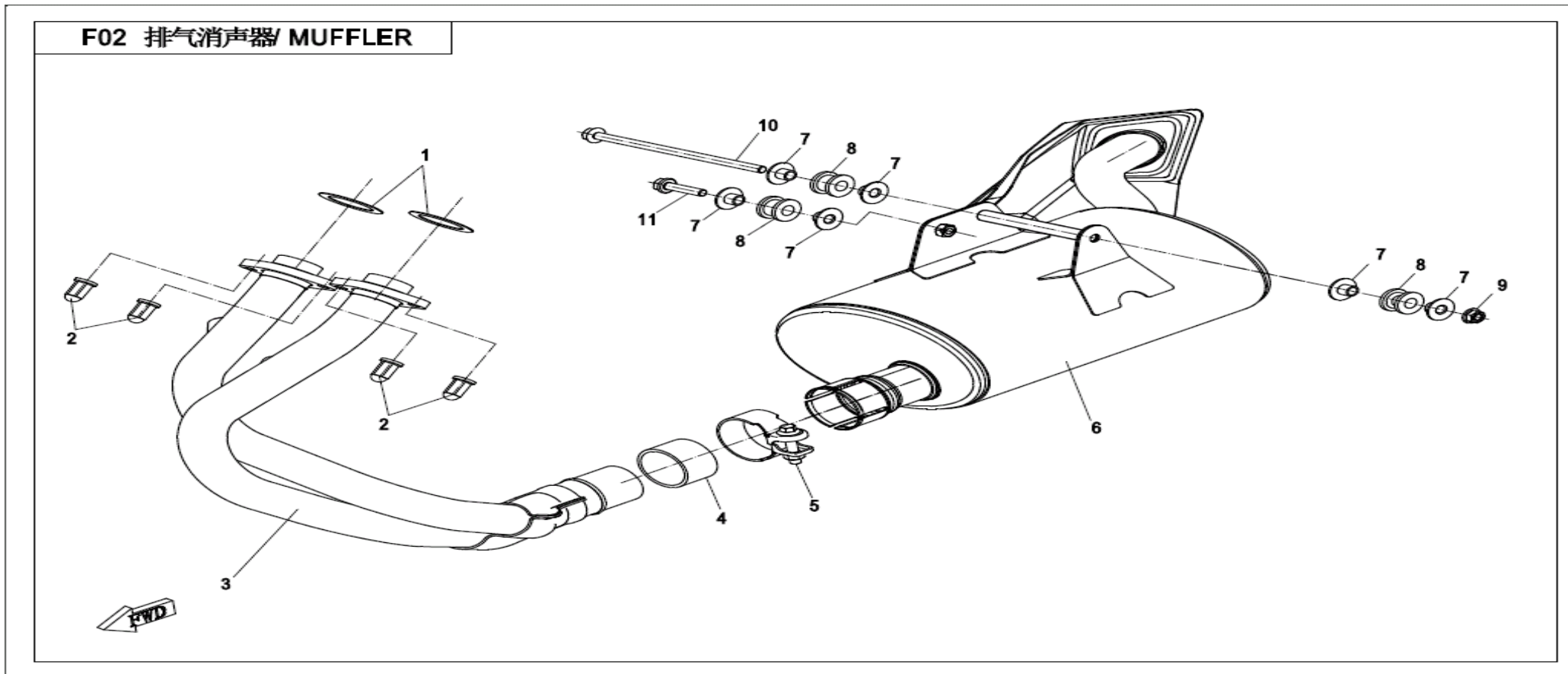


| Item No | Parts Number | Parts Name(EN) | Parts Name(CN) | Qty | Remark(s) |
|---------|-------------------|--------------------------------------|----------------|-----|----------------|
| 01 | 6NT1-000120 | RH BRACKET, LOWER BASE PLATE | 下底板右安装支架组合 | 1 | |
| 02 | 30006-060012810 | BOLT M6x12 | 螺栓M6x12 | 6 | M6x12 |
| 03 | 6NT1-043201 | RH PANEL, ENGINE | 发动机右护板 | 1 | |
| 04 | 6NQ#-000205-6001 | MOUNTING SCREW, CHAIN GUARD | 链条护卡安装螺钉 | 6 | |
| 05 | 6NT1-000110 | LH BRACKET, LOWER BASE PLATE | 下底板左安装支架组合 | 1 | |
| 06 | 6NT1-043101 | LH PANEL, ENGINE | 发动机左护板 | 1 | |
| 07 | 30203-102110 | NUT M10x1.25 | 螺母 | 3 | M10x1.25 |
| 08 | 6NT1-000250 | FRONT LH CUSHION RUBBER 2, ENGINE | 发动机前左缓冲橡胶组合 II | 2 | |
| 09 | 6NT1-000221 | FRONT RH BUSHING, ENGINE | 发动机前右安装衬套 | 1 | |
| 10 | 30006-080025810 | BOLT | 螺栓 | 3 | M8x25 |
| 11 | 30001-102110110 | BOLT M10x1.25x110 | 螺栓 | 1 | M10x1.25x110 |
| 12 | 30006-080028810 | BOLT M8x28 | 螺栓 | 1 | M8x28 |
| 13 | 6NT1-000131 | REAR UPPER SHAFT, ENGINE | 发动机后上安装轴 | 1 | |
| 14 | 30006-060030810 | BOLT M6x30 | 螺栓 | 2 | M6x30 |
| 15 | 6NTG-000102 | GUARD, SMALL SPROCKET | 小链轮护罩 | 1 | |
| 16 | 6NT1-042701 | MIDDLE FENDER(REAR), WATER TANK | 水箱后中挡板 | 1 | |
| 17 | 5020-031001 | RUBBER SLEEVE, FRONT LICENSE BRACKET | 前牌照支架橡胶胶套 | 1 | |
| 18 | 30204-102810 | NUT M10x1.25 | 螺母 | 1 | M10x1.25 |
| 19 | 6NT1-000240 | FRONT LH CUSHION RUBBER 1, ENGINE | 发动机前左缓冲橡胶组合 I | 2 | |
| 20 | 6NT1-000210-0BB00 | FRONT BRACKET, ENGINE | 发动机前安装支架组合 | 1 | PLASTIC POWDER |
| 21 | 30001-102150110 | BOLT M10x1.25x150 | 螺栓 | 1 | M10x1.25x150 |
| 22 | 6NT1-000141 | REAR LOWER SHAFT, ENGINE | 发动机后下安装轴 | 1 | |
| 23 | 6NT1-000231 | FRONT DUST COVER, ENGINE | 发动机前缓冲橡胶防尘盖 | 2 | |
| 24 | 6NT1-000281 | REAR UPPER RUBBER, ENGINE | 发动机后上缓冲橡胶 | 4 | |
| 25 | 6NT1-000282 | REAR UPPER RUBBER BUSHING, ENGINE | 发动机后上缓冲橡胶衬套 | 4 | |
| 26 | 6NT1-000291 | REAR LOWER THREAD SLEEVE, ENGINE | 发动机后下安装螺纹套 | 1 | |
| 27 | 6NT1-000292 | NUT M18 | 开槽圆螺母 | 1 | M18 |

F01 锁具 LOCK KIT

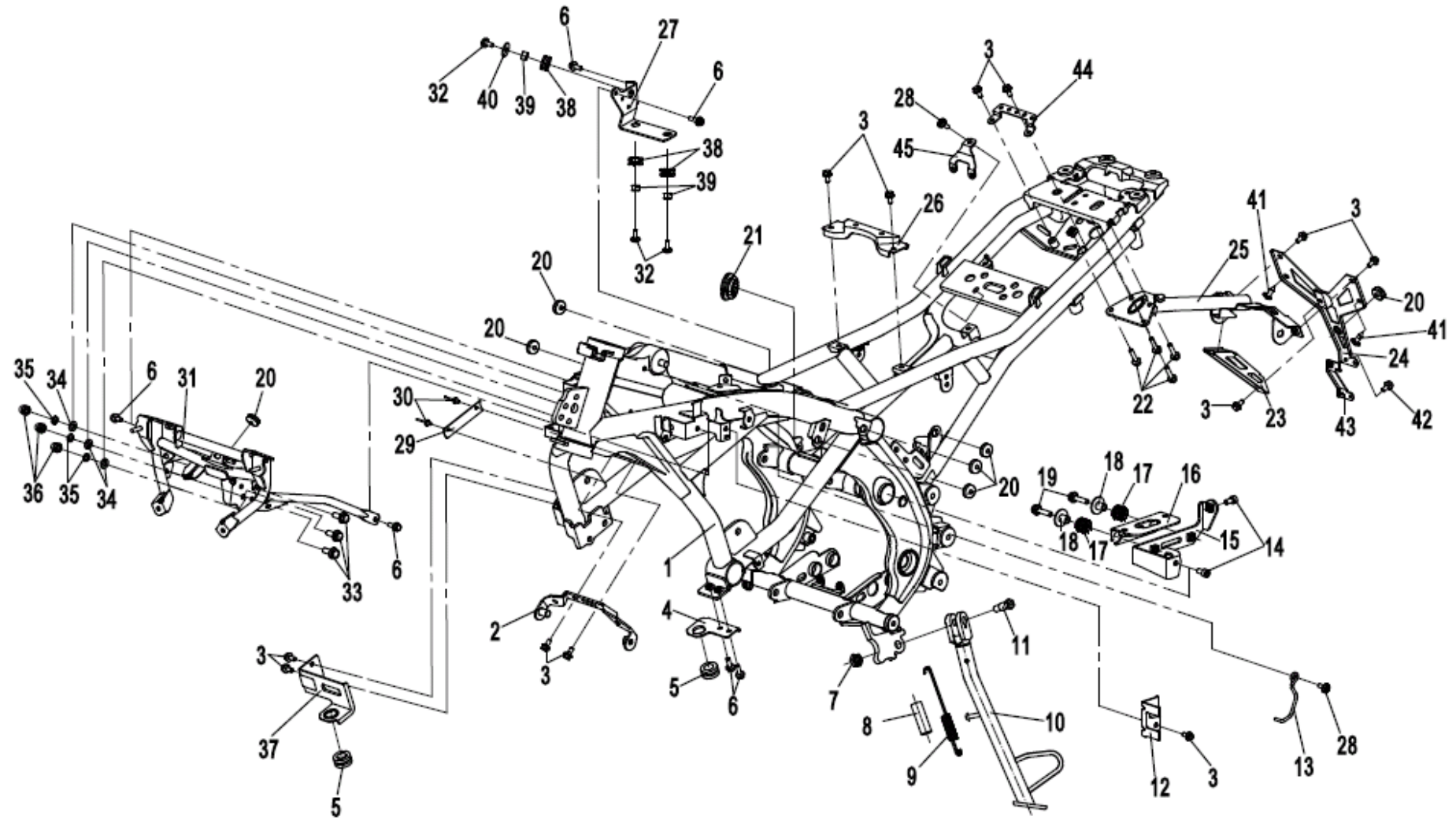


| Item No | Parts Number | Parts Name(EN) | Parts Name(CN) | Qty | Remark(s) |
|---------|-------------------|-----------------|----------------|-----|-----------|
| 01 | 6NQ0-011000 | LOCK KITS | 锁具组合 | 1 | |
| 02 | 30105-050012410 | SCREW M5x12 | 螺钉 | 2 | M5x12 |
| 03 | 30006-060012810 | BOLT M6x12 | 螺栓M6x12 | 2 | M6x12 |
| 04 | 30102-060020810 | SCREW M6x20 | 螺钉 | 2 | M6x20 |
| 05 | 6NT1-010010 | SEAT CABLE | 座垫拉索 | 1 | |
| 06 | A000-010600 | LOCK SEAT, SEAT | 座垫锁座组合 | 1 | |
| 07 | 6NQ0-011001-0MP00 | KEY | 钥匙 | 1 | BLANK |



| Item No | Parts Number | Parts Name(EN) | Parts Name(CN) | Qty | Remark(s) |
|---------|-------------------|-------------------------|----------------|-----|-----------|
| 01 | 0700-022012 | GASKET, EXHAUST PIPE | 排气管衬垫 | 2 | |
| 02 | 8010-020001 | NUT M8, MUFFLER JOINT | 消声器接头螺母M8 | 4 | M8 |
| 03 | 6NT1-021100-10000 | EXHAUST PIPE ASSY | 排气管焊接组合 | 1 | |
| 04 | A000-020002 | SEAL SLEEVE, GRAPHITE 1 | 石墨密封套 I | 2 | |
| 05 | A000-020600 | CLAMP 2 | 卡箍组件II | 2 | |
| 06 | 6NQA-021200-0B200 | MUFFLER MAIN BODY | 消声器主筒组件 | 1 | EU4 |
| 07 | A000-020005 | BUSHING | 衬套 | 6 | |
| 08 | A000-020004 | DAMPER, MUFFLER | 消声器缓冲套 | 3 | |
| 09 | 30204-080810 | NUT M8 | 螺母 | 1 | M8 |
| 10 | A000-020006 | SHAFT, MUFFLER | 消声器安装轴 | 1 | |
| 11 | 30006-080035810 | BOLT | 螺栓 | 1 | M8x35 |

F03 车架FRAME

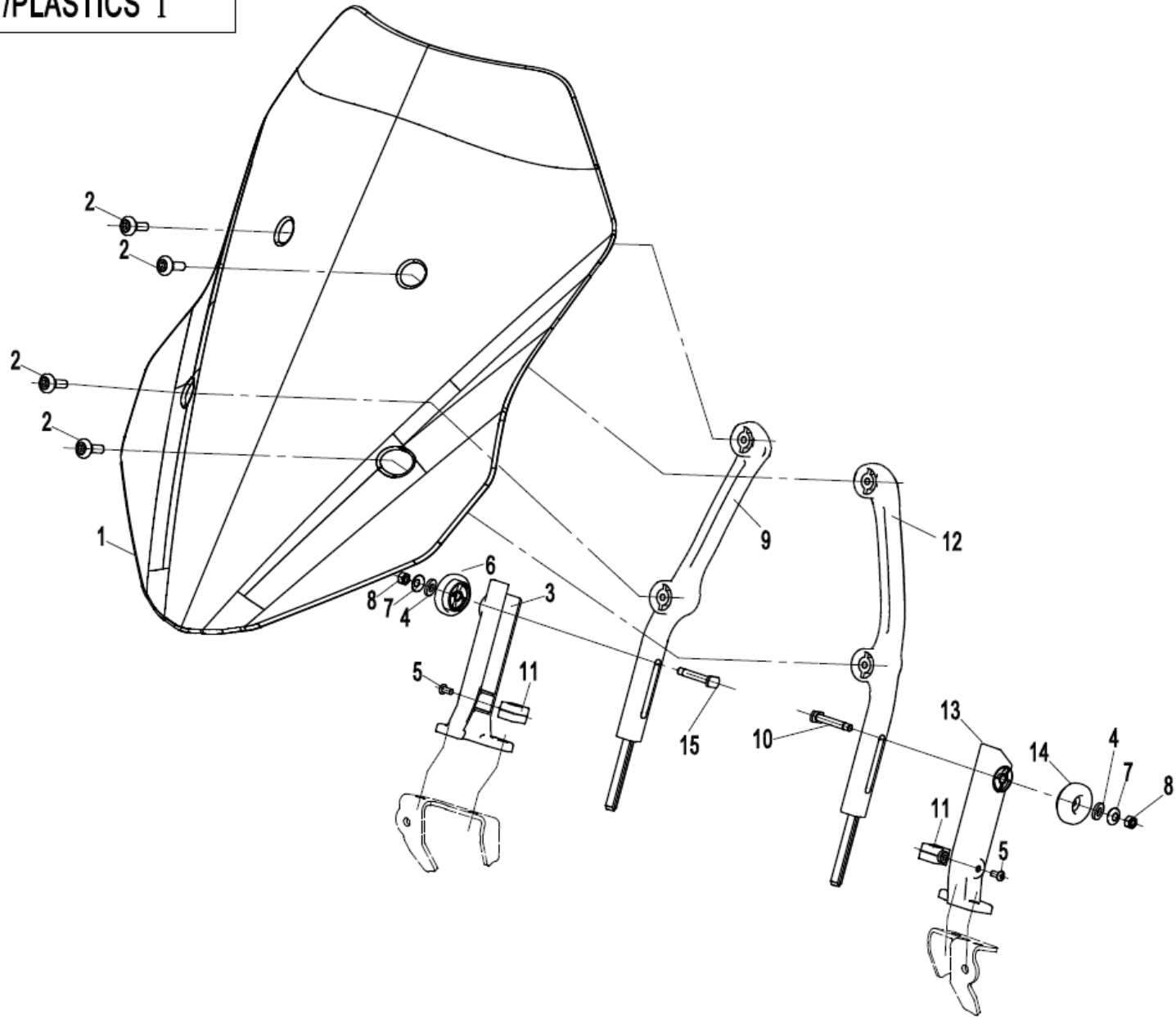


| Item No | Parts Number | Parts Name(EN) | Parts Name(CN) | Qty | Remark(s) |
|---------|-------------------|--|----------------|-----|-------------------|
| 01 | 6NT1-031000-4BP00 | FRAME ASSY | 车架焊接组件 | 1 | MAUD SPIRIT BLACK |
| 02 | 6NTG-030160 | UPPER BRACKET, RADIATOR | 散热器上安装支架组合 | 1 | |
| 03 | 30006-060012810 | BOLT M6x12 | 螺栓M6x12 | 13 | M6x12 |
| 04 | 6NT1-030031 | LH LOWER BRACKET, RADIATOR | 散热器左下支架 | 1 | |
| 05 | A000-180005 | DAMPER2, RADIATOR | 散热器减震胶垫Ⅱ | 2 | |
| 06 | 30006-060016810 | BOLT M6x16 | 螺栓 | 6 | M6x16 |
| 07 | 30208-102810 | NUT M10x1.25 | 螺母 | 1 | M10x1.25 |
| 08 | A000-030004 | SIDE STAND SPRING SLEEVE | 边撑弹簧护套 | 1 | |
| 09 | A000-030210 | SIDE STAND SPRING ASSY | 边撑弹簧组合 | 1 | |
| 10 | 6NT1-030190 | SIDE STAND ASSY | 边撑焊接组件 | 1 | |
| 11 | A000-030006 | SIDE STAND BOLT | 侧支架螺栓 | 1 | |
| 12 | 6NT1-030001 | BRACKET, CANISTER | 碳罐安装支架 | 1 | |
| 13 | A000-030001 | LH CLAMP, MAIN CABLE | 主电缆左线夹 | 1 | |
| 14 | 30102-060012810 | SCREW | 内六角螺钉M6X12 | 2 | |
| 15 | A000-030120 | BRACKET, REGULATOR | 车架调压器安装支架组合 | 1 | |
| 16 | A000-030130 | BRACKET 2, REGULATOR | 调压器安装支架组合 | 1 | |
| 17 | 5020-031001 | RUBBER SLEEVE, FRONT LICENSE BRACKET | 前牌照支架橡胶胶套 | 2 | |
| 18 | 5020-031002 | RUBBER SLEEVE LINER, FRONT LICENSE BRACKET | 前牌照支架橡胶套衬套 | 2 | |
| 19 | 30006-060025810 | BOLT | 螺栓 | 2 | M6x25 |
| 20 | A000-040302 | RUBBER DAMPER | 油箱外护罩缓冲橡胶 | 7 | |
| 21 | 8080-040064 | FRONT FENDER DAMPER | 前围缓冲橡胶套 | 1 | |
| 22 | 30006-080028810 | BOLT M8x28 | 螺栓 | 4 | M8x28 |
| 23 | 6KJ0-030601-0BB0 | SUPPORT PLATE, REAR LICENCE | 后牌照支撑板 | 1 | |
| 24 | 6KJ0-030200-0BB0 | BRACKET, REAR LICENCE | 后牌照安装支架 | 1 | PLASTIC POWDER |
| 25 | 6NT1-030100-0BB00 | BRACKET, REAR FENDER | 后挡泥板支架焊接组件 | 1 | PLASTIC POWDER |
| 26 | A000-030150-00001 | MOUNT BRACKET, FUEL TANK | 油箱安装支架组合 | 1 | |
| 27 | 6NT1-030180 | BRACKET ASSY, ABS CONTROLLER | ABS控制器安装支架组合 | 1 | |
| 28 | A000-040702 | INNER HEX SCREW M6x12 | 内六角螺钉M6x12 | 2 | M6x12 |
| 31 | 6NT1-030400 | FRONT BRACKET ASSY | 前支架焊接组合 | 1 | |
| 32 | 6NQ#-000206-6001 | BOLT M6x16 | 内六角螺钉M6X16 | 3 | M6x16 |
| 33 | 30006-080020810 | BOLT M8x20 | 螺栓 | 3 | M8x20 |
| 34 | 30306-080112 | WASHER | 垫圈 | 3 | 8 |
| 35 | 30303-080112 | WASHER | 垫圈 | 3 | 8 |
| 36 | 30206-080510 | NUT M8 | 盖形螺母 | 3 | M8 |
| 37 | 6NT1-030041 | RH LOWER BRACKET, RADIATOR | 散热器右下支架 | 1 | |

| | | | | | |
|----|-----------------|-----------------------------|-----------|---|----------|
| 38 | A000-050013 | RUBBER MAT | 胶垫 | 3 | |
| 39 | A000-050014 | BUSHING | 衬套 | 3 | |
| 40 | 30305-060112 | WASHER | 垫圈 | 1 | 6 |
| 41 | 30110-421130010 | SCREW | 自攻螺钉 | 2 | ST4.2x13 |
| 42 | 30006-050012810 | BOLT | 螺栓 | 1 | M5x12 |
| 43 | 6KJ0-030920 | MOUNTING SEAT, RH REFLECTOR | 后反射器安装座 | 1 | |
| 44 | 6NT1-030050 | LINKING BRACKET, ECU | ECU转接支架组合 | 1 | |
| 45 | 6NTC-030060 | BRACKET, ROLL-OVER SENSOR | 侧倾传感器安装支架 | 1 | |

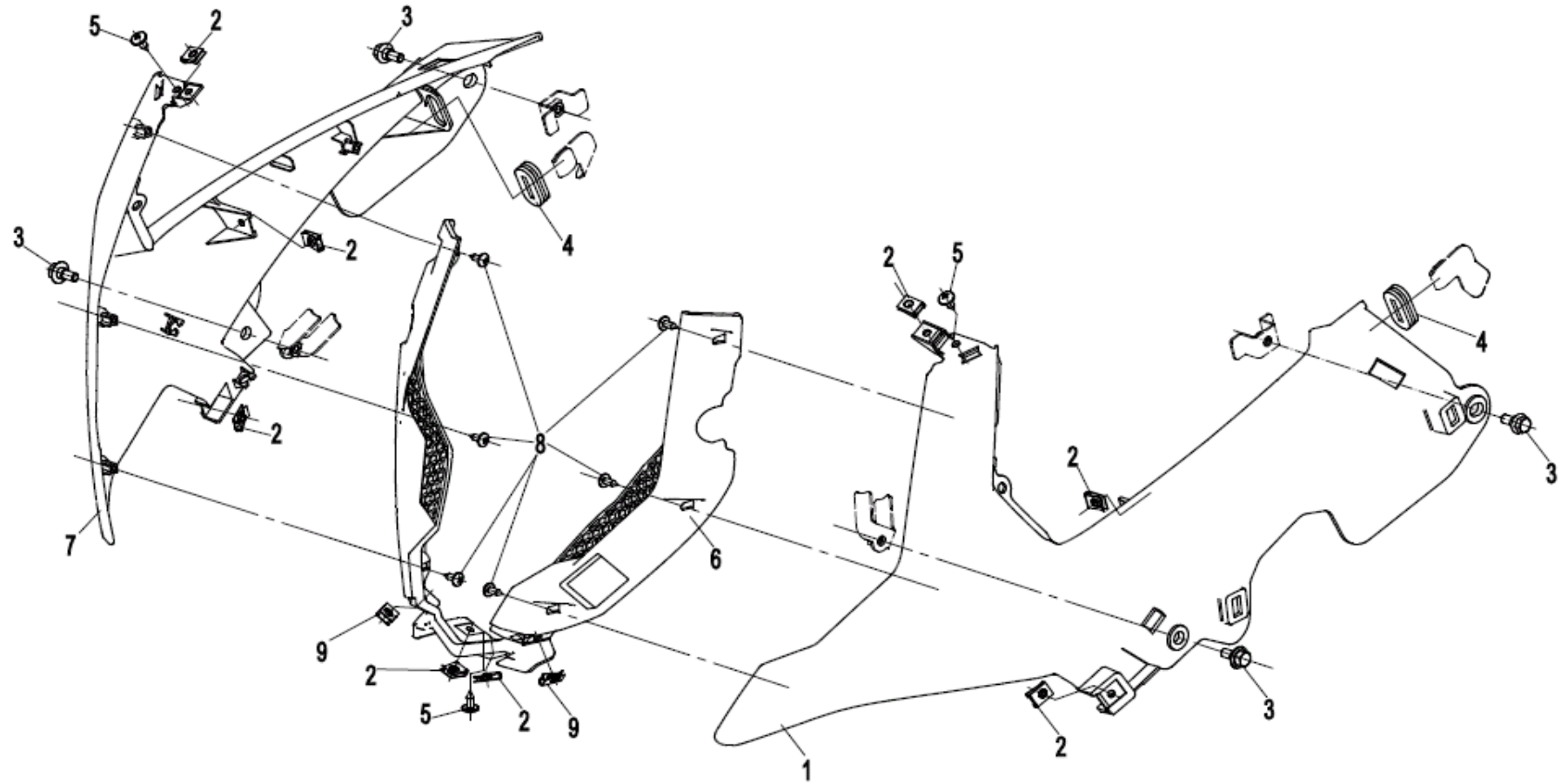
| Item No | Parts Number | Parts Name(EN) | Parts Name(CN) | Qty | Remark(s) |
|---------|-------------------|--------------------------------------|----------------|-----|--------------|
| 01 | 6NT1-040101 | WIND-SHIELD | 挡风玻璃 | 1 | |
| 02 | 6NQ#-000205-6001 | MOUNTING SCREW, CHAIN GUARD | 链条护卡安装螺钉 | 4 | |
| 03 | 6NT1-041402-0V100 | RH BRACKET, WINDSHIELD | 挡风玻璃右支架 | 1 | SILVER WHITE |
| 04 | 30006-060016810 | BOLT M6x16 | 螺栓 | 4 | M6x16 |
| 05 | A010-100102 | INNER HEX SCREW M4x8 | 内六角螺钉M4x8 | 2 | M4x8 |
| 06 | 6NT1-041411 | RH ADJUSTING BUTTON, WINDSHIELD | 风挡机构右调节按钮 | 1 | |
| 07 | 6NT1-041406 | WASHER Dia 5 | 鞍型垫圈5 | 4 | |
| 08 | 30204-050810 | NUT M5 | 螺母 | 2 | M5 |
| 09 | 6NT1-041403-1V100 | RH BRACKET MOVTING LEVER, WINDSHIELD | 挡风玻璃右支架活动杆 | 1 | |
| 10 | 6NT1-041315 | LH BRACKET PIN SHAFT, WINDSHIELD | 风挡机构左支架销轴 | 1 | |
| 11 | 6NT1-041404-0V100 | FIXED BLOCK, WINDSHIELD BRACKET ROD | 挡风玻璃支架活动杆固定块 | 2 | SILVER WHITE |
| 12 | 6NT1-041303-1V100 | LH BRACKET MOVTING LEVER, WINDSHIELD | 挡风玻璃左支架活动杆 | 1 | |
| 13 | 6NT1-041302-0V100 | LH BRACKET, WINDSHIELD | 挡风玻璃左支架 | 1 | SILVER WHITE |
| 14 | 6NT1-041311 | LH ADJUSTING BUTTON, WINDSHIELD | 风挡机构左调节按钮 | 1 | |
| 15 | 6NT1-041415 | RH BRACKET PIN SHAFT, WINDSHIELD | 风挡机构右支架销轴 | 1 | |

F04-1-B 塑料件 I / PLASTICS I



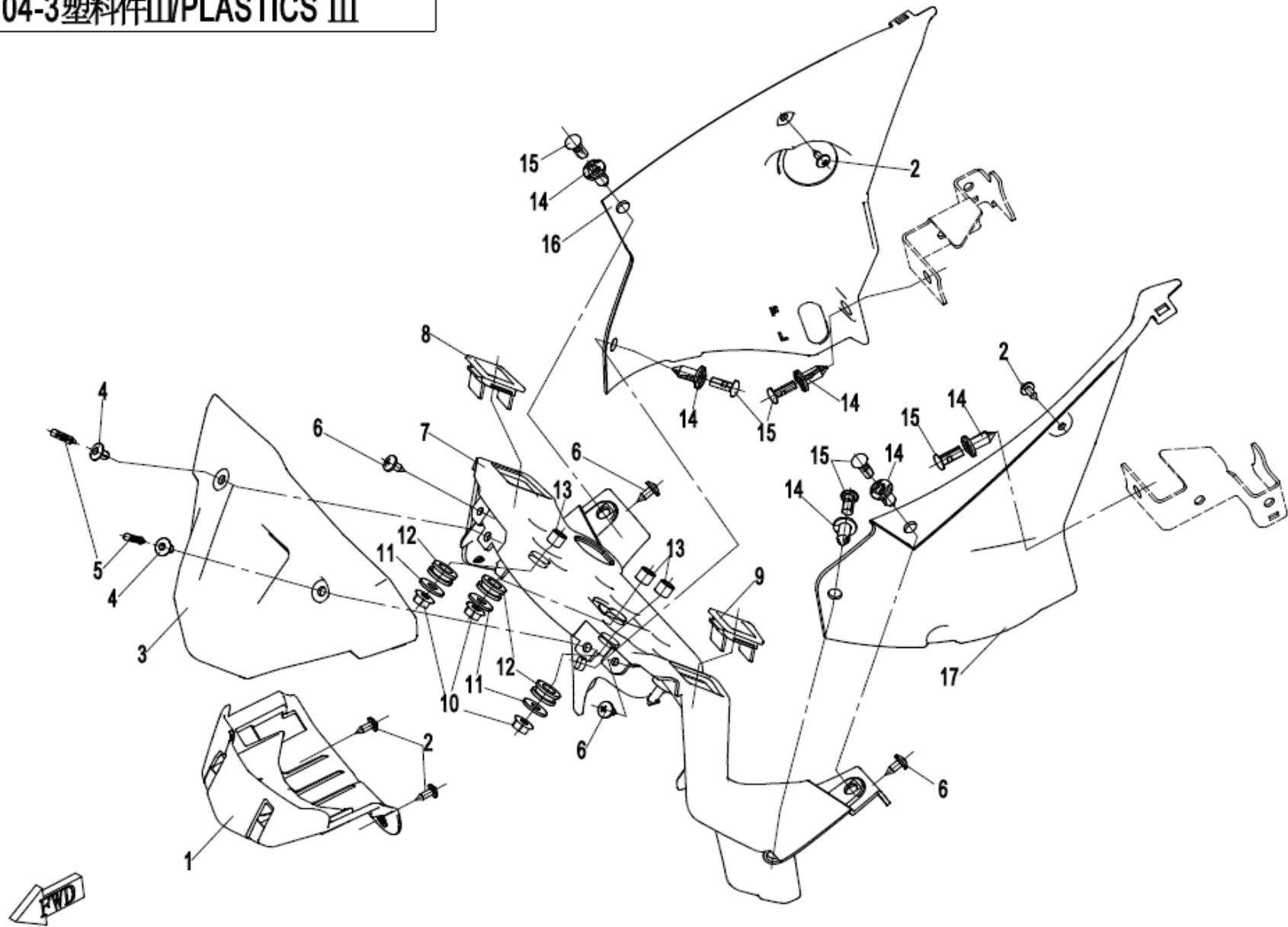
| Item No | Parts Number | Parts Name(EN) | Parts Name(CN) | Qty | Remark(s) |
|---------|-------------------|--------------------------------------|----------------|-----|--------------|
| 01 | 6NT1-040102 | WINDSHIELD | 大挡风玻璃 | 1 | |
| 02 | 6NQ#-000205-6001 | MOUNTING SCREW, CHAIN GUARD | 链条护卡安装螺钉 | 4 | |
| 03 | 6NT1-041402-0V100 | RH BRACKET, WINDSHIELD | 挡风玻璃右支架 | 1 | SILVER WHITE |
| 04 | 30303-060112 | WASHER | 垫圈 | 2 | 6 |
| 05 | A010-100102 | INNER HEX SCREW M4x8 | 内六角螺钉M4x8 | 2 | M4x8 |
| 06 | 6NT1-041411 | RH ADJUSTING BUTTON, WINDSHIELD | 风挡机构右调节按钮 | 1 | |
| 07 | 6NT1-041406 | WASHER Dia 5 | 鞍型垫圈5 | 2 | |
| 08 | 30204-050810 | NUT M5 | 螺母 | 2 | M5 |
| 09 | 6NT1-041403-1V100 | RH BRACKET MOVTING LEVER, WINDSHIELD | 挡风玻璃右支架活动杆 | 1 | |
| 10 | 6NT1-041315 | LH BRACKET PIN SHAFT, WINDSHIELD | 风挡机构左支架销轴 | 1 | |
| 11 | 6NT1-041404-0V100 | FIXED BLOCK, WINDSHIELD BRACKET ROD | 挡风玻璃支架活动杆固定块 | 2 | SILVER WHITE |
| 12 | 6NT1-041303-1V100 | LH BRACKET MOVTING LEVER, WINDSHIELD | 挡风玻璃左支架活动杆 | 1 | |
| 13 | 6NT1-041302-0V100 | LH BRACKET, WINDSHIELD | 挡风玻璃左支架 | 1 | SILVER WHITE |
| 14 | 6NT1-041311 | LH ADJUSTING BUTTON, WINDSHIELD | 风挡机构左调节按钮 | 1 | |
| 15 | 6NT1-041415 | RH BRACKET PIN SHAFT, WINDSHIELD | 风挡机构右支架销轴 | 1 | |

F04-2 塑料件 II/PLASTICS II



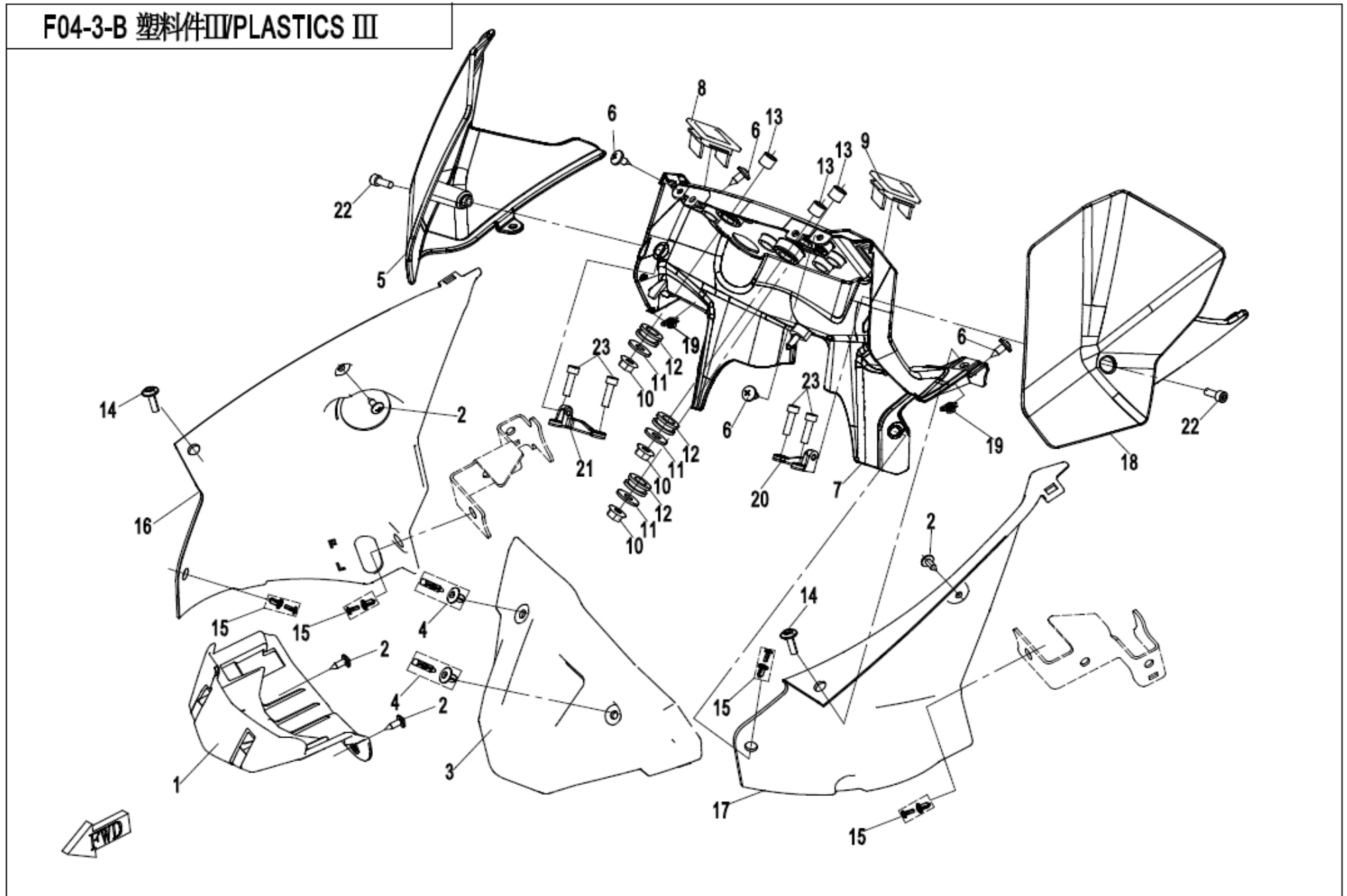
| Item No | Parts Number | Parts Name(EN) | Parts Name(CN) | Qty | Remark(s) |
|---------|-------------------|-------------------------------|----------------|-----|----------------|
| 01 | 6NT1-040501-0VE00 | LH FRONT PANEL (NEBULA WHITE) | 左前护板 | 1 | FOR WHITE BIKE |
| 01 | 6NT1-040501-0EK00 | LH FRONT PANEL (ATHENS BLUE) | 左前护板 | 1 | FOR BLUE BIKE |
| 02 | 8080-000002 | CLIP NUT ST4.8 | 夹板ST4.8 | 10 | ST4.8 |
| 03 | 8010-000004 | BOLT M6x14 | 凸缘螺栓M6x14 | 4 | M6x14 |
| 04 | 5280-030009 | RUBBER RING, SIDE COVER | 侧盖胶圈 | 2 | |
| 05 | 30110-481130010 | SCREW | 自攻螺钉 | 6 | ST4.8x13 |
| 06 | 6NT1-040401 | HEAD PROTECTOR | 头罩 | 1 | |
| 07 | 6NT1-040601-0VE00 | RH FRONT PANEL (NEBULA WHITE) | 右前护板 | 1 | FOR WHITE BIKE |
| 07 | 6NT1-040601-0EK00 | RH FRONT PANEL (ATHENS BLUE) | 右前护板 | 1 | FOR BLUE BIKE |
| 08 | 30110-421130010 | SCREW | 自攻螺钉 | 6 | ST4.2x13 |
| 09 | 8010-000002 | TOOL | 夹板ST4.2 | 2 | ST4.2 |

F04-3 塑料件 III / PLASTICS III



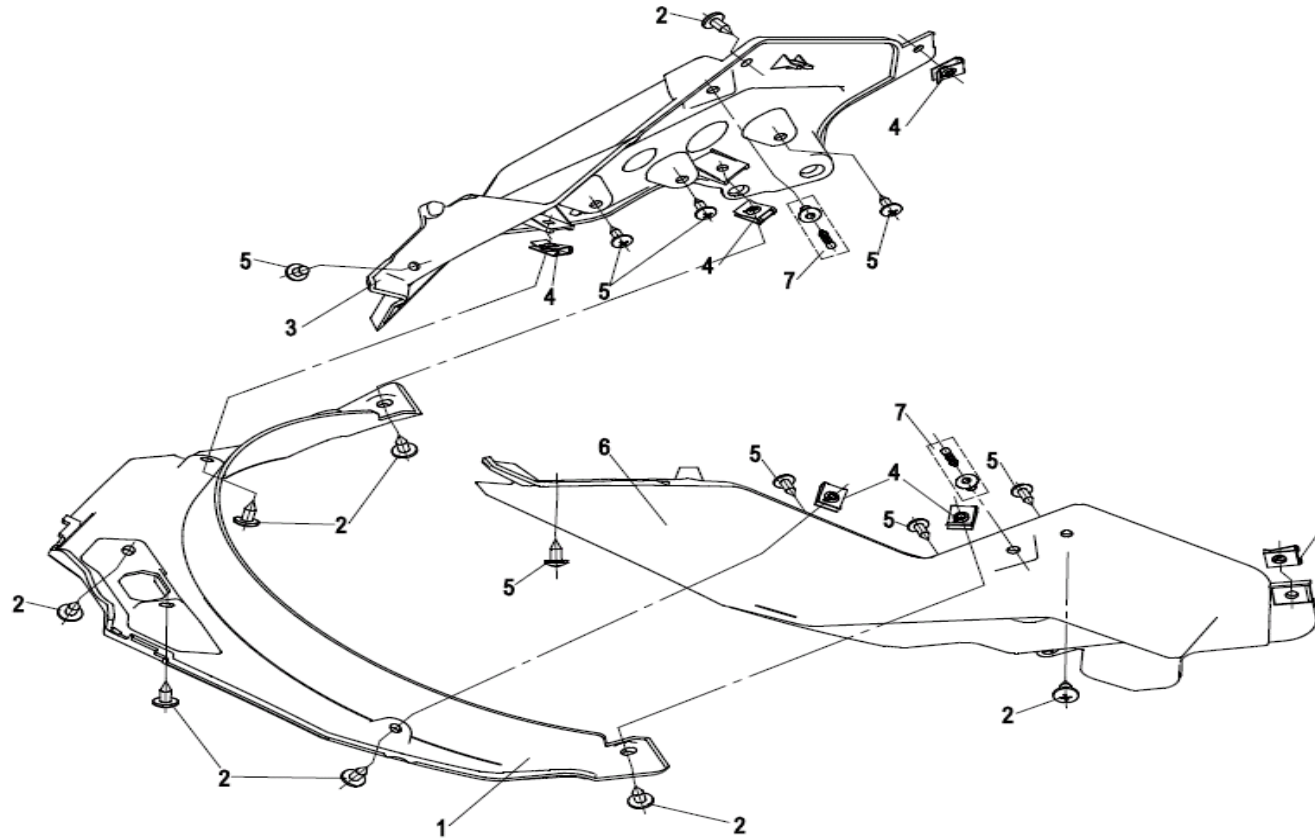
| Item No | Parts Number | Parts Name(EN) | Parts Name(CN) | Qty | Remark(s) |
|---------|-------------------|-----------------------------------|----------------|-----|-----------|
| 01 | 6NT1-040301-00001 | HEADLIGHT UPPER COVER BRACKET | 前照灯上盖板安装板 | 1 | |
| 02 | 30110-421130010 | SCREW | 自攻螺钉 | 4 | ST4.2x13 |
| 03 | 6NT1-040201 | HEADLIGHT UPPER COVER | 前照灯上盖板 | 1 | |
| 04 | 8080-041131 | PLASTIC STUD | 塑料膨胀螺钉柱 | 2 | |
| 05 | 8080-041130 | PLASTIC SCREW | 塑料膨胀螺钉组合 | 2 | |
| 06 | 30110-481130010 | SCREW | 自攻螺钉 | 4 | ST4.8x13 |
| 07 | 6NT1-041001 | DASHBOARD COVER | 仪表罩 | 1 | |
| 08 | 6NT1-041003 | RH RUBBER COLLAR, DASHBOARD COVER | 仪表罩右橡胶套 | 1 | |
| 09 | 6NT1-041002 | LH RUBBER COLLAR, DASHBOARD COVER | 仪表罩左橡胶套 | 1 | |
| 10 | 30202-060110 | NUT M6 | 螺母 | 3 | M6 |
| 11 | 30305-060112 | WASHER | 垫圈 | 3 | 6 |
| 12 | A000-050013 | RUBBER MAT | 胶垫 | 3 | |
| 13 | A000-050014 | BUSHING | 衬套 | 3 | |
| 14 | 9060-040312 | SEAT, PLASTIC CLIP | 塑料卡座 | 6 | |
| 15 | 9060-040311 | PLASTIC CLIP | 塑料卡 | 6 | |
| 16 | 6NT1-041201 | RH INNER PANEL | 右内护板 | 1 | |
| 17 | 6NT1-041101 | LH INNER PANEL | 左内护板 | 1 | |

F04-3-B 塑料件III/PLASTICS III



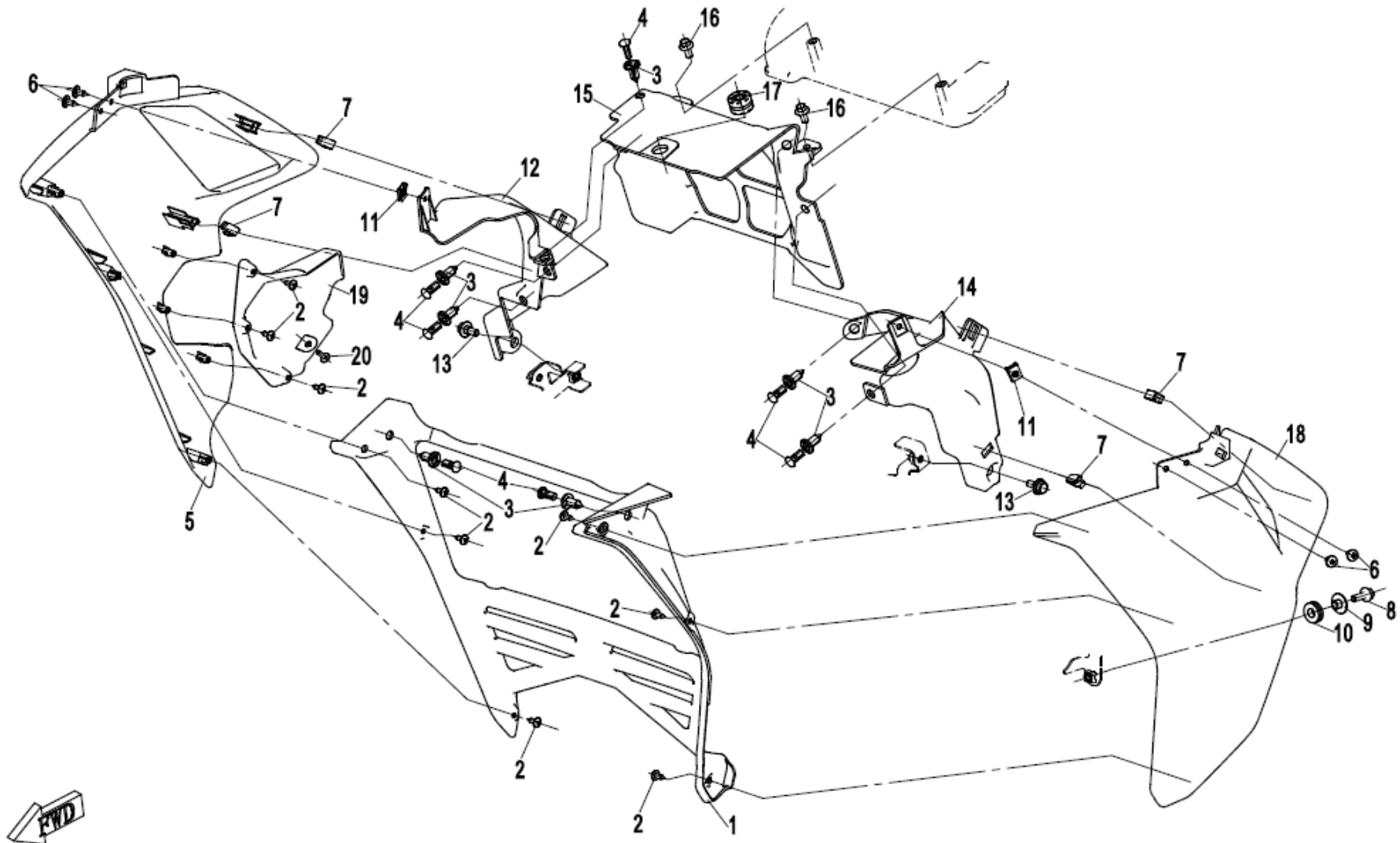
| Item No | Parts Number | Parts Name(EN) | Parts Name(CN) | Qty | Remark(s) |
|---------|-------------------|-----------------------------------|----------------|-----|-----------|
| 01 | 6NT1-040301 | HEADLIGHT UPPER COVER BRACKET | 前照灯上盖板安装板 | 1 | |
| 02 | 30110-421130010 | SCREW | 自攻螺钉 | 4 | ST4.2x13 |
| 03 | 6NT1-040201 | HEADLIGHT UPPER COVER | 前照灯上盖板 | 1 | |
| 04 | 8080-041130 | PLASTIC SCREW | 塑料膨胀螺钉组合 | 2 | |
| 05 | 6NT1-041006 | RH DEFLECTOR | 右导流罩 | 1 | |
| 06 | 30110-481130010 | SCREW | 自攻螺钉 | 4 | ST4.8x13 |
| 07 | 6NT1-041001 | DASHBOARD COVER | 仪表罩 | 1 | |
| 08 | 6NT1-041003 | RH RUBBER COLLAR, DASHBOARD COVER | 仪表罩右橡胶套 | 1 | |
| 09 | 6NT1-041002 | LH RUBBER COLLAR, DASHBOARD COVER | 仪表罩左橡胶套 | 1 | |
| 10 | 30202-060110 | NUT M6 | 螺母 | 3 | M6 |
| 11 | 30305-060112 | WASHER | 垫圈 | 3 | 6 |
| 12 | A000-050013 | RUBBER MAT | 胶垫 | 3 | |
| 13 | A000-050014 | BUSHING | 衬套 | 3 | |
| 14 | A000-040703 | INNER HEX SCREW | 内六角螺钉M6x20 | 2 | M6x20 |
| 15 | 9060-040310 | PLASTIC CLIPS | 塑料卡组合 | 4 | |
| 16 | 6NT1-041201 | RH INNER PANEL | 右内护板 | 1 | |
| 17 | 6NT1-041101 | LH INNER PANEL | 左内护板 | 1 | |
| 18 | 6NT1-041005 | LH DEFLECTOR | 左导流罩 | 1 | |
| 19 | 8030-040800-00001 | NUT CLIP | M6螺母夹 | 2 | M6 |
| 20 | 6NT1-041011 | BRACKET, LH DEFLECTOR | 左导流罩支架 | 1 | |
| 21 | 6NT1-041012 | BRACKET, RH DEFLECTOR | 右导流罩支架 | 1 | |
| 22 | 30102-060016810 | SCREW | 螺钉M6x16 | 2 | |
| 23 | 30102-060022870 | SCREW M6x22 | 螺钉M6x22 | 4 | |

F04-4 塑料件 IV/PLASTICS IV



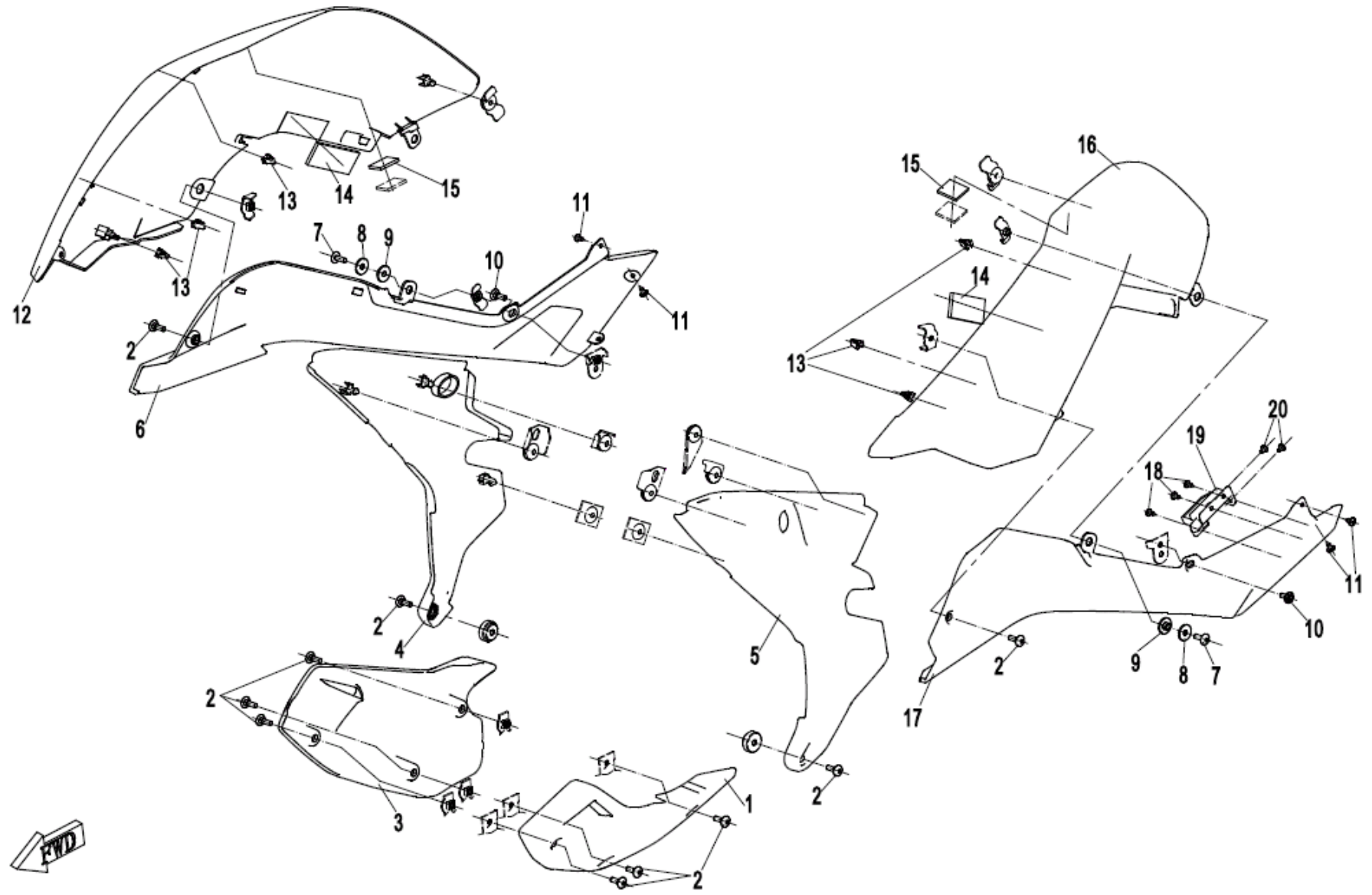
| Item No | Parts Number | Parts Name(EN) | Parts Name(CN) | Qty | Remark(s) |
|---------|-----------------|---------------------------------------|----------------|-----|-----------|
| 01 | 6NT1-040901 | FRONT LOWER PANEL | 前下护板 | 1 | |
| 02 | 30110-481130010 | SCREW | 自攻螺钉 | 8 | ST4.8x13 |
| 03 | 6NT1-040801 | CONNECTING PLATE, RH FRONT TURN LIGHT | 右前转向灯安装连接板 | 1 | |
| 04 | 8080-000002 | CLIP NUT ST4.8 | 夹板ST4.8 | 6 | ST4.8 |
| 05 | 30110-421130010 | SCREW | 自攻螺钉 | 8 | ST4.2x13 |
| 06 | 6NT1-040701 | CONNECTING PLATE, LH FRONT TURN LIGHT | 左前转向灯安装连接板 | 1 | |
| 07 | 8080-041130 | PLASTIC SCREW | 塑料膨胀螺钉组合 | 2 | |

F04-5 塑料件 V/PLASTICS V



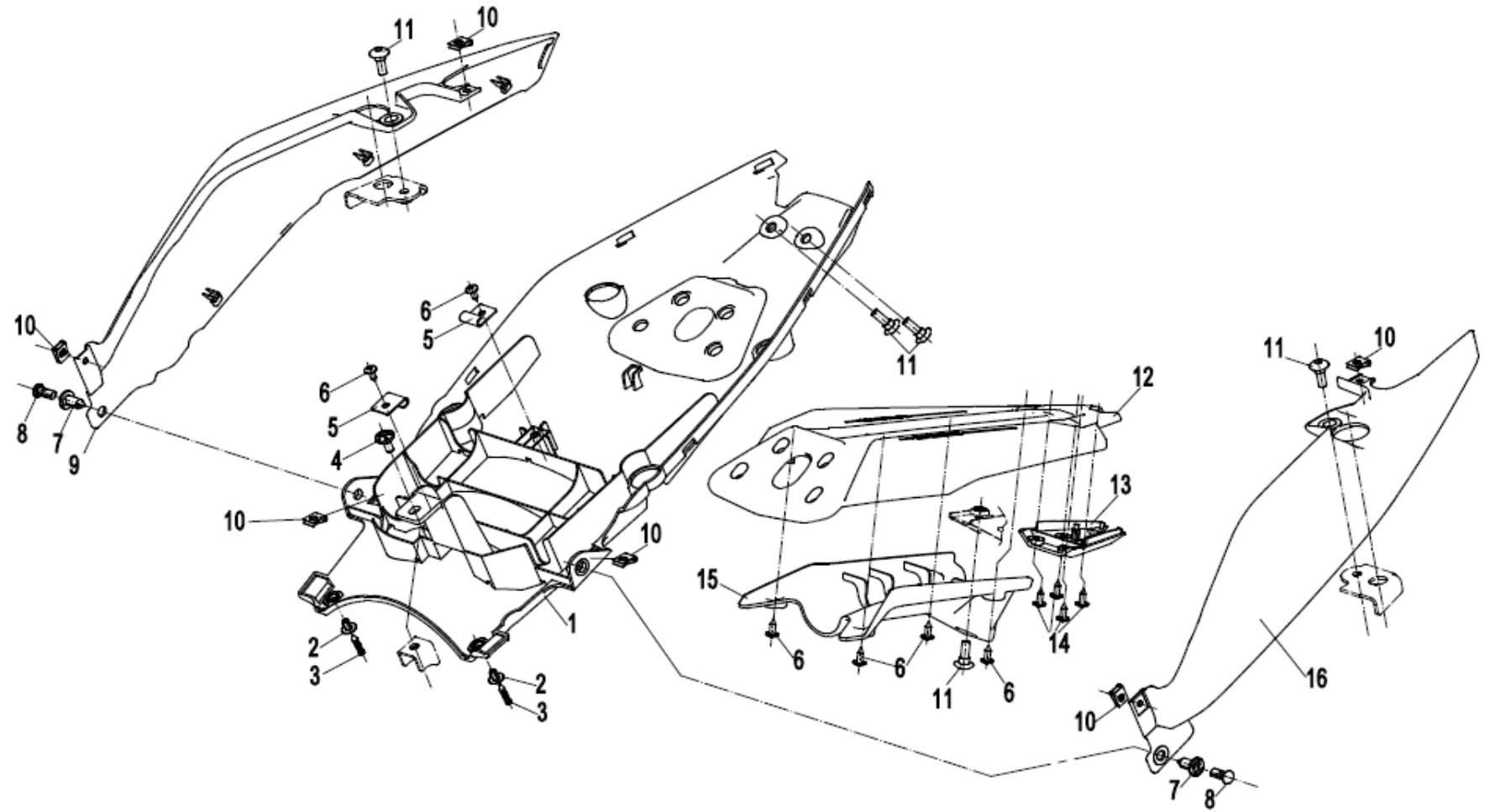
| Item No | Parts Number | Parts Name(EN) | Parts Name(CN) | Qty | Remark(s) |
|---------|-----------------|--------------------------------------|----------------|-----|-----------|
| 01 | 6NT1-041901 | FRONT FENDER, WATER TANK | 水箱前挡板 | 1 | |
| 02 | 30110-421130010 | SCREW | 自攻螺钉 | 9 | ST4.2x13 |
| 03 | 9060-040312 | SEAT, PLASTIC CLIP | 塑料卡座 | 7 | |
| 04 | 9060-040311 | PLASTIC CLIP | 塑料卡 | 7 | |
| 05 | 6NT1-041801 | RH PANEL, RESERVOIR TANK | 水箱右护板 | 1 | |
| 06 | 30110-481130010 | SCREW | 自攻螺钉 | 4 | ST4.8x13 |
| 07 | 8080-000001 | CLASP | 卡扣 | 4 | |
| 08 | 30006-060016810 | BOLT M6x16 | 螺栓 | 1 | M6x16 |
| 09 | 9010-160102 | HEADLIGHT STEEL BUSHING | 前照灯钢套 | 1 | |
| 10 | 9010-160101 | HEADLIGHT RUBBER DAMPER | 前照灯胶垫 | 1 | |
| 11 | 8080-000002 | CLIP NUT ST4.8 | 夹板ST4.8 | 2 | ST4.8 |
| 12 | 6NT1-042901 | RH FENDER(REAR), WATER TANK | 水箱后右挡板 | 1 | |
| 13 | 8010-000004 | BOLT M6x14 | 凸缘螺栓M6x14 | 2 | M6x14 |
| 14 | 6NT1-042801 | LH FENDER(REAR), WATER TANK | 水箱后左挡板 | 1 | |
| 15 | 6NT1-042701 | MIDDLE FENDER(REAR), WATER TANK | 水箱后中挡板 | 1 | |
| 16 | 30006-060012810 | BOLT M6x12 | 螺栓M6x12 | 2 | M6x12 |
| 17 | 5020-031001 | RUBBER SLEEVE, FRONT LICENSE BRACKET | 前牌照支架橡胶胶套 | 1 | |
| 18 | 6NT1-041701 | LH PANEL, RESERVOIR TANK | 水箱左护板 | 1 | |
| 19 | 6NT1-041802 | DECO PLATE, RESERVOIR TANK RH PANEL | 水箱右护板装饰板 | 1 | |
| 20 | A000-040202 | INNER HEX SCREW M5x14 | 内六角螺钉M5x14 | 1 | M5x14 |

F04-6 塑料件 VI/PLASTICS VI



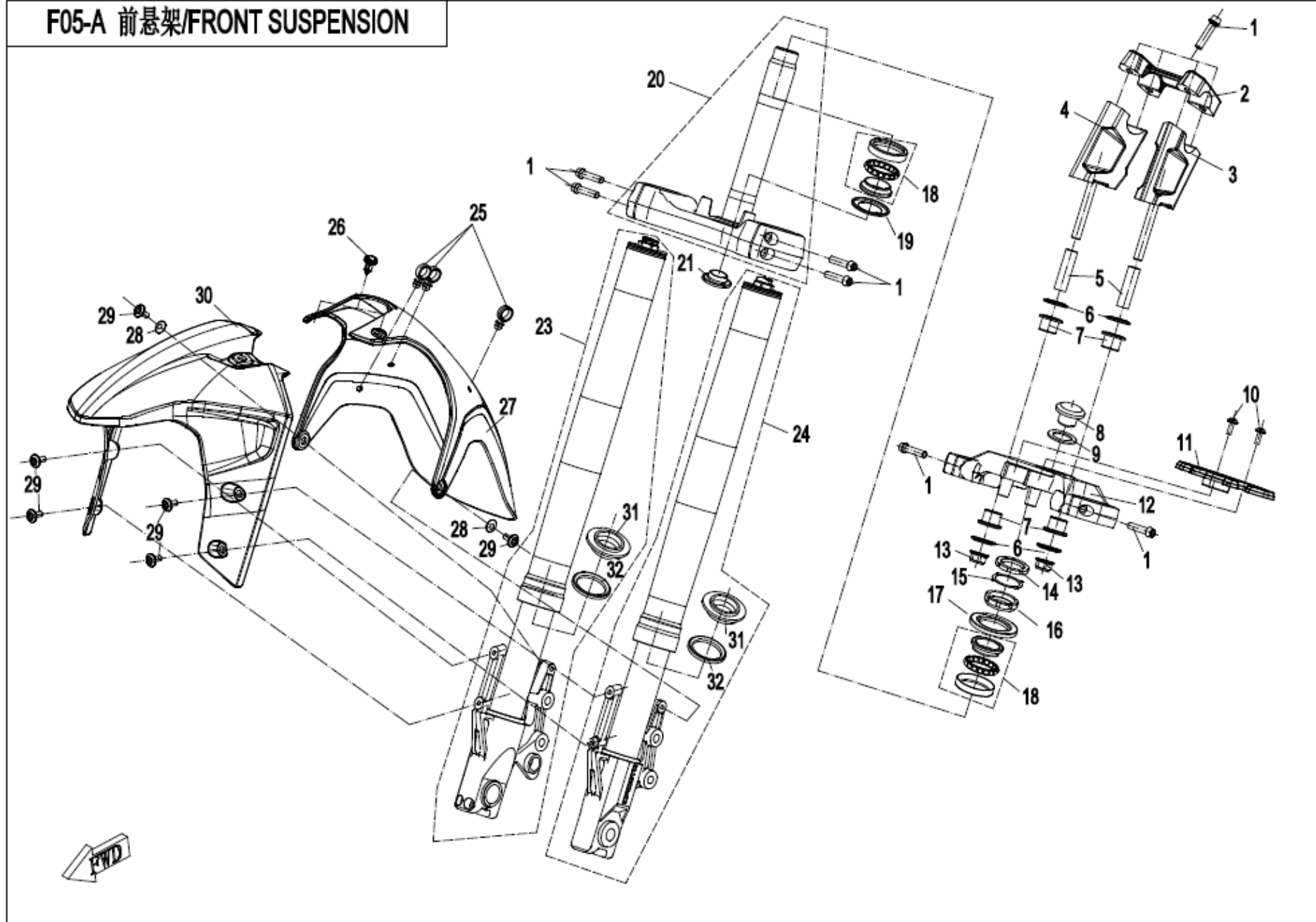
| Item No | Parts Number | Parts Name(EN) | Parts Name(CN) | Qty | Remark(s) |
|---------|-------------------|---|----------------|-----|--------------------|
| 01 | 6NT1-043101 | LH PANEL, ENGINE | 发动机左护板 | 1 | |
| 02 | 6NQ#-000205-6001 | MOUNTING SCREW, CHAIN GUARD | 链条护卡安装螺钉 | 10 | |
| 03 | 6NT1-043201 | RH PANEL, ENGINE | 发动机右护板 | 1 | |
| 04 | 6NT1-042301-00001 | RH PANEL, FRAME | 车架右护板 | 1 | |
| 05 | 6NT1-042201-00001 | LH PANEL, FRAME | 车架左护板 | 1 | |
| 06 | 6NT1-042101-0B300 | RH PANEL, SEAT | 坐垫右护板 | 1 | PEARL BLACK |
| 06 | 6NT1-042101-0BM00 | RH PANEL, SEAT | 坐垫右护板 | 1 | NEBULA BLACK |
| 07 | 6NQ#-000206-6001 | BOLT M6x16 | 内六角螺钉M6X16 | 2 | M6x16 |
| 08 | 30301-060412 | WASHER | 垫圈 | 2 | 6 |
| 09 | 8080-140004 | LOCK BUSHING, REAR RACK | 后货架锁孔衬套 | 2 | |
| 10 | 8030-040020-1000 | SCREW M6x17.5 | 音箱盖螺钉M6x17.5 | 2 | M6x17.5 ARMY GREEN |
| 11 | 30110-481130010 | SCREW | 自攻螺钉 | 4 | ST4.8x13 |
| 12 | 6NT1-041601-0ER00 | FUEL TANK RH PANEL (ATHENS BLUE+MATTE TITANIUM GREY) | 油箱右护板 | 1 | FOR BLUE BIKE |
| 12 | 6NT1-041601-0VJ00 | FUEL TANK RH PANEL (NEBULA WHITE+MATTE TITANIUM GREY) | 油箱右护板 | 1 | FOR WHITE BIKE |
| 13 | 8080-000001 | CLASP | 卡扣 | 6 | |
| 14 | 9010-120008 | FUEL TANK SPONGE | 油箱海绵块 | 2 | |
| 15 | 6NT1-041510 | BUCKLE ASSY | 蘑菇搭扣组合 | 2 | |
| 16 | 6NT1-041501-0ER00 | FUEL TANK LH PANEL (ATHENS BLUE+MATTE TITANIUM GREY) | 油箱左护板 | 1 | FOR BLUE BIKE |
| 16 | 6NT1-041501-0VJ00 | FUEL TANK LH PANEL (NEBULA WHITE+MATTE TITANIUM GREY) | 油箱左护板 | 1 | FOR WHITE BIKE |
| 17 | 6NT1-042001-0B300 | LH PANEL, SEAT | 坐垫左护板 | 1 | PEARL BLACK |
| 17 | 6NT1-042001-0BM00 | LH PANEL, SEAT | 坐垫左护板 | 1 | NEBULA BLACK |
| 18 | 30110-421130010 | SCREW | 自攻螺钉 | 3 | ST4.2x13 |
| 19 | 6KJ0-041801-00001 | GUARD, SEAT LOCK | 座垫锁保护罩 | 1 | |
| 20 | 30105-050012410 | SCREW M5x12 | 螺钉 | 2 | M5x12 |

F04-7 塑料件 VII PLASTICS VII



| Item No | Parts Number | Parts Name(EN) | Parts Name(CN) | Qty | Remark(s) |
|---------|-------------------|--|----------------|-----|--------------------|
| 01 | 6NT1-042601-00002 | FRAME BASE PLATE | 车架底板 | 1 | |
| 02 | 8080-041130 | PLASTIC SCREW | 塑料膨胀螺钉组合 | 2 | |
| 03 | 8080-041131 | PLASTIC STUD | 塑料膨胀螺钉柱 | 2 | |
| 04 | 8030-040020-1000 | SCREW M6x17.5 | 音箱盖螺钉M6x17.5 | 1 | M6x17.5 ARMY GREEN |
| 05 | A000-030005 | TIE BAND BRACKET, TOOLS KIT | 随车工具拉带支架 | 2 | |
| 06 | 30110-421130010 | SCREW | 自攻螺钉 | 6 | ST4.2x13 |
| 07 | 9060-040312 | SEAT, PLASTIC CLIP | 塑料卡座 | 2 | |
| 08 | 9060-040311 | PLASTIC CLIP | 塑料卡 | 2 | |
| 09 | 6NT1-042501-0H300 | RH PANEL, TAIL LIGHT (SILVER BLACK) | 尾灯右护板 | 1 | FOR BLUE BIKE |
| 09 | 6NT1-042501-0BA00 | RH PANEL, TAIL LIGHT (TITANIUM GREY MATTE) | 尾灯右护板 | 1 | FOR WHITE BIKE |
| 10 | 8080-000002 | CLIP NUT ST4.8 | 夹板ST4.8 | 6 | ST4.8 |
| 11 | 6NQ#-000205-6001 | MOUNTING SCREW, CHAIN GUARD | 链条护卡安装螺钉 | 5 | |
| 12 | 6NT1-043001 | REAR FENDER | 后泥板 | 1 | |
| 13 | 6KJ0-042701 | HOLDER, REAR LICENCE LIGHT | 后牌照灯固定板 | 1 | |
| 14 | 30110-420095010 | SELF-TAPPING SCREW ST4.2x9.5 | 自攻螺钉 | 4 | ST4.2x9.5 |
| 15 | 6NT1-043301 | INNER BUSHING, REAR FENDER | 后泥板内衬 | 1 | |
| 16 | 6NT1-042401-0H300 | LH PANEL, TAIL LIGHT (SILVER BLACK) | 尾灯左护板 | 1 | FOR BLUE BIKE |
| 16 | 6NT1-042401-0BA00 | LH PANEL, TAIL LIGHT (TITANIUM GREY MATTE) | 尾灯左护板 | 1 | FOR WHITE BIKE |

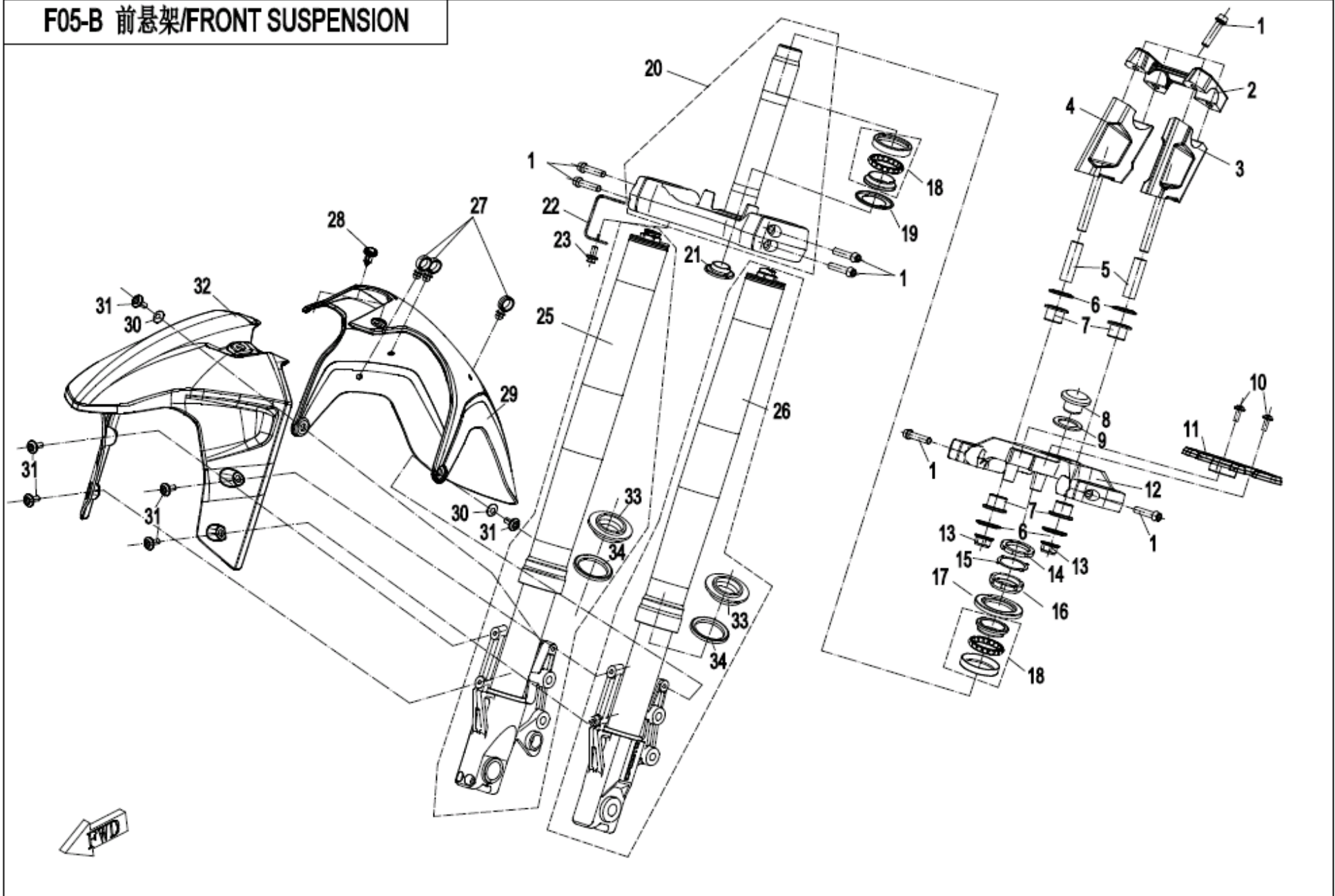
F05-A 前悬架/FRONT SUSPENSION



| Item No | Parts Number | Parts Name(EN) | Parts Name(CN) | Qty | Remark(s) |
|---------|-------------------|-------------------------------------|----------------|-----|-------------------|
| 01 | A000-050018 | INNER HEX SCREW M8x35 | 内六角圆锥头螺钉M8X35 | 10 | M8x35 |
| 02 | 6NTV-050002-2400 | PRESS COVER, HANDLEBAR | 方向把压盖 | 1 | |
| 03 | 6NT1-050010-0B200 | LH SUPPROT SEAT, HANDLEBAR | 方向把左支承座组合 | 1 | MATTE BLACK |
| 04 | 6NT1-050020-0B200 | RH SUPPROT SEAT, HANDLEBAR | 方向把右支承座组合 | 1 | MATTE BLACK |
| 05 | 6NT1-050005 | LINER, UPPER TRIPLE CLAMP | 上连板衬管 | 2 | |
| 06 | 6KJ0-050005 | WASHER | 垫圈 | 4 | |
| 07 | 6KJ0-050004 | DAMPER RUBBER, UPPER TRIPLE CLAMP | 上连板缓冲橡胶 | 4 | |
| 08 | 6NTA-050003 | LOCK SCREW, UPPER TRIPLE CLAMP | 上连板紧固螺钉 | 1 | |
| 09 | A000-050004 | WASHER | 垫圈 | 1 | 5 |
| 10 | A000-040202 | INNER HEX SCREW M5x14 | 内六角螺钉M5x14 | 2 | M5x14 |
| 11 | 6NTA-100118-0B200 | CLIP | 蝴蝶线夹 | 1 | MATTE BLACK |
| 12 | 6NT1-050001-0B200 | UPPER TRIPLE CLAMP | 上连板 | 1 | MATTE BLACK |
| 13 | 30204-102810 | NUT M10x1.25 | 螺母 | 2 | M10x1.25 |
| 14 | A000-050006 | LOCK NUT 1 | 锁紧螺母 I | 1 | |
| 15 | A000-050008 | WASHER | 垫圈 | 1 | 5 |
| 16 | A000-050007 | LOCK NUT 2 | 锁紧螺母 II | 1 | |
| 17 | A000-050009 | DUST CAP, UPPER RETAINER | 上挡圈防尘盖 | 1 | |
| 18 | A000-050100-10000 | STEERING BEARING ASSY | 转向轴承组合 | 2 | |
| 19 | A000-050400 | ANTI-DUST CAP, LOWER RETAINING RING | 下挡圈防尘盖组件 | 1 | |
| 20 | 6NTG-050300-0B200 | LOWER TRIPLE CLAMP, FRONT FORK | 下连板组合 | 1 | MATTE BLACK |
| 21 | A000-050011 | RUBBER PLUG 2 | 橡胶塞 II | 1 | |
| 23 | 6NTC-050600 | FRONT RH SHOCK ABSORBER | 前右减震器 | 1 | GOLDEN |
| 24 | 6NTC-050500 | FRONT LH SHOCK ABSORBER | 前左减震器 | 1 | GOLDEN |
| 25 | A000-050015 | WIRE CLIP, FRONT BRAKE FLUID HOSE | 前制动油管夹 | 3 | |
| 26 | 9060-040310 | PLASTIC CLIPS | 塑料卡组合 | 2 | |
| 27 | 6NT1-050004-0B800 | REAR PART, FRONT FENDER | 前泥板后体 | 1 | MATTE PEARL BLACK |
| 28 | 6NTG-050002 | NYLON GASKET Dia 8 | 尼龙垫圈Φ8 | 2 | |
| 29 | 6NQ#-000205-6001 | MOUNTING SCREW, CHAIN GUARD | 链条护卡安装螺钉 | 6 | |
| 30 | 6NT1-050003-0BM00 | FRONT PART, FRONT FENDER | 前泥板前体 | 1 | NEBULA BLACK |
| 31 | 6NT1-050510 | DUST SEAL, FRONT SHOCK ABSORBER | 前减震器防尘罩 | 2 | |
| 32 | 6NT1-050520 | OIL SEAL, FRONT SHOCK ABSORBER | 前减震器油封 | 2 | |

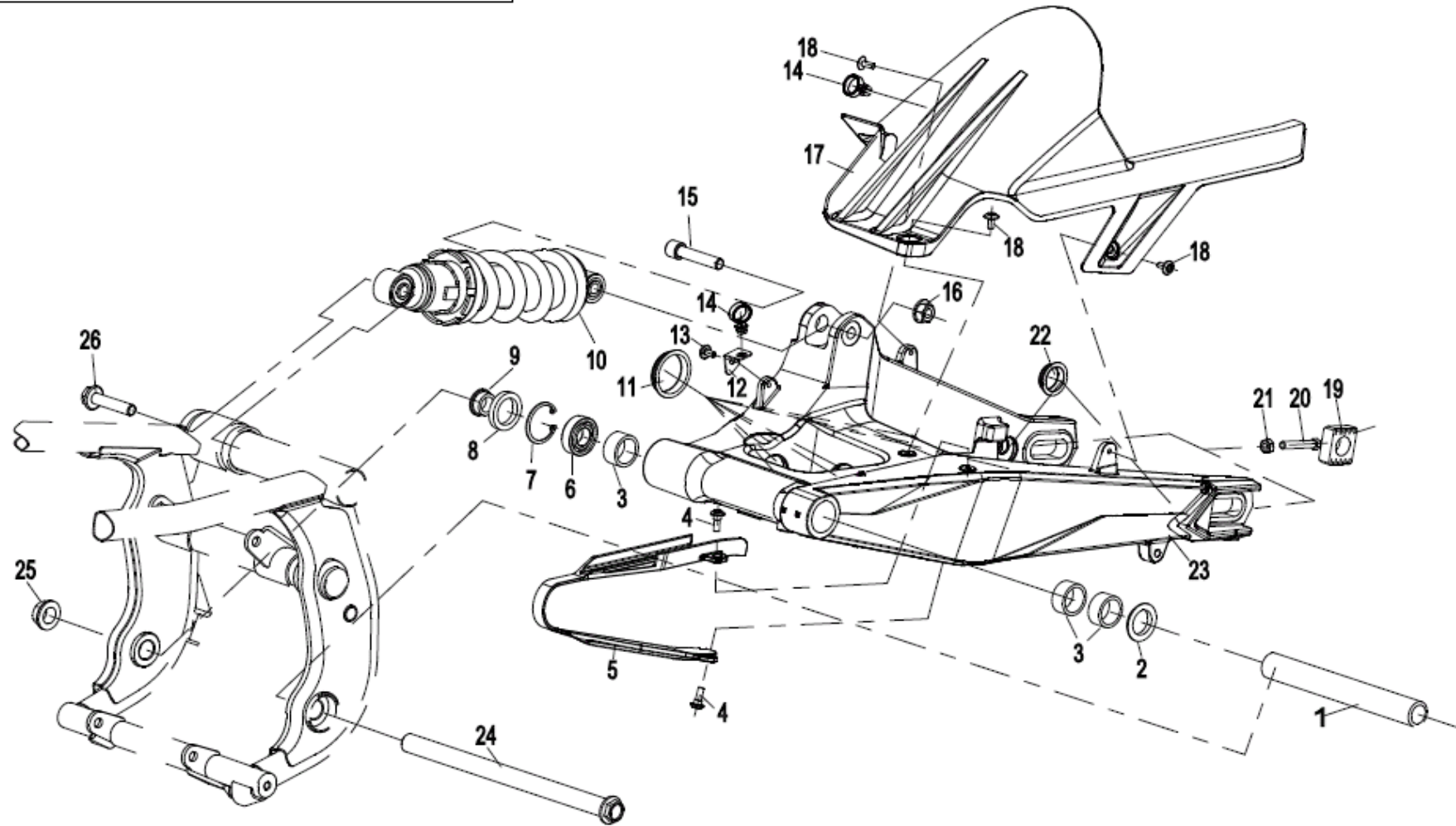
F05-B 前悬架(低配) FRONT SUSPENSION (LOW CONFIGURATION)

F05-B 前悬架/FRONT SUSPENSION



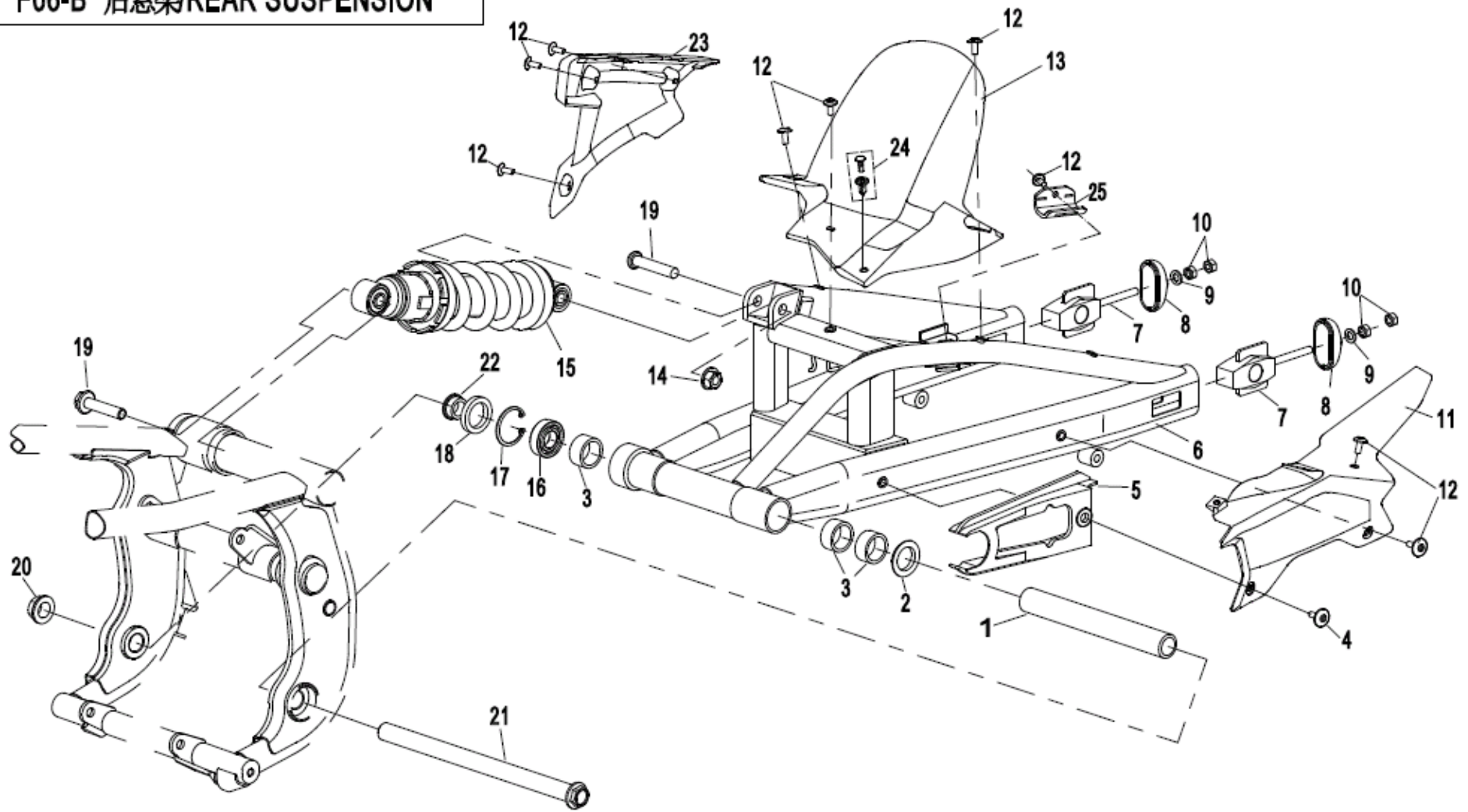
| Item No | Parts Number | Parts Name(EN) | Parts Name(CN) | Qty | Remark(s) |
|---------|-------------------|-------------------------------------|----------------|-----|-------------------------------------|
| 01 | A000-050018 | INNER HEX SCREW M8x35 | 内六角圆锥头螺钉M8X35 | 10 | M8x35 |
| 02 | 6NT1-050002-0B200 | PRESS COVER, HANDLEBAR | 方向把压盖 | 1 | MATTE BLACK |
| 02 | 6NTV-050002-2400 | PRESS COVER, HANDLEBAR | 方向把压盖 | 1 | |
| 03 | 6NT1-050010-0B200 | LH SUPPROT SEAT, HANDLEBAR | 方向把左支承座组合 | 1 | MATTE BLACK |
| 04 | 6NT1-050020-0B200 | RH SUPPROT SEAT, HANDLEBAR | 方向把右支承座组合 | 1 | MATTE BLACK |
| 05 | 6NT1-050005 | LINER, UPPER TRIPLE CLAMP | 上连板衬管 | 2 | |
| 06 | 6KJ0-050005 | WASHER | 垫圈 | 4 | |
| 07 | 6KJ0-050004 | DAMPER RUBBER, UPPER TRIPLE CLAMP | 上连板缓冲橡胶 | 4 | |
| 08 | 6NTA-050003 | LOCK SCREW, UPPER TRIPLE CLAMP | 上连板紧固螺钉 | 1 | |
| 09 | A000-050004 | WASHER | 垫圈 | 1 | 5 |
| 10 | A000-040202 | INNER HEX SCREW M5x14 | 内六角螺钉M5x14 | 2 | M5x14 |
| 11 | 6NTA-100118-0B200 | CLIP | 蝴蝶线夹 | 1 | MATTE BLACK |
| 12 | 6NT1-050001-0B200 | UPPER TRIPLE CLAMP | 上连板 | 1 | MATTE BLACK |
| 13 | 30204-102810 | NUT M10x1.25 | 螺母 | 2 | M10x1.25 |
| 14 | A000-050006 | LOCK NUT 1 | 锁紧螺母 I | 1 | |
| 15 | A000-050008 | WASHER | 垫圈 | 1 | 5 |
| 16 | A000-050007 | LOCK NUT 2 | 锁紧螺母 II | 1 | |
| 17 | A000-050009 | DUST CAP, UPPER RETAINER | 上挡圈防尘盖 | 1 | |
| 18 | A000-050100 | STEERING BEARING ASSY | 转向轴承组合 | 2 | |
| 18 | A000-050100-10000 | STEERING BEARING ASSY | 转向轴承组合 | 2 | |
| 19 | A000-050400 | ANTI-DUST CAP, LOWER RETAINING RING | 下挡圈防尘盖组件 | 1 | |
| 20 | 6NTG-050300-0B200 | LOWER TRIPLE CLAMP, FRONT FORK | 下连板组合 | 1 | MATTE BLACK |
| 21 | A000-050011 | RUBBER PLUG 2 | 橡胶塞 II | 1 | |
| 23 | 30006-060010810 | BOLT M6x10 | 螺栓 | 1 | GB5789 M6x10 TRIVALENT CHROMIUM 8.8 |
| 25 | 6NTC-050600 | FRONT RH SHOCK ABSORBER | 前右减震器 | 1 | GOLDEN |
| 26 | 6NTC-050500 | FRONT LH SHOCK ABSORBER | 前左减震器 | 1 | GOLDEN |
| 27 | A000-050015 | WIRE CLIP, FRONT BRAKE FLUID HOSE | 前制动油管夹 | 3 | |
| 28 | 9060-040310 | PLASTIC CLIPS | 塑料卡组合 | 2 | |
| 29 | 6NT1-050004-0B800 | REAR PART, FRONT FENDER | 前泥板后体 | 1 | MATTE PEARL BLACK |
| 30 | 6NTG-050002 | NYLON GASKET Dia 8 | 尼龙垫圈Φ8 | 2 | |
| 31 | 6NQ#-000205-6001 | MOUNTING SCREW, CHAIN GUARD | 链条护卡安装螺钉 | 6 | |
| 32 | 6NT1-050003-0BM00 | FRONT PART, FRONT FENDER | 前泥板前体 | 1 | NEBULA BLACK |
| 33 | 6NT1-050510 | DUST BOOTS, FRONT SHOCK ABSORBER | 前减震器防尘罩 | 2 | |
| 34 | 6NT1-050520 | OIL SEAL, FRONT SHOCK ABSORBER | 前减震器油封 | 2 | |

F06-A 后悬架/REAR SUSPENSION



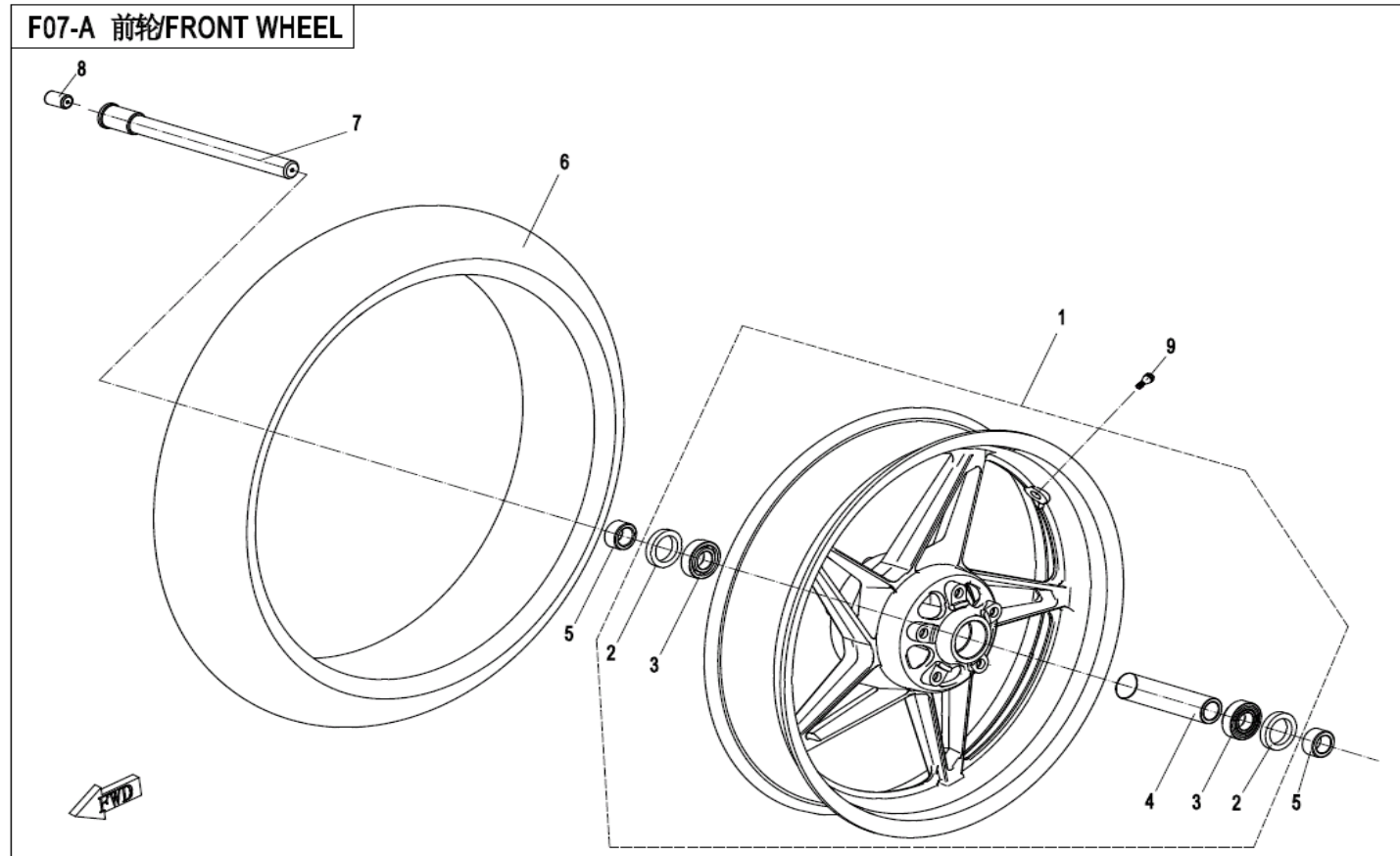
| Item No | Parts Number | Parts Name(EN) | Parts Name(CN) | Qty | Remark(s) |
|---------|-------------------|-----------------------------------|----------------|-----|--|
| 01 | A000-060005 | SLEEVE, REAR SWING ARM | 后摇架内衬管 | 1 | |
| 02 | A000-060006 | ANTI-DUST RING | 防尘圈 | 1 | |
| 03 | 30403-02800 | NEEDLE BEARING | 滚针轴承 | 3 | HK28x35x16 |
| 04 | 6NQ#-000205-6001 | MOUNTING SCREW, CHAIN GUARD | 链条护卡安装螺钉 | 2 | |
| 05 | 6NT1-060005 | CHAIN GUARD | 链条护卡 | 1 | |
| 06 | 30400-02004 | BEARING | 滚动轴承 | 1 | 6004-2RZ |
| 07 | 30800-04205 | CIRCLIP FOR HOLE 42 | 孔用弹性挡圈42 | 1 | 42 A-TYPE |
| 08 | 30500-030800N | OIL SEAL | 油封 | 1 | FB30x42x 7 |
| 09 | A000-060007 | RH BUSHING, REAR SWING ARM | 后摇架右衬套 | 1 | |
| 10 | 6NT1-060100-0V000 | REAR SHOCK ABSORBER | 后减震器 | 1 | WHITE |
| 10 | 6NT1-060100-0B200 | REAR SHOCK ABSORBER | 后减震器 | 1 | MATTE BLACK |
| 11 | 6NT1-060002 | DUST CAP, BIG | 大防尘盖 | 7 | |
| 12 | 6NT1-060006 | SEAT, OIL PIPELINE | 油管线夹座 | 1 | |
| 13 | 30006-060010810 | BOLT M6x10 | 螺栓 | 1 | GB5789 M6x10 TRIVALENT CHROMIUM 8.8 |
| 14 | A000-050015 | WIRE CLIP, FRONT BRAKE FLUID HOSE | 前制动油管夹 | 2 | |
| 15 | 6NT1-060001 | REAR SHOCK ABSORBER BOLT | 后减震器安装螺栓 | 1 | |
| 16 | 30204-122810 | NUT M12x1.25 | 螺母 | 1 | M12x1.25 |
| 17 | 6NT1-060302 | FENDER, REAR SWING ARM | 后摇架挡泥板 | 1 | |
| 18 | A000-040702 | INNER HEX SCREW M6x12 | 内六角螺钉M6x12 | 3 | M6x12 |
| 19 | 6NT1-060004 | CHAIN ADJUSTOR | 链条调节器 | 2 | |
| 20 | 30004-080050810 | BOLT M8x50 | 螺栓 | 2 | M8x50 |
| 21 | 30200-080810 | NUT M8 | 螺母 | 2 | M8 |
| 22 | 6NT1-060003 | DUST CAP, SMALL | 小防尘盖 | 2 | |
| 23 | 6NT1-060301-10000 | REAR FORK | 后平叉 | 1 | |
| 24 | A000-060003 | SHAFT, REAR FORK | 后叉轴 | 1 | |
| 25 | A000-060004 | NUT M20x1.5 | 螺母 | 1 | M20x1.5 |
| 26 | A000-060011 | HEX FLANGE BOLT | 六角法兰面螺栓 | 1 | |

F06-B 后悬架/REAR SUSPENSION



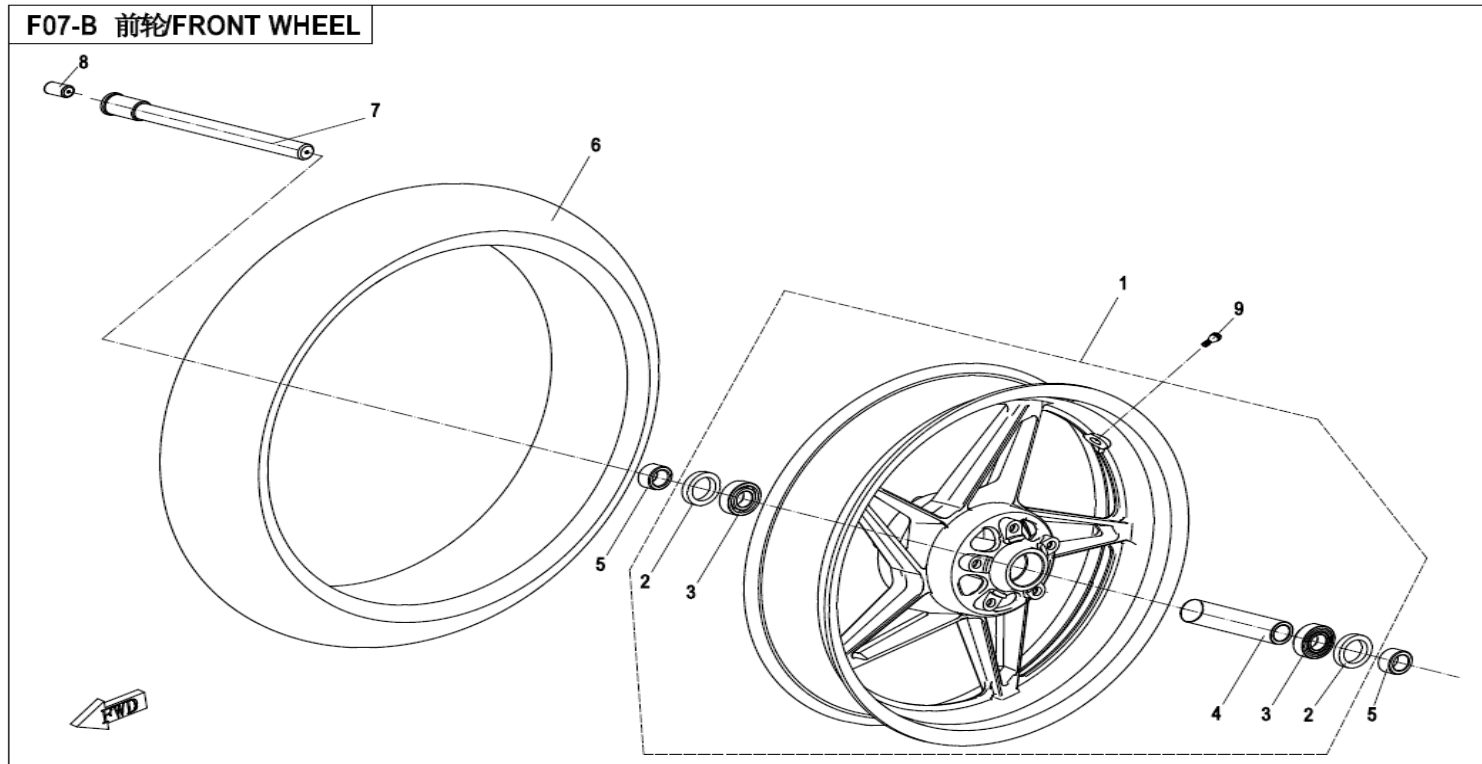
| Item No | Parts Number | Parts Name(EN) | Parts Name(CN) | Qty | Remark(s) |
|---------|-------------------|--------------------------------|----------------|-----|----------------|
| 01 | A000-060005 | SLEEVE, REAR SWING ARM | 后摇架内衬管 | 1 | |
| 02 | A000-060006 | ANTI-DUST RING | 防尘圈 | 1 | |
| 03 | 30403-02800 | NEEDLE BEARING | 滚针轴承 | 3 | HK28x35x16 |
| 04 | 6NQ#-000205-6001 | MOUNTING SCREW, CHAIN GUARD | 链条护卡安装螺钉 | 1 | |
| 05 | A000-060001 | CHAIN GUARD | 链条护卡 | 1 | |
| 06 | 6NT1-060301-10000 | REAR SWING ARM | 后摇架焊接组合 | 1 | PLASTIC POWDER |
| 07 | A000-060210 | ADJUSTER, CHAIN | 链条调节器组件 | 2 | |
| 08 | A000-060201-0BB0 | CAP, CHAIN ADJUSTER | 链条调节器挡板 | 2 | PLASTIC POWDER |
| 09 | 30306-080112 | WASHER | 垫圈 | 2 | 8 |
| 10 | 30200-080810 | NUT M8 | 螺母 | 4 | M8 |
| 11 | 6NTG-060008-10000 | LH PANEL, REAR FORK | 后摇架左护板 | 1 | |
| 12 | 6NQ#-000206-6001 | BOLT M6x16 | 内六角螺钉M6X16 | 9 | M6x16 |
| 13 | 6NQ0-060011-10000 | UPPER PANEL, REAR FORK | 后摇架上护板 | 1 | |
| 14 | 30204-122810 | NUT M12x1.25 | 螺母 | 1 | M12x1.25 |
| 15 | 6NT1-060100-0B200 | REAR SHOCK ABSORBER | 后减震器 | 1 | MATTE BLACK |
| 16 | 30400-02004 | BEARING | 滚动轴承 | 1 | 6004-2RZ |
| 17 | 30800-04205 | CIRCLIP FOR HOLE 42 | 孔用弹性挡圈42 | 1 | 42 A-TYPE |
| 18 | 30500-030800N | OIL SEAL | 油封 | 1 | FB30x42x 7 |
| 19 | A000-060011 | HEX FLANGE BOLT | 六角法兰面螺栓 | 2 | |
| 20 | A000-060004 | NUT M20x1.5 | 螺母 | 1 | M20x1.5 |
| 21 | A000-060003 | SHAFT, REAR FORK | 后叉轴 | 1 | |
| 22 | A000-060007 | RH BUSHING, REAR SWING ARM | 后摇架右衬套 | 1 | |
| 23 | 6NTG-060009-10000 | RH PANEL, REAR FORK | 后摇架右护板 | 1 | |
| 24 | 9060-040310 | PLASTIC CLIPS | 塑料卡组合 | 1 | |
| 25 | 6NQ0-060012 | PROTECTING MAT, REAR SWING ARM | 后摇架护管垫 | 1 | |

F07-A 前轮(高配) FRONT WHEEL (HIGH CONFIGURATION)



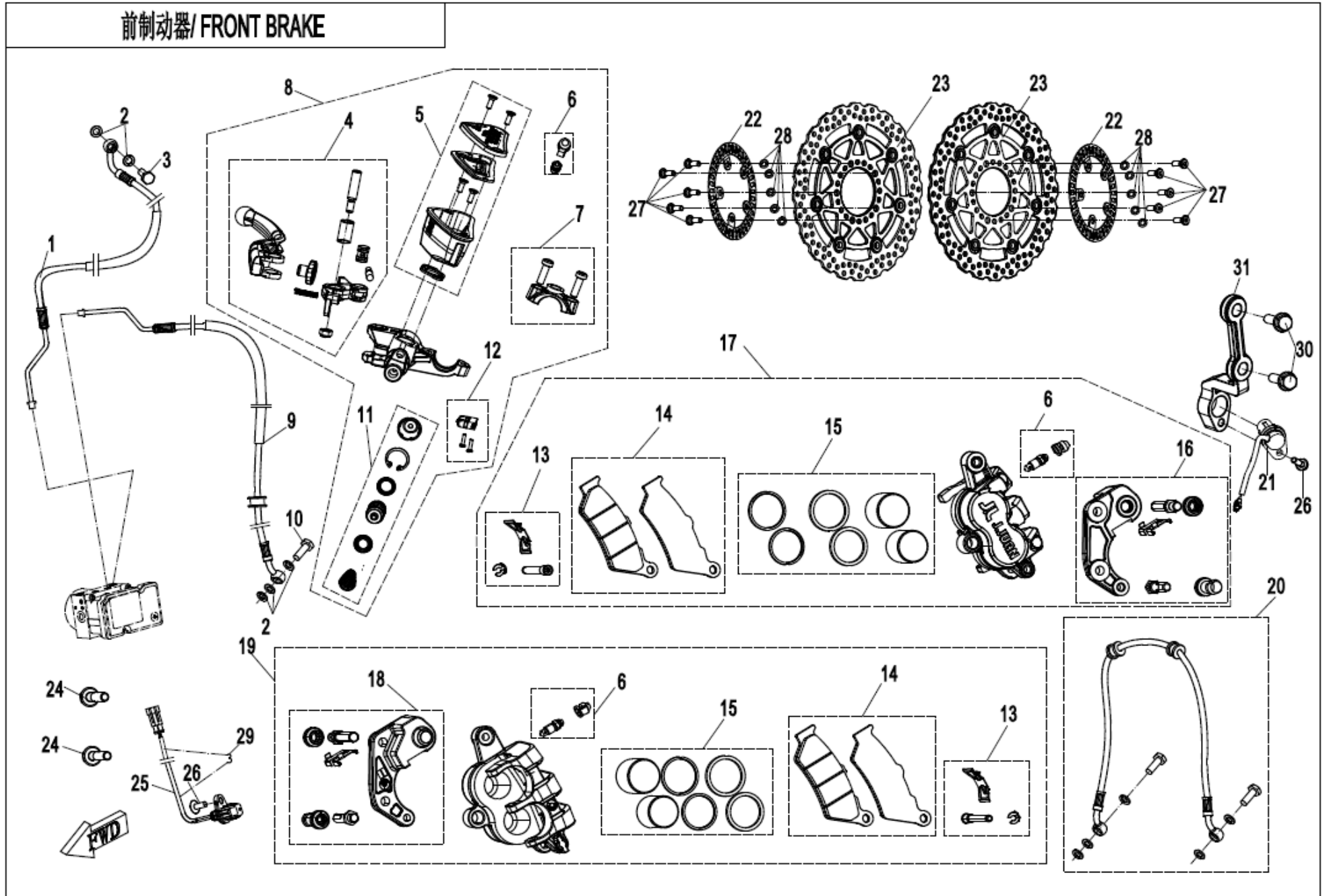
| Item No | Parts Number | Parts Name(EN) | Parts Name(CN) | Qty | Remark(s) |
|---------|------------------------|-------------------------------|----------------|-----|---|
| 01 | 6NTV-070100-6003-0B200 | FRONT RIM ASSY | 前轮辋组合 | 1 | MATTE BLACK |
| 02 | 30501-030800N | OIL SEAL | 油封 | 2 | FB30x42x7 |
| 03 | 30400-02003 | BEARING | 滚动轴承 | 2 | 6004-2RS |
| 04 | A000-070004 | MIDDLE BUSHING, FRONT RIM | 前轮辋中隔套 | 1 | |
| 05 | A000-070002 | BUSHING, FRONT AXLE | 前轮轴衬套 | 2 | |
| 06 | 30705-1719 | TIRE | 轮胎 | 1 | GB/T2983 120/70ZR17M/C(58W), METZELER, WITH 3C, DOT, E-mark |
| 07 | A000-070001 | AXLE, FRONT WHEEL | 前轮轴 | 1 | WITH KYB SHOCK ABSORBER |
| 08 | A000-050016 | RUBBER PLUG, FRONT WHEEL AXLE | 前轮轴橡胶塞 | 1 | |
| 09 | 5190-070030-1000 | VALVE, INFLATION | 气门嘴 | 1 | |

F07-B 前轮(低配) FRONT WHEEL (LOW CONFIGURATION)



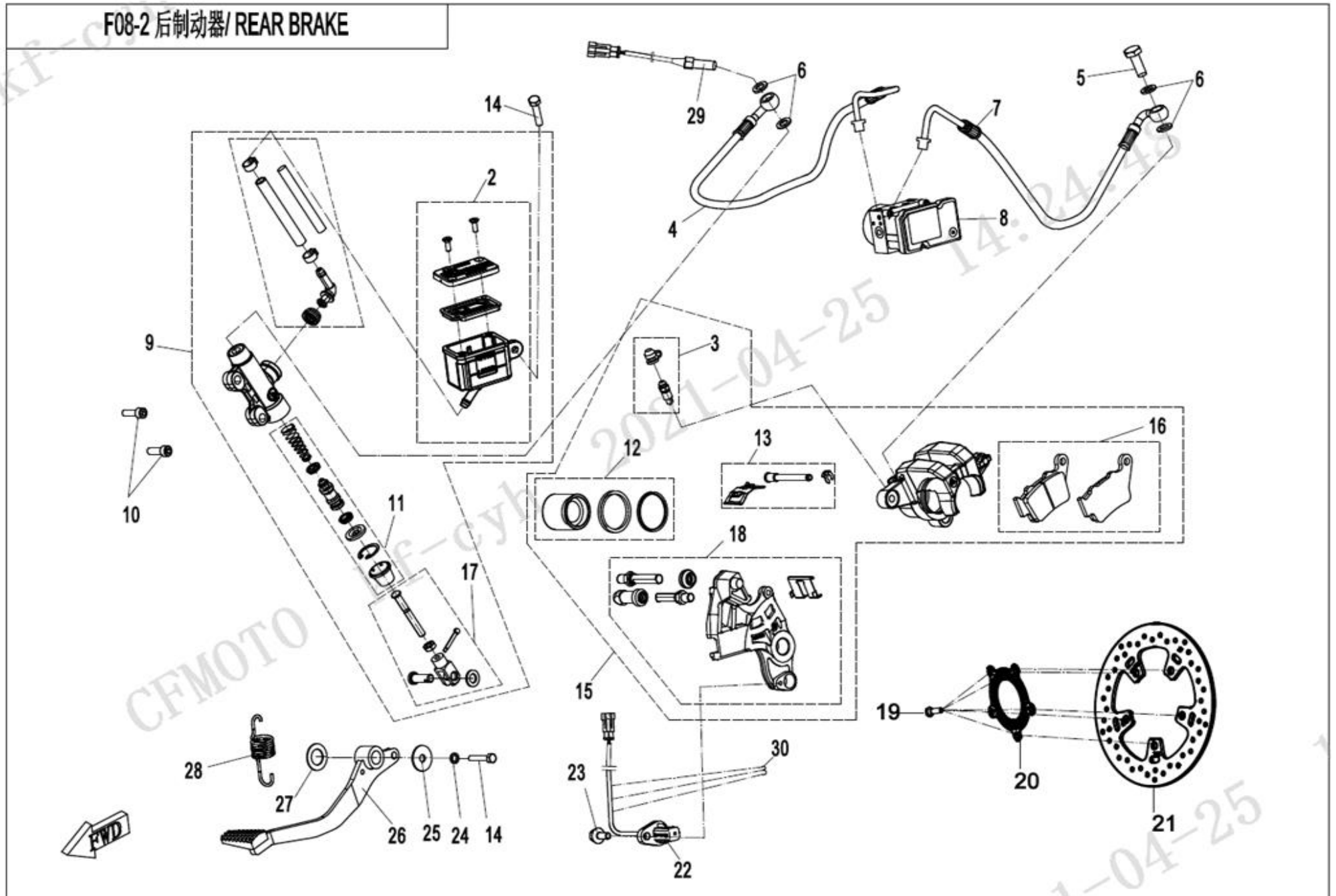
| Item No | Parts Number | Parts Name(EN) | Parts Name(CN) | Qty | Remark(s) |
|---------|------------------------|-------------------------------|----------------|-----|---|
| 01 | 6NTV-070100-6003-0B200 | FRONT RIM ASSY | 前轮辋组合 | 1 | MATTE BLACK |
| 02 | 30501-030800N | OIL SEAL | 油封 | 2 | FB30x42x7 |
| 03 | 30400-02003 | BEARING | 滚动轴承 | 2 | 6004-2RS |
| 04 | A000-070004 | MIDDLE BUSHING, FRONT RIM | 前轮辋中隔套 | 1 | |
| 05 | A000-070002 | BUSHING, FRONT AXLE | 前轮轴衬套 | 2 | |
| 06 | 30705-1741 | TIRE | 轮胎 | 1 | |
| 06 | 30705-1719 | TIRE | 轮胎 | 1 | GB/T2983 120/70ZR17M/C(58W), METZELER, WITH 3C, DOT, E-mark |
| 06 | 30705-1715 | TIRE | 轮胎 | 1 | GB/T2983 120/70ZR17M/C(58W), CST, WITH 3C, E4, DOT |
| 07 | A000-070001 | AXLE, FRONT WHEEL | 前轮轴 | 1 | WITH KYB SHOCK ABSORBER |
| 08 | A000-050016 | RUBBER PLUG, FRONT WHEEL AXLE | 前轮轴橡胶塞 | 1 | |
| 09 | 5190-070030-1000 | VALVE, INFLATION | 气门嘴 | 1 | |

前制动器/ FRONT BRAKE



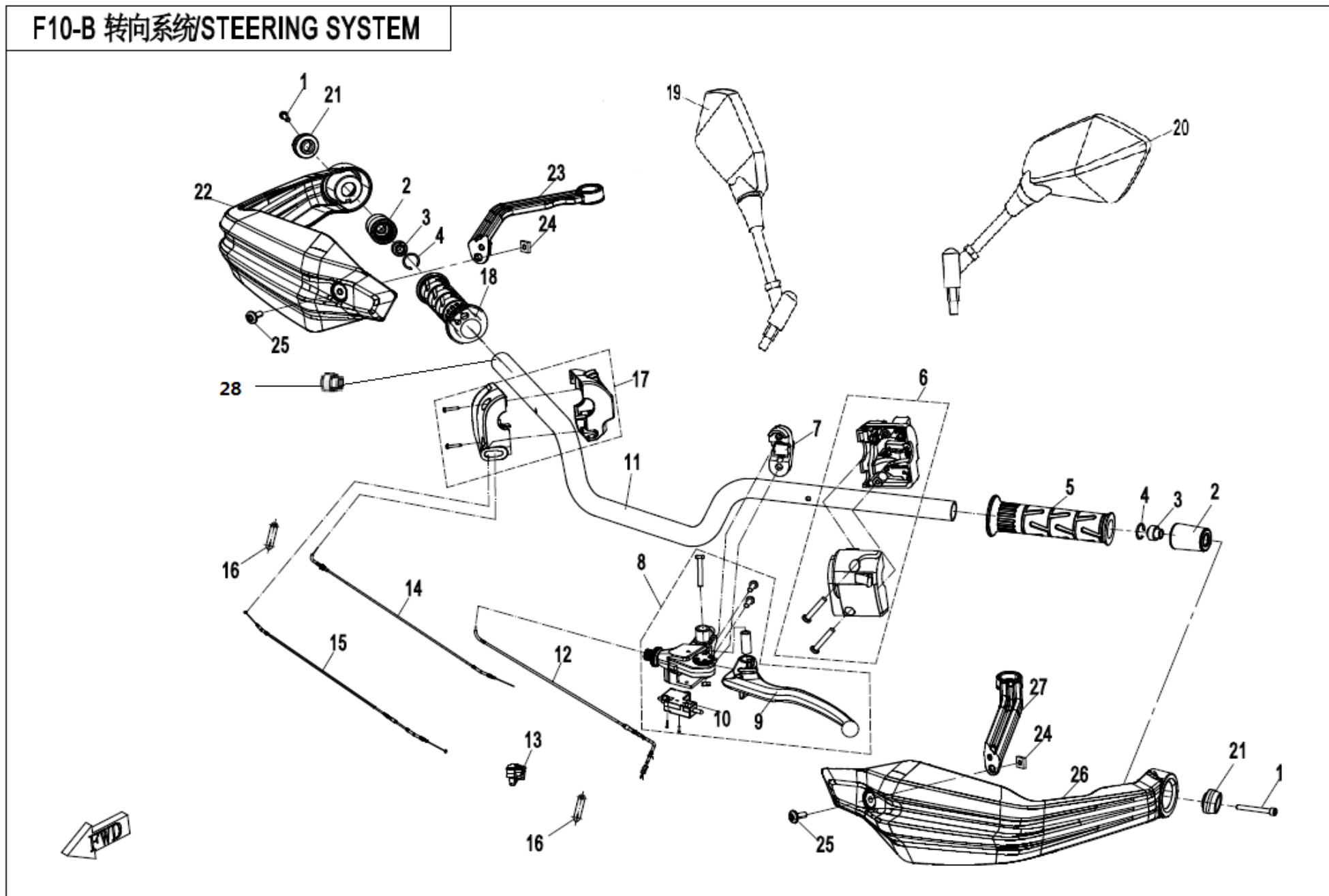
| Item No | Parts Number | Parts Name(EN) | Parts Name(CN) | Qty | Remark(s) |
|---------|---------------------|----------------------------------|----------------|-----|-------------|
| 01 | 6NT1-081010 | FLUID OUTLET PIPE, FRONT BRAKE | 前制动出油管 | 1 | |
| 02 | A000-080102-2000 | WASHER | 垫圈 | 5 | |
| 03 | A000-080101-2000 | BANJO BOLT 1 | 过油螺栓 I | 1 | |
| 04 | A000-0801J0 | FRONT BRAKE LEVER | 前制动手柄组合 | 1 | |
| 05 | A000-0801N0 | FLUID RESERVOIR, FRONT BRAKE | 前制动主泵油杯组合 | 1 | |
| 06 | A000-0801W0 | BOLT PLUG, OIL DRAIN | 放油螺塞组合 | 3 | |
| 07 | A000-0801M0 | HALF-COVER, FRONT BRAKE PUMP | 前制动主泵半盖组合 | 1 | |
| 08 | A000-080110-2000 | MASTER CYLINDER, FRONT BRAKE | 前制动泵组合 | 1 | |
| 09 | 6NT1-081020 | FLUID INLET PIPE, FRONT BRAKE | 前制动进油管 | 1 | |
| 10 | A000-080103-2000 | BANJO BOLT 2 | 过油螺栓 II | 1 | |
| 11 | A000-0801K0 | PISTON, FRONT BRAKE PUMP | 前制动主泵活塞组合 | 1 | |
| 12 | A000-0801L0 | SWITCH, FRONT BRAKE | 前制动开关组合 | 1 | |
| 13 | A000-0801H0 | GUIDE ROD, FRONT BRAKE CALIPER | 前制动钳导杆组合 | 2 | |
| 14 | A000-0801C0 | PAD, FRONT BRAKE | 前制动蹄片组合 | 2 | |
| 15 | A000-0801F0 | PISTON, FRONT BRAKE CALIPER | 前制动钳活塞组合 | 2 | |
| 16 | A000-0801E0 | BRACKET, FRONT LH BRAKE CALIPER | 前左制动钳安装支架组合 | 1 | |
| 17 | A000-080150-2000 | FRONT BRAKE CALIPER, LH | 前左制动钳组合 | 1 | |
| 18 | A000-0801G0 | BRACKET, FRONT BRAKE CALIPER(RH) | 前右制动钳安装支架组合 | 1 | |
| 19 | A000-080170-2000 | FRONT BRAKE CALIPER, RH | 前右制动钳组合 | 1 | |
| 20 | A000-0801Q0 | LOWER BRAKE HOSE | 制动下油管组合 | 1 | |
| 21 | 6KJ0-150400 | SPEED SENSOR | 车速传感器 | 1 | |
| 22 | 6NTG-080008-10000 | FRONT GEAR RING | 前齿圈 | 2 | |
| 23 | A000-080010 | FRONT BRAKE DISC | 前制动盘组合 | 2 | |
| 24 | 30006-102045810 | BOLT M10x1.25x45 | 螺栓 | 2 | M10x1.25x45 |
| 25 | 6KMV-080004-8500-M1 | SPEED SENSOR | 轮速传感器 | 1 | |
| 26 | 30006-060016810 | BOLT M6x16 | 螺栓 | 2 | M6x16 |
| 27 | A000-080003-10000 | BRAKE DISC BOLT | 制动盘螺栓 | 10 | |
| 28 | A000-080008-10000 | WASHER, FRONT GEAR RING | 前齿圈垫片 | 10 | |
| 29 | 6KJ0-080003-00001 | CLIP, BRAKE HOSE | 制动油管卡 | 2 | |
| 30 | 30006-102055810 | BOLT M10x1.25x55 | 螺栓 | 2 | M10x1.25x55 |
| 31 | 6NQ0-050017 | LH SEAT, SENSOR | 传感器左安装座 | 1 | |

F08-2 后制动器/ REAR BRAKE



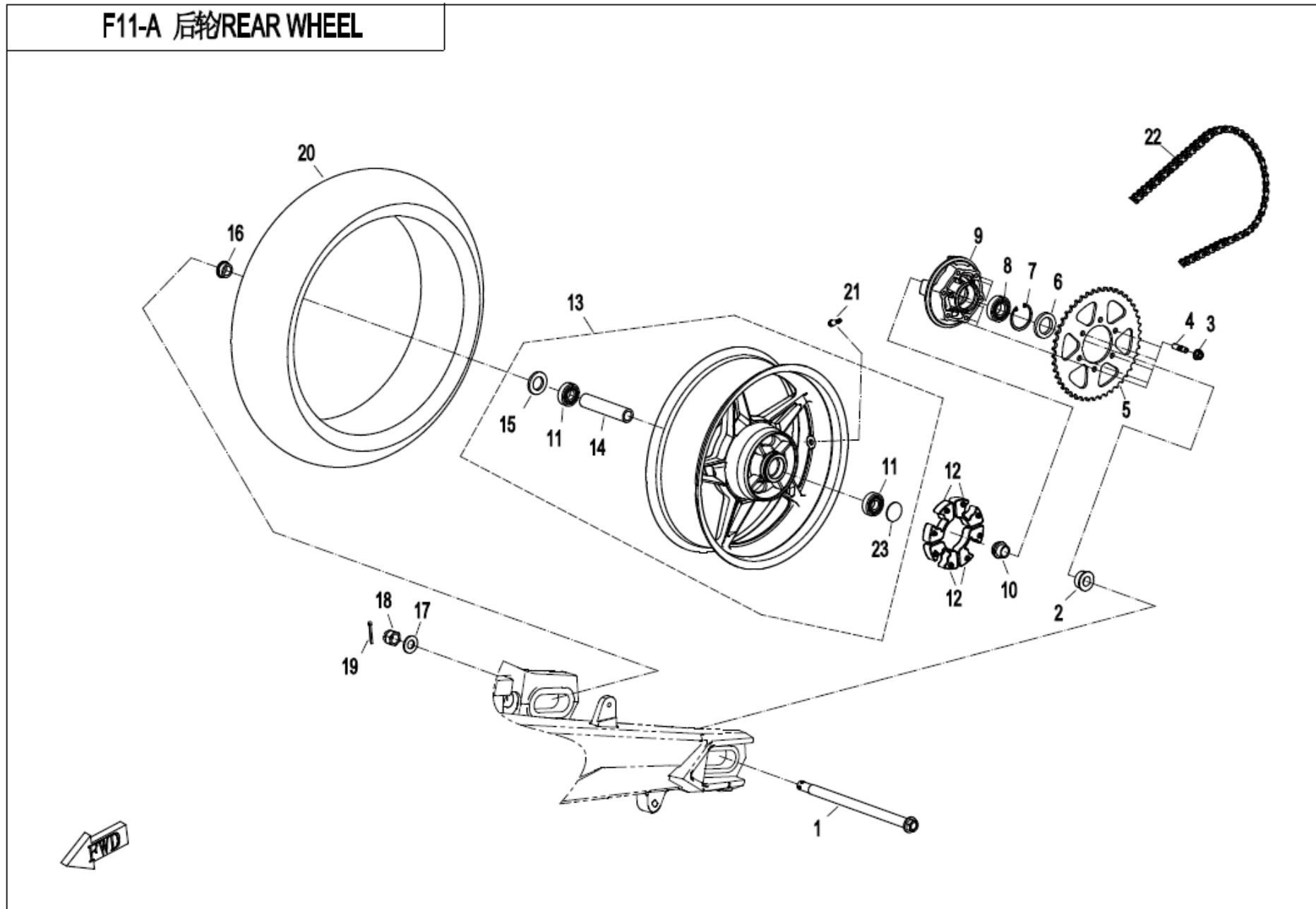
| Item No | Parts Number | Parts Name(EN) | Parts Name(CN) | Qty | Remark(s) |
|---------|---------------------|----------------------------------|----------------|-----|-----------|
| 02 | A000-0802C0 | FLUID RESERVOIR, REAR BRAKE PUMP | 后制动主泵油杯组合 | 1 | |
| 03 | A000-0801W0 | BOLT PLUG, OIL DRAIN | 放油螺塞组合 | 1 | |
| 04 | 6NT1-081030 | FLUID OUTLET PIPE, REAR BRAKE | 后制动出油管 | 1 | |
| 05 | A000-080101-2000 | BANJO BOLT 1 | 过油螺栓 I | 1 | |
| 06 | A000-080102-2000 | WASHER | 垫圈 | 4 | |
| 07 | 6NT1-081040 | FLUID INLET PIPE, REAR BRAKE | 后制动进油管 | 1 | |
| 08 | A000-081400 | MAB | MAB | 1 | |
| 09 | 6NTG-081050 | MASTER CYLINDER, REAR BRAKE | 后制动主泵组合 | 1 | |
| 10 | 30102-080025810 | SCREW M8x25 | 螺钉 | 2 | M8x25 |
| 11 | A000-0802G0 | PISTON, REAR BRAKE PUMP | 后制动主泵活塞组合 | 1 | |
| 12 | A000-0802E0 | PISTON, REAR BRAKE CALIPER | 后制动钳活塞组合 | 1 | |
| 13 | A000-0802H0 | GUIDE ROD, REAR BRAKE CALIPER | 后制动钳导杆组合 | 1 | |
| 14 | 30006-060016810 | BOLT M6x16 | 螺栓 | 2 | M6x16 |
| 15 | 6NTG-081060 | REAR BRAKE CALIPER | 后制动钳组合 | 1 | |
| 16 | A000-0801D0 | REAR BRAKE PAD | 后制动蹄片组合 | 1 | |
| 17 | A000-0802F0 | PUSH BRACKET, REAR BRAKE PUMP | 后制动主泵推杆支架组合 | 1 | |
| 18 | 6NTJ-0802D0 | BRACKET, REAR BRAKE CALIPER | 后制动钳安装支架组合 | 1 | |
| 19 | A000-080003-10000 | BRAKE DISC BOLT | 制动盘螺栓 | 4 | |
| 20 | 6NTG-080009 | REAR GEAR RING | 后齿圈 | 1 | |
| 21 | 6NTG-080002-30000 | REAR BRAKE DISC | 后制动盘 | 1 | |
| 22 | 6KMV-080004-8500-M1 | SPEED SENSOR | 轮速传感器 | 1 | |
| 23 | 30006-060012810 | BOLT M6x12 | 螺栓M6x12 | 1 | M6x12 |
| 24 | 30303-060112 | WASHER | 垫圈 | 1 | 6 |
| 25 | A000-080006-10000 | WASHER 1 | 垫片 I | 1 | |
| 26 | 6NT1-080500 | REAR BRAKE PEDAL ASSY | 后制动踏板焊接组件 | 1 | |
| 27 | A000-080007-10000 | WASHER 2 | 垫片 II | 1 | |
| 28 | 6NTG-080005 | RETURN SPRING | 回位弹簧 | 1 | |
| 29 | 6NTG-081070 | SWITCH, REAR BRAKE LIGHT | 后制动灯开关 | 1 | |
| 30 | 6KJ0-080003-00001 | CLIP, BRAKE HOSE | 制动油管卡 | 3 | |

F10-B 转向系统/STEERING SYSTEM



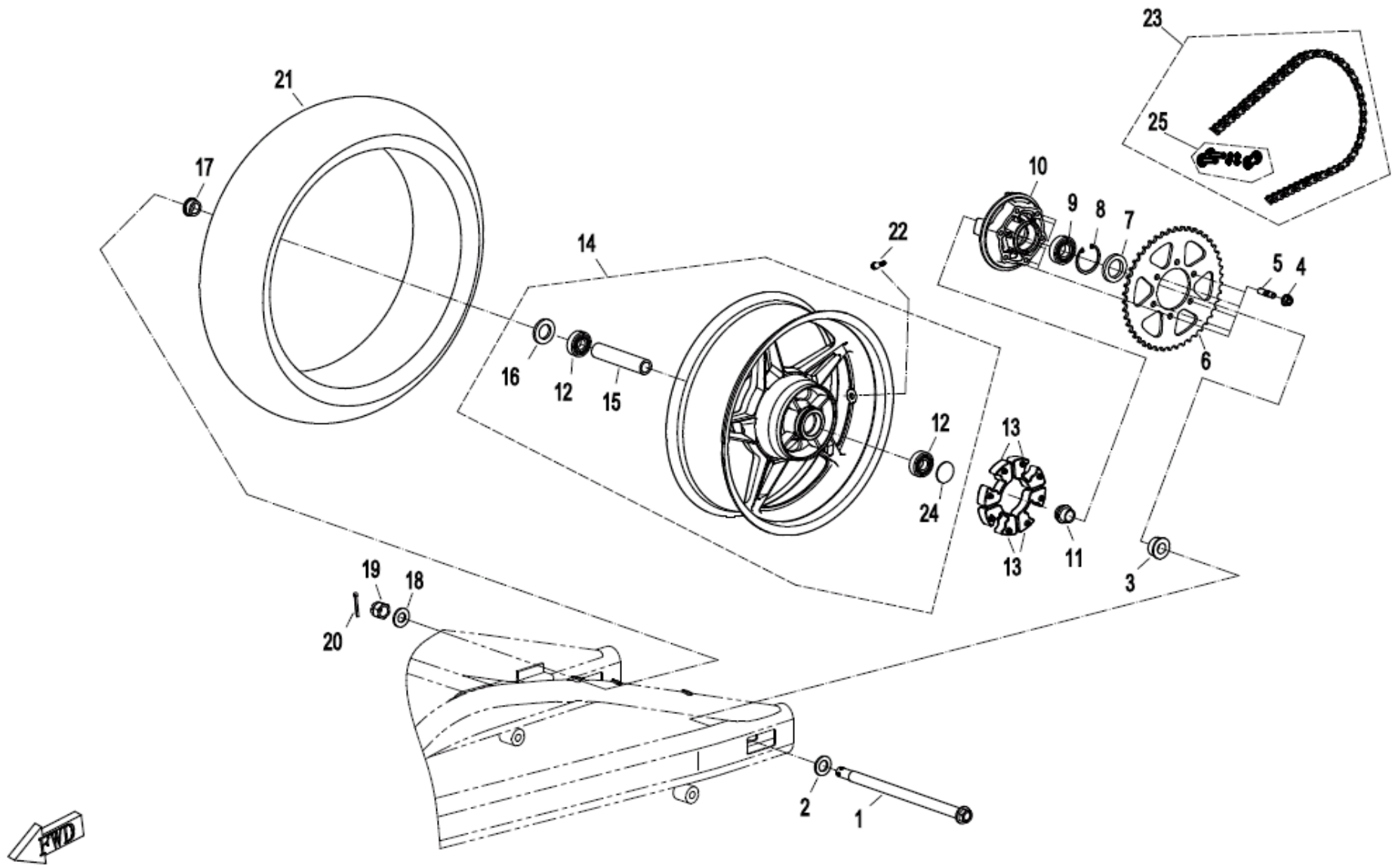
| Item No | Parts Number | Parts Name(EN) | Parts Name(CN) | Qty | Remark(s) |
|---------|-------------------|---------------------------------|----------------|-----|-----------|
| 01 | 30102-080060810 | SCREW M8x60 | 螺钉 | 2 | M8x60 |
| 02 | 6NT1-100301 | BALANCER | 平衡块 | 2 | |
| 03 | 6NT1-100310 | BUSHING, BALANCER | 平衡块销套组件 | 2 | |
| 04 | 30805-02005 | CIRCLIP 20 | 孔用钢丝挡圈20 | 2 | 20 |
| 05 | A000-100001-10000 | LH HAND GRIP | 左握把 | 1 | |
| 06 | 6NQ0-166000-00001 | HANDLEBAR SWITCH ASSY, LH | 左手把开关总成 | 1 | |
| 07 | 6NQ0-166100 | HAZARD SWITCH | 警示开关 | 1 | |
| 08 | 6NQ0-100200-10000 | CLUTCH LEVER, LH | 左离合器扎把 | 1 | |
| 09 | 6NQ0-100205 | LH LEVER | 左手柄 | 1 | |
| 10 | A000-100220 | SWITCH ASSY | 开关组合 | 1 | |
| 11 | 6NT1-100100 | HANDLEBAR PIPE ASSY | 方向把管组件 | 1 | |
| 12 | 6NT1-100600 | CLUTCH CABLE | 离合器拉索 | 1 | |
| 14 | 6NT1-100500-10000 | ADJUSTABLE THROTTLE CABLE | 可调油门拉索 | 1 | |
| 15 | 6NT1-100400 | THROTTLE CABLE | 油门拉索 | 1 | |
| 16 | 6KJ0-100002 | CLUTCH PULL BINDING | 离合器拉索绑带 | 2 | |
| 17 | A000-167000-20002 | HANDLEBAR SWITCH ASSY, RH | 右手把开关总成 | 1 | |
| 18 | A000-100010-20000 | RH HAND GRIP ASSY | 右握把组件 | 1 | |
| 19 | A000-200300-30001 | REAR VIEW MIRROR, RH | 右后视镜总成 | 1 | |
| 20 | A000-200200-30001 | REAR VIEW MIRROR, LH | 左后视镜总成 | 1 | |
| 21 | 6NT1-100001 | BUSHING, HAND GUARD | 护手罩衬套 | 2 | |
| 22 | 6NT1-044501 | HAND GUARD, RH | 右护手罩 | 1 | |
| 23 | 6NT1-044502 | BRACKET, RH HAND GUARD | 右护手罩支架 | 1 | |
| 24 | 6KJ0-040402 | NUT M5 | 方形螺母M5 | 2 | M5 |
| 25 | 6NTA-040202 | INNER HEX SCREW M5x12 | 内六角螺钉M5x12 | 2 | M5x12 |
| 26 | 6NT1-044401 | HAND GUARD, LH | 左护手罩 | 1 | |
| 27 | 6NT1-044402 | BRACKET, LH HAND GUARD | 左护手罩支架 | 1 | |
| 28 | 6NT1-100102 | THREADED SLEEVE, HANDLEBAR PIPE | 方向把管螺套 | 1 | |

F11-A 后轮 REAR WHEEL



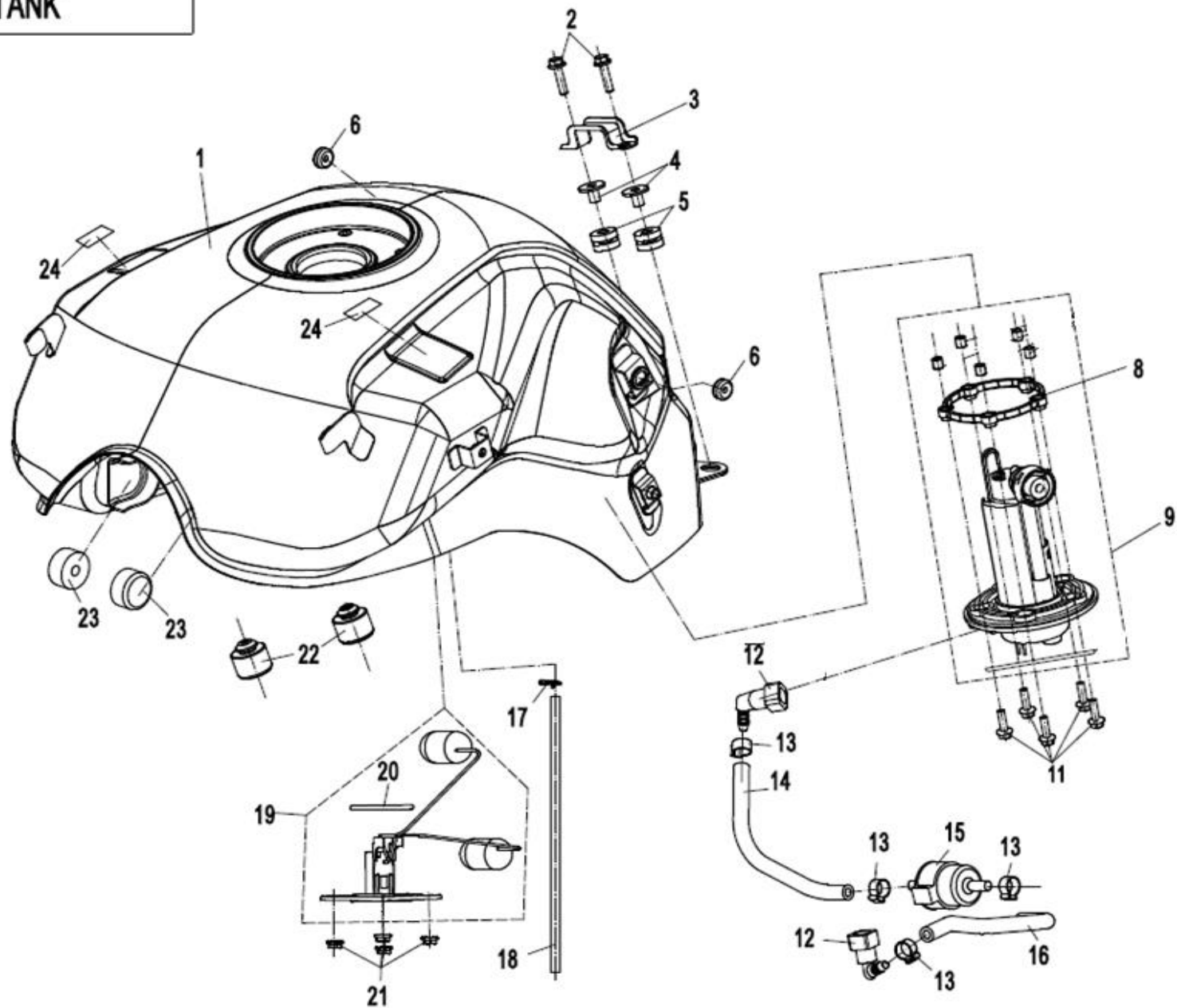
| Item No | Parts Number | Parts Name(EN) | Parts Name(CN) | Qty | Remark(s) |
|---------|-------------------|-----------------------------|----------------|-----|--|
| 01 | 6NT1-110001 | REAR WHEEL AXLE | 后轮轴 | 1 | |
| 02 | A000-110002 | LH SHAFT SLEEVE, REAR WHEEL | 后轮左轴套 | 1 | |
| 03 | 30204-102810 | NUT M10x1.25 | 螺母 | 6 | M10x1.25 |
| 04 | 30020-102025410 | STUD | 螺柱 | 6 | AM10x1.25x25 |
| 05 | A000-110004 | REAR SPROCKET | 后链轮 | 1 | |
| 06 | 30501-035800N | OIL SEAL | 油封 | 1 | FB35x52x8 |
| 07 | 30800-05205 | CIRCLIP FOR HOLE | 孔用弹性挡圈 | 1 | 52 |
| 08 | 30400-02503 | BEARING | 滚动轴承 | 1 | 6205-2RS |
| 09 | A000-110006-0B20 | SEAT, SPROCKET | 链轮座 | 1 | MATTE BLACK |
| 10 | A000-110005 | COLLAR, SPROCKET SEAT | 链轮座轴套 | 1 | |
| 11 | 30400-02001 | BEARING | 滚动轴承 | 2 | 6204-RS |
| 12 | A000-110007 | DAMPER, SPROCKET SEAT | 链轮座缓冲胶块 | 4 | |
| 13 | 6NT1-110200-1B200 | REAR RIM ASSY | 后轮辋组合 | 1 | MATTE BLACK |
| 14 | A000-110008 | CENTER SPACER, REAR RIM | 后轮辋中隔套 | 1 | |
| 15 | A000-110201 | OIL SEAL | 油封 | 1 | |
| 16 | 6NT1-110003 | WASHER, REAR WHEEL AXLE | 后轮右轴套 | 1 | |
| 17 | 6NT1-110002 | WASHER, REAR WHEEL AXLE | 后轮轴平垫 | 1 | |
| 18 | A000-110011 | NUT, REAR WHEEL | 后轮轴螺母 | 1 | |
| 19 | 30903-0403510 | COTTER PIN | 开口销 | 1 | 4.0x35 |
| 20 | 30705-1720 | TIRE | 轮胎 | 1 | 160/60ZR17M/C(69W)METZELER, ENVIRONMENTAL MERIDIAN VACUUM TIRE |
| 21 | 5190-070030-1000 | VALVE, INFLATION | 气门嘴 | 1 | |
| 22 | 3120913 | CHAIN | 链条 | 1 | |
| 23 | 30503-060000N | O-RING | O形圈 | 1 | 60x3.55 |

F11-B 后轮 REAR WHEEL



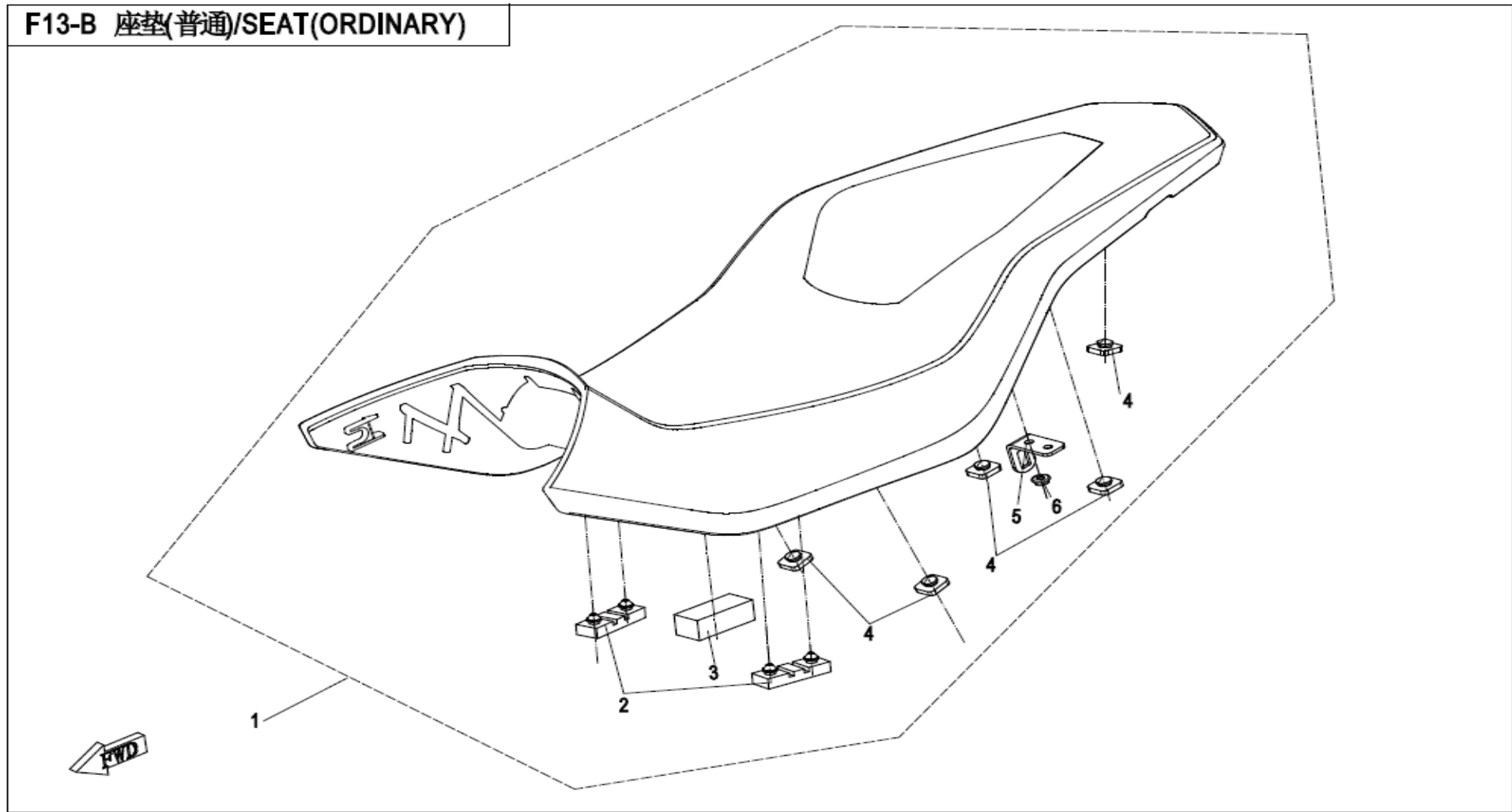
| Item No | Parts Number | Parts Name(EN) | Parts Name(CN) | Qty | Remark(s) |
|---------|-------------------|-----------------------------|----------------|-----|--|
| 01 | 6NT1-110001 | REAR WHEEL AXLE | 后轮轴 | 1 | |
| 02 | 30306-200112 | WASHER | 垫圈 | 1 | |
| 03 | A000-110002 | LH SHAFT SLEEVE, REAR WHEEL | 后轮左轴套 | 1 | |
| 04 | 30204-102810 | NUT M10x1.25 | 螺母 | 6 | M10x1.25 |
| 05 | 30020-102025410 | STUD | 螺柱 | 6 | AM10x1.25x25 |
| 06 | A000-110004 | REAR SPROCKET | 后链轮 | 1 | |
| 07 | 30501-035800N | OIL SEAL | 油封 | 1 | FB35x52x8 |
| 08 | 30800-05205 | CIRCLIP FOR HOLE | 孔用弹性挡圈 | 1 | 52 |
| 09 | 30400-02503 | BEARING | 滚动轴承 | 1 | 6205-2RS |
| 10 | A000-110006-0B20 | SEAT, SPROCKET | 链轮座 | 1 | MATTE BLACK |
| 11 | A000-110005 | COLLAR, SPROCKET SEAT | 链轮座轴套 | 1 | |
| 12 | 30400-02001 | BEARING | 滚动轴承 | 2 | 6204-RS |
| 13 | A000-110007 | DAMPER, SPROCKET SEAT | 链轮座缓冲胶块 | 4 | |
| 14 | 6NT1-110200-1B200 | REAR RIM ASSY | 后轮辋组合 | 1 | MATTE BLACK |
| 15 | A000-110008 | CENTER SPACER, REAR RIM | 后轮辋中隔套 | 1 | |
| 16 | A000-110201 | OIL SEAL | 油封 | 1 | |
| 17 | 6NT1-110003 | WASHER, REAR WHEEL AXLE | 后轮右轴套 | 1 | |
| 18 | A000-110009 | WASHER 18, REAR WHEEL AXLE | 后轮轴平垫18 | 1 | |
| 19 | A000-110011 | NUT, REAR WHEEL | 后轮轴螺母 | 1 | |
| 20 | 30903-0403510 | COTTER PIN | 开口销 | 1 | 4.0x35 |
| 21 | 30705-1702 | REAR TIRE | 后轮胎 | 1 | 160/60ZR17M/C69W, WITH 3C DOT AND EC, ENVIRONMENTAL TIRE |
| 21 | 30705-1720 | TIRE | 轮胎 | 1 | 160/60ZR17M/C(69W)METZELER, ENVIRONMENTAL MERIDIAN VACUUM TIRE |
| 21 | 30705-1716 | TIRE | 轮胎 | 1 | GB/T2983 160/60ZR17M/C(69W) |
| 22 | 5190-070030-1000 | VALVE, INFLATION | 气门嘴 | 1 | |
| 23 | 3120914 | CHAIN | 链条 | 1 | |
| 24 | 30503-060000N | O-RING | O形圈 | 1 | 60x3.55 |
| 25 | 6NT1-110310 | RIVETED BUCKLE, CHAIN | 链条铆接扣 | 1 | |

F12 油箱 FUEL TANK



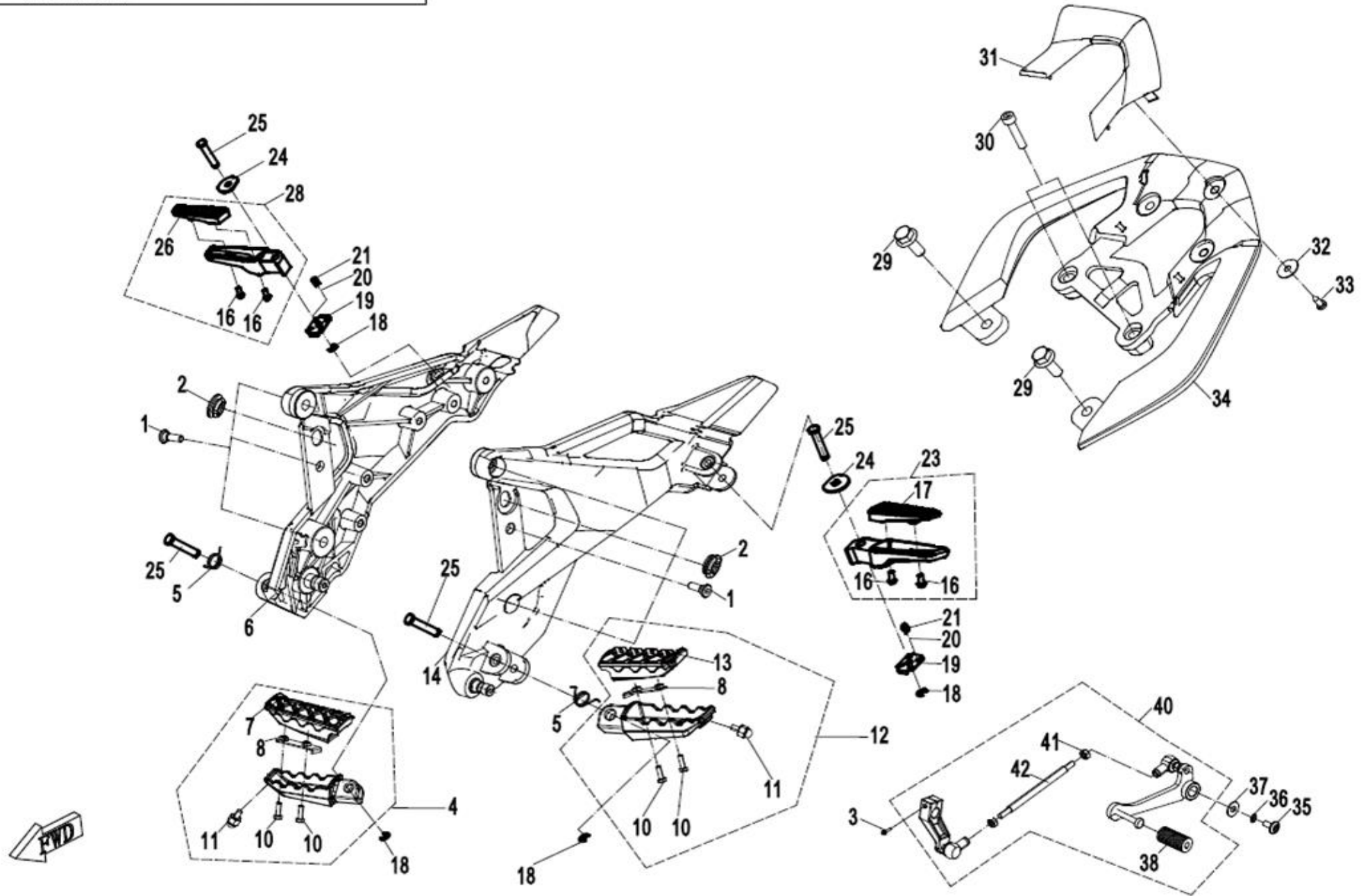
| Item No | Parts Number | Parts Name(EN) | Parts Name(CN) | Qty | Remark(s) |
|---------|-------------------|--|----------------|-----|--------------|
| 01 | 6NT1-120100-1EK01 | FUEL TANK ASSY | 油箱焊接组件 | 1 | ATHENS BLUE |
| 01 | 6NT1-120100-1VE01 | FUEL TANK ASSY | 油箱焊接组件 | 1 | NEBULA WHITE |
| 02 | 30006-060025810 | BOLT | 螺栓 | 2 | M6x25 |
| 03 | A000-120005 | HOOK | 挂钩 | 1 | |
| 04 | 5020-031002 | RUBBER SLEEVE LINER, FRONT LICENSE BRACKET | 前牌照支架橡胶套衬套 | 2 | |
| 05 | 5020-031001 | RUBBER SLEEVE, FRONT LICENSE BRACKET | 前牌照支架橡胶胶套 | 2 | |
| 06 | A000-040302 | RUBBER DAMPER | 油箱外护罩缓冲橡胶 | 2 | |
| 08 | 6KJ0-150902 | SEAL WASHER, TOP COVER | 顶盖密封圈 | 1 | |
| 09 | 6KJV-150900-8001 | FUEL PUMP | 油泵总成 | 1 | |
| 11 | 30006-050020810 | BOLT | 螺栓 | 5 | M5x20 |
| 12 | 6090-120210 | QUICK JOINT | 快速接头 | 2 | |
| 13 | 6070-120400 | CLAMP | 无级环箍 (Φ14.5) | 4 | Dia14.5 |
| 14 | A010-120210-10000 | HIGH-PRESSURE FUEL HOSE ASSY 1 | 高压油管组合 I | 1 | |
| 15 | 6090-120220 | FUEL FILTER ASSY, EFI | 电喷燃油滤清器组合 | 1 | |
| 16 | A000-120220-10000 | HIGH-PRESSURE FUEL HOSE ASSY 2 | 高压油管组合 II | 1 | |
| 17 | 30601-111010 | CLAMP A11 | 环箍A11 | 1 | A11 |
| 18 | 6NQ0-120001 | FUEL PIPE, FUEL TANK | 油箱漏油管 | 1 | |
| 19 | 6NQA-170200 | FUEL LEVEL SENSOR ASSY | 油位传感器组合 | 1 | |
| 20 | A000-170201 | SEAL RING | 密封圈 | 1 | |
| 21 | 30202-060110 | NUT M6 | 螺母 | 4 | M6 |
| 22 | A000-120001 | RUBBER SUPPORT | 前支撑胶套 | 2 | |
| 23 | A000-120006 | CUSHION MAT, FRONT FUEL TANK | 油箱前侧缓冲垫 | 2 | |
| 24 | 6NT1-041510 | BUCKLE ASSY | 蘑菇搭扣组合 | 2 | |

F13-D 座垫(缝线配色) SEAT (THREAD)



| Item No | Parts Number | Parts Name(EN) | Parts Name(CN) | Qty | Remark(s) |
|---------|--------------|-----------------|----------------|-----|-----------|
| 01 | 6NTC-130100 | SEAT ASSY | 座垫组合 | 1 | |
| 02 | 6NT1-130104 | RUBBER | 长方形缓冲橡胶 | 2 | |
| 03 | A000-130103 | FOAM DAMPER | 泡沫缓冲块 | 1 | |
| 04 | 6NT1-130105 | RUBBER | 方形缓冲橡胶 | 5 | |
| 05 | A000-130101 | HOOK, SEAT LOCK | 座垫锁钩 | 1 | |
| 06 | 30204-060810 | NUT M6 | 螺母 | 1 | |

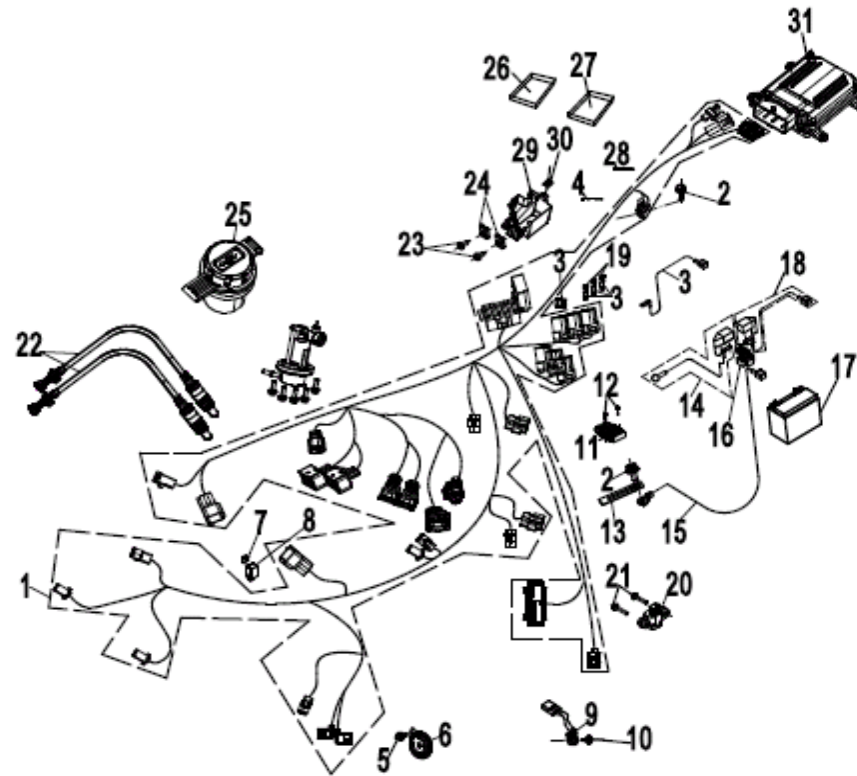
F14-V3 脚蹬与后扶手/FOOTREST & REAR HANDRAIL



| Item No | Parts Number | Parts Name(EN) | Parts Name(CN) | Qty | Remark(s) |
|---------|-------------------|-----------------------------|----------------|-----|--------------|
| 01 | 6100-140103 | BOLT M8x25 | 凸台螺栓M8X25 | 6 | M8X25 |
| 02 | 8080-040064 | FRONT FENDER DAMPER | 前围缓冲橡胶套 | 2 | |
| 03 | 30006-060020810 | BOLT M6x20 | 螺栓M6x20 | 1 | M6x20 |
| 04 | 6NT1-140130-2V100 | FRONT FOOTREST, RH | 右前脚蹬组件 | 1 | SILVER WHITE |
| 05 | 6NT1-140103 | TORSIONAL SPRING | 扭簧 | 2 | |
| 06 | 6NT1-140140-2V100 | BRACKET ASSY, RH FOOT PEDAL | 右脚蹬支架组件 | 1 | SILVER WHITE |
| 07 | 6NT1-140132-00001 | FOOT PEDAL RUBBER | 右前脚蹬橡皮 | 1 | |
| 08 | 6NT1-140150 | CONNECTING PLATE, FOOTREST | 脚蹬连接板组件 | 2 | |
| 10 | 30105-050016410 | SCREW M5x16 | 螺钉 | 4 | M5x16 |
| 11 | A010-140123 | LIMIT BOLT | 限位螺栓 | 2 | |
| 12 | 6NT1-140120-2V100 | FRONT FOOTREST, LH | 左前脚蹬组件 | 1 | SILVER WHITE |
| 13 | 6NT1-140122-00001 | FOOT PEDAL RUBBER | 左前脚蹬橡皮 | 1 | |
| 14 | 6NT1-140110-2V100 | BRACKET ASSY, LH FOOTREST | 左脚蹬支架组件 | 1 | SILVER WHITE |
| 16 | 30105-050012410 | SCREW M5x12 | 螺钉 | 4 | M5x12 |
| 17 | 6KJ0-140132 | RUBBER, LH FOOT PEDAL | 左脚蹬橡皮组件 | 1 | |
| 18 | 30802-00603 | CIRCLIP 6 | 开口挡圈6 | 4 | 6 |
| 19 | A000-140104 | LOCATING GASKET 1 | 定位垫片I | 2 | |
| 20 | 5190-037814 | STEEL BALL | 钢珠 | 2 | |
| 21 | 5190-037813 | SPRING | 弹簧 | 2 | |
| 23 | 6KJ0-140150-1V100 | REAR FOOTREST, LH | 左后脚蹬组件 | 1 | SILVER WHITE |
| 24 | A000-140106 | LOCATING GASKET 2 | 定位垫片II | 2 | |
| 25 | A000-140142 | PIN SHAFT Dia 8 | 销轴Φ8 | 4 | Dia 8 |
| 26 | 6KJ0-140142 | RUBBER ASSY, RH FOOTREST | 右脚蹬橡皮组件 | 1 | |
| 28 | 6KJ0-140160-1V100 | REAR FOOTREST,RH | 右后脚蹬组件 | 1 | SILVER WHITE |
| 29 | 30006-080020810 | BOLT M8x20 | 螺栓 | 2 | M8x20 |
| 30 | 30102-080030810 | SCREW | 螺钉 | 2 | M8x30 |
| 31 | 6NT1-140202 | COVER, REAR ARMREST | 后扶手盖板 | 1 | |
| 32 | 30305-050112 | WASHER | 垫圈 | 1 | 5 |
| 33 | 30110-421130010 | SCREW | 自攻螺钉 | 1 | ST4.2x13 |
| 34 | 6NT1-140201-0V100 | REAR ARMREST | 后扶手 | 1 | SILVER WHITE |
| 35 | A000-040702 | INNER HEX SCREW M6x12 | 内六角螺钉M6x12 | 1 | M6x12 |
| 36 | 30303-060112 | WASHER | 垫圈 | 1 | 6 |
| 37 | 30305-060112 | WASHER | 垫圈 | 1 | 6 |
| 38 | 6090-033601 | SLEEVE, FOOT PEDAL | 踏杆套 | 1 | |
| 40 | 6NT1-141100-20000 | GEARSHIFT ROD ASSY | 变档杆组合 | 1 | |

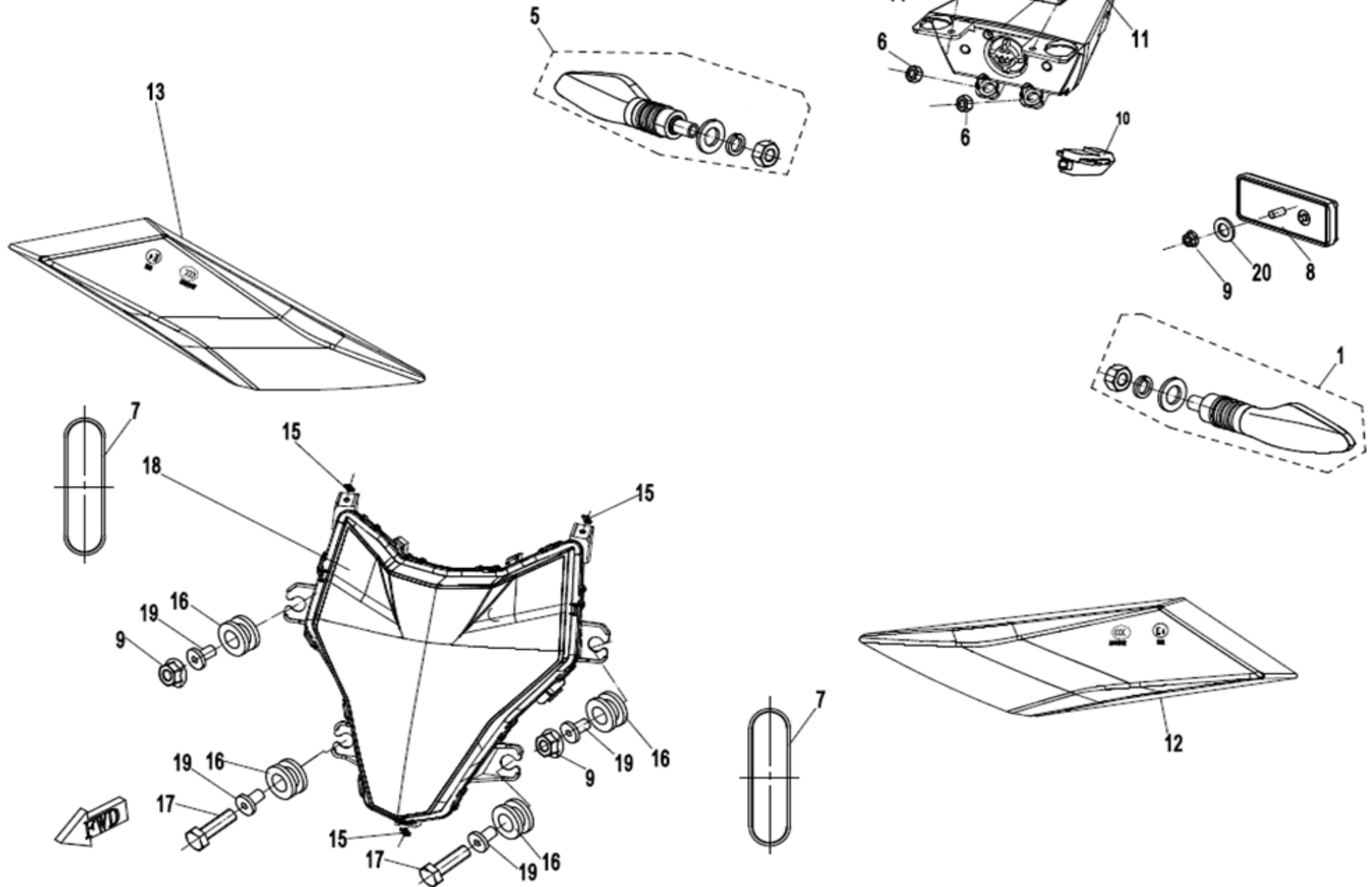
| | | | | | |
|----|-------------------|----------------|----|---|----|
| 41 | 30200-060810 | NUT | 螺母 | 1 | M6 |
| 42 | 6NT1-141102-20000 | CONNECTING ROD | 连杆 | 1 | |

F15 电器系统/ELECTRIC SYSTEM



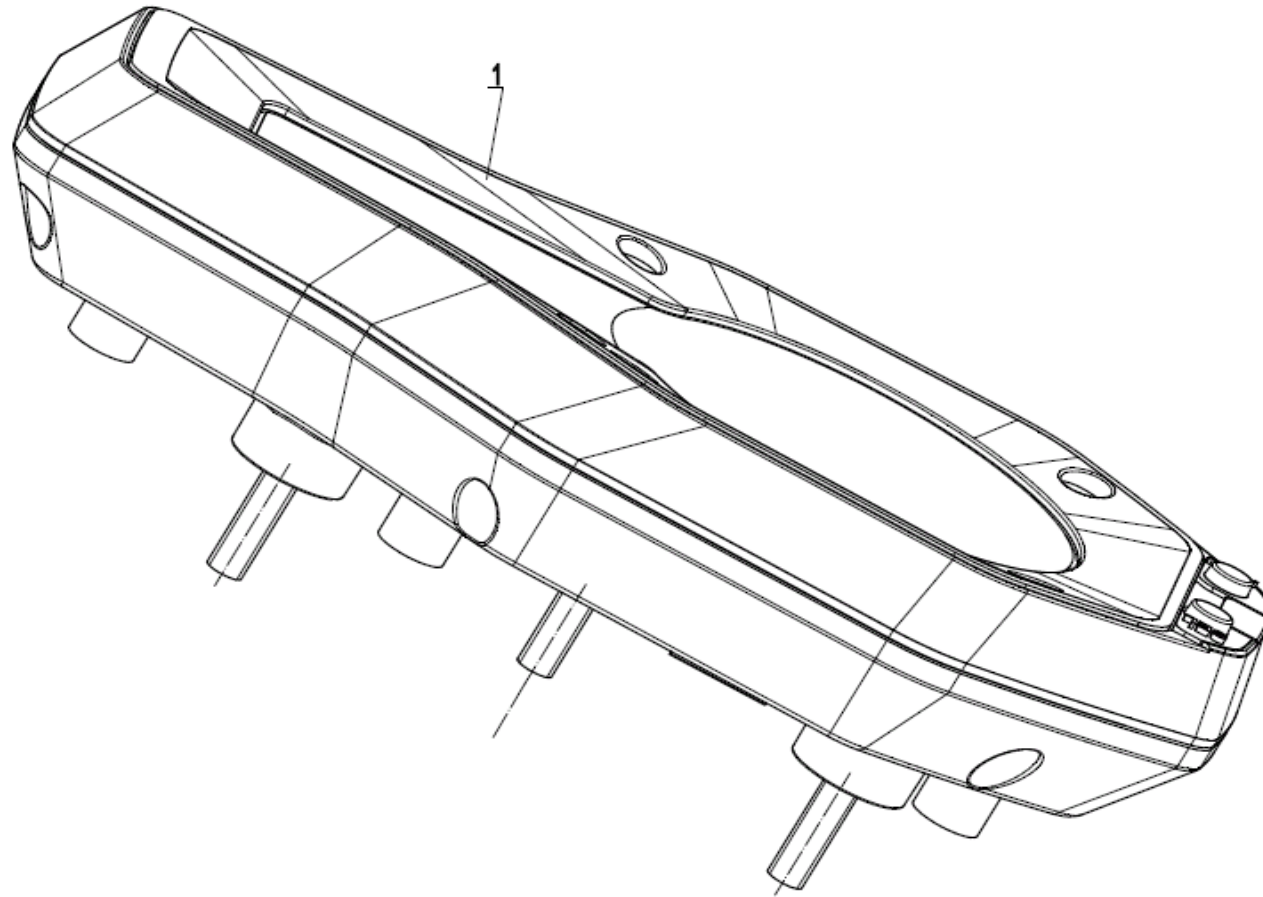
| Item No | Parts Number | Parts Name(EN) | Parts Name(CN) | Qty | Remark(s) |
|---------|-------------------|-------------------------------|----------------|-----|--------------|
| 01 | 6NTC-150100-40001 | MAIN CABLE | 主电缆 | 1 | |
| 02 | 30006-060012810 | BOLT M6x12 | 螺栓M6x12 | 2 | M6x12 |
| 03 | A000-150800 | AUXILIARY RELAY | 辅助继电器 | 6 | |
| 04 | 8010-150003 | TIE | 扎带 | 15 | 5x250 |
| 05 | 30006-080014810 | BOLT M8x14 | 螺栓 | 1 | M8x14 |
| 06 | 6NT1-150600 | HORN | 喇叭 | 1 | |
| 07 | 8010-150002 | CUSHION WASHER, FLASHER | 闪烁器缓冲垫 | 1 | |
| 08 | 6NT1-150340 | FLASHER | 闪烁器 | 1 | |
| 09 | 6070-151200-1000 | SIDE STAND SWITCH | 边撑开关 | 1 | |
| 10 | 8010-090005 | BOLT M6x16 | 螺栓M6x16 | 1 | M6x16 |
| 11 | 01AA-177000 | REGULATOR | 整流调压器 | 1 | 330W |
| 12 | 30006-060030810 | BOLT M6x30 | 螺栓 | 2 | M6x30 |
| 13 | 0180-014010 | WIRE CLIP | 线夹组合 | 2 | |
| 14 | A000-150200 | POSITIVE CABLE, STARTER MOTOR | 起动马达正极线 | 1 | |
| 15 | A000-150300 | NEGATIVE CABLE, STARTER MOTOR | 起动马达负极线 | 1 | |
| 16 | 9010-150310-10001 | STARTER RELAY | 起动继电器 | 1 | |
| 17 | AC-TTZ14S (HW) | BATTERY | 蓄电池 | 1 | 12V11.2AH |
| 18 | A000-150700 | POSITIVE CABLE, STARTER RELAY | 起动继电器正极线 | 1 | |
| 19 | A000-150801 | RUBBER RING, AUXILIARY RELAY | 辅助继电器橡胶圈 | 3 | |
| 20 | 6KJ0-150600 | SENSOR, ROLL-OVER | 侧倾传感器 | 1 | |
| 21 | 30006-050020810 | BOLT | 螺栓 | 2 | M5x20 |
| 22 | 018B-176000 | OXYGEN SENSOR | 氧传感器 | 2 | |
| 23 | 30118-420130010 | SELF-TAPPING SCREW ST4.2x13 | 自攻螺钉 | 2 | ST4.2x13 |
| 24 | 8080-000002 | CLIP NUT ST4.8 | 夹板ST4.8 | 2 | ST4.8 |
| 25 | 6NT1-150500 | USB OUTPUT SOCKET ASSY | USB电源输出座组合 | 1 | |
| 28 | 801F-100101 | TIE BAND | 扎带 | 4 | |
| 29 | A000-041601-10000 | BATTERY BOX | 电池盒 | 1 | |
| 30 | 8030-040800-00001 | NUT CLIP | M6螺母夹 | 1 | M6 |
| 31 | 0700-174000-50000 | ECU | ECU总成 | 1 | BOSCH MSE6.0 |

F16 灯具/LIGHT



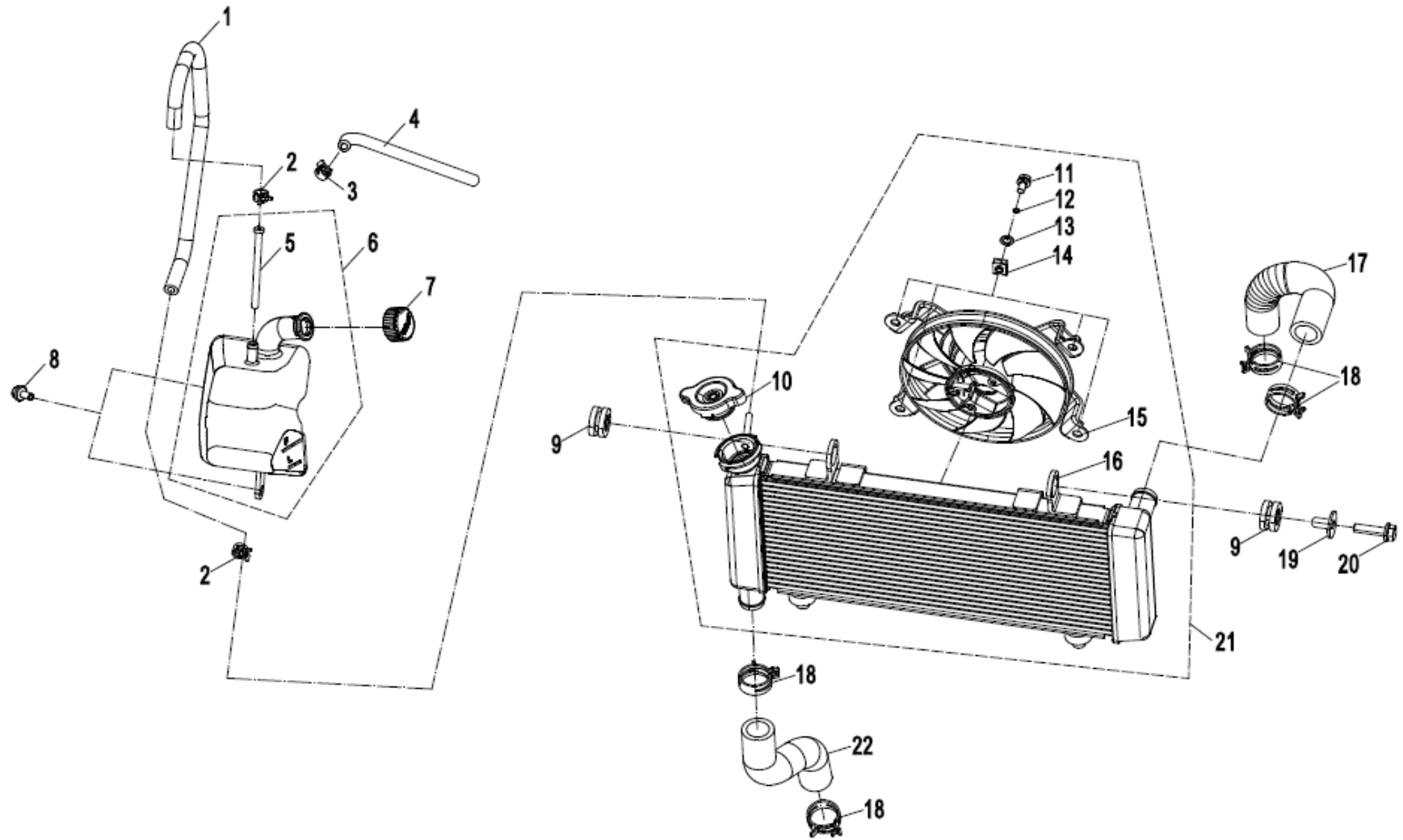
| Item No | Parts Number | Parts Name(EN) | Parts Name(CN) | Qty | Remark(s) |
|---------|-------------------|--|----------------|-----|----------------|
| 01 | 6KJ0-160400 | FRONT TURN LIGHT, LH | 前左转向灯 | 1 | |
| 05 | 6KJ0-160500 | FRONT TURN LIGHT, RH | 前右转向灯 | 1 | |
| 06 | 30202-060110 | NUT M6 | 螺母 | 2 | M6 |
| 07 | 6KJ0-050030 | SIDE REFLECTOR | 侧反射器 | 2 | |
| 08 | 5190-160230 | REAR REFLECTOR | 后反射器 | 1 | RECTANGLE, RED |
| 09 | 30202-050110 | NUT M5 | 螺母 | 1 | M5 |
| 10 | 6FIV-160600-6601 | LICENCE LIGHT | 牌照灯 | 1 | |
| 11 | 6NT1-162100-00001 | TAIL LIGHT ASSY | 尾灯组合 | 1 | |
| 11 | 6NT1-162100 | TAIL LIGHT ASSY | 尾灯组合 | 1 | |
| 12 | 6NT1-163100-00001 | FRONT LH TURN LIGHT ASSY | 前左转向灯组合 | 1 | |
| 12 | 6NT1-163100 | FRONT TURN LIGHT, LH | 前左转向灯组合 | 1 | |
| 13 | 6NT1-163200-00001 | FRONT RH TURN LIGHT ASSY | 前右转向灯组合 | 1 | |
| 13 | 6NT1-163200 | FRONT TURN LIGHT, RH | 前右转向灯组合 | 1 | |
| 14 | 30110-481130010 | SCREW | 自攻螺钉 | 4 | ST4.8x13 |
| 15 | 8080-000002 | CLIP NUT ST4.8 | 夹板ST4.8 | 1 | ST4.8 |
| 16 | 5020-031001 | RUBBER SLEEVE, FRONT LICENSE BRACKET | 前牌照支架橡胶胶套 | 1 | |
| 17 | 30006-060025810 | BOLT | 螺栓 | 1 | M6x25 |
| 18 | 6NT1-161100 | HEADLIGHT ASSY | 前照灯组合 | 1 | |
| 19 | 5020-031002 | RUBBER SLEEVE LINER, FRONT LICENSE BRACKET | 前牌照支架橡胶套衬套 | 4 | |
| 20 | 30305-050112 | WASHER | 垫圈 | 1 | 5 |

F17 仪表DASHBOARD



| Item No | Parts Number | Parts Name(EN) | Parts Name(CN) | Qty | Remark(s) |
|---------|-------------------|----------------|----------------|-----|-----------|
| 01 | 6NT1-170100-30000 | DASHBOARD | 仪表 | 1 | |

F18 冷却系统/COOLING SYSTEM



| Item No | Parts Number | Parts Name(EN) | Parts Name(CN) | Qty | Remark(s) |
|---------|------------------|-----------------------------------|----------------|-----|-----------|
| 01 | 6NT1-180001 | WATER OUTLET HOSE, RESERVOIR TANK | 副水箱出水管 | 1 | |
| 02 | 30601-212530 | CLAMP B12.5 | 环箍B12.5 | 2 | B12.6 |
| 03 | 30601-207050 | CLAMP B7 | 环箍B7 | 1 | B7 |
| 04 | 6090-360003 | VACUUM PIPE, CANISTER | 破罐负压管 | 1 | |
| 05 | A000-180301 | RESERVOIR TANK DUCT | 副水箱导管 | 1 | |
| 06 | 6NT1-180310 | RESERVOIR WATER TANK | 副水箱组件 | 1 | |
| 07 | 6KJ0-180302 | CAP, RESERVOIR TANK | 副水箱盖 | 1 | |
| 08 | 8010-000004 | BOLT M6x14 | 凸缘螺栓M6x14 | 2 | M6x14 |
| 09 | A000-180005 | DAMPER2, RADIATOR | 散热器减震胶垫II | 2 | |
| 10 | A000-180400 | CAP, WATER FILLER | 加水口盖组件 | 1 | |
| 11 | 30006-060012810 | BOLT M6x12 | 螺栓M6x12 | 4 | M6x12 |
| 12 | 30303-060112 | WASHER | 垫圈 | 4 | 6 |
| 13 | 30305-060112 | WASHER | 垫圈 | 4 | 6 |
| 14 | 6NT1-181001 | NUT M6 | 夹板螺母 | 4 | M6 |
| 15 | 6NT1-181200 | FNA ASSY | 风扇组合 | 1 | |
| 16 | 6NTV-181100-2000 | RADIATOR ASSY | 散热器组件 | 1 | |
| 17 | 6NT1-180002 | WATER INLET HOSE,RADIATOR | 散热器进水管 | 1 | |
| 18 | A000-180006 | CLAMP B30 | 环箍B30 | 4 | B30 |
| 19 | A000-180010-1000 | COLLAR, RADIATOR | 散热器减震胶垫II衬套 | 1 | |
| 20 | 30006-080030810 | BOLT M8x30 | 螺栓 | 1 | M8x30 |
| 21 | 6NT1-181000 | RADIATOR ASSY | 散热器组合 | 1 | |
| 22 | 6NT1-180003 | WATER OUTLET HOSE,RADIATOR | 散热器出水管 | 1 | |

20' 650MT 贴花量产

6NT#-190100-2301-10个性贴花总成



雅典蓝配色

刀模线
备注: 星光白请按色板调 (做到无色差)
亚光钛金灰请按色板调 (做到无色差)



6NT#-190104-2300-10
型号贴花*2
96*10
材料3M 180mc透明



6NT#-190105-2300-10
CFMOTO贴花*2
96*18
材料3M 180mc透明



6NT#-190106-2300-10
ABS贴花*2
42*11
材料3M 180mc透明

| Item No | Parts Number | Parts Name(EN) | Parts Name(CN) | Qty | Remark(s) |
|---------|---------------------|-----------------------------|----------------|-----|-----------|
| 01 | 6NT#-190100-2301-10 | DECAL ASSY | 个性贴花总成 | 1 | |
| 02 | 6NT#-190101-2301-10 | RH DECAL 1, FUEL TANK GUARD | 右油箱护罩贴花 I | 1 | |
| 03 | 6NT#-190102-2300-10 | DECAL 2, FUEL TANK RH GAURD | 右油箱护罩贴花 II | 1 | |
| 04 | 6NT#-190103-2301-10 | LH DECAL, FUEL TANK GUARD | 左油箱护罩贴花 | 1 | |
| 05 | 6NT#-190104-2300-10 | MODEL DECAL | 型号贴花 | 2 | |
| 06 | 6NT#-190105-2301-10 | CFMOTO DECAL | CFMOTO贴花 | 2 | |
| 07 | 6NT#-190106-2300-10 | ABS DECAL | ABS贴花 | 2 | |

20' 650MT 贴花量产

6NT#-190100-2301-11个性贴花总成

星光白配色



刀模线
备注: 星光白请按色板调 (做到无色差)
亚光钛金灰请按色板调 (做到无色差)

6NT#-190102-2300-11
右油箱护罩贴花 II
82*113
材料3M 2008光白

6NT#-190101-2301-11
右油箱护罩贴花 I
464*254
材料3M 180mc透明

6NT#-190103-2301-11
左油箱护罩贴花
356*139
材料3M 180mc透明



6NT#-190104-2300-10
型号贴花*2
96*10
材料3M 180mc透明

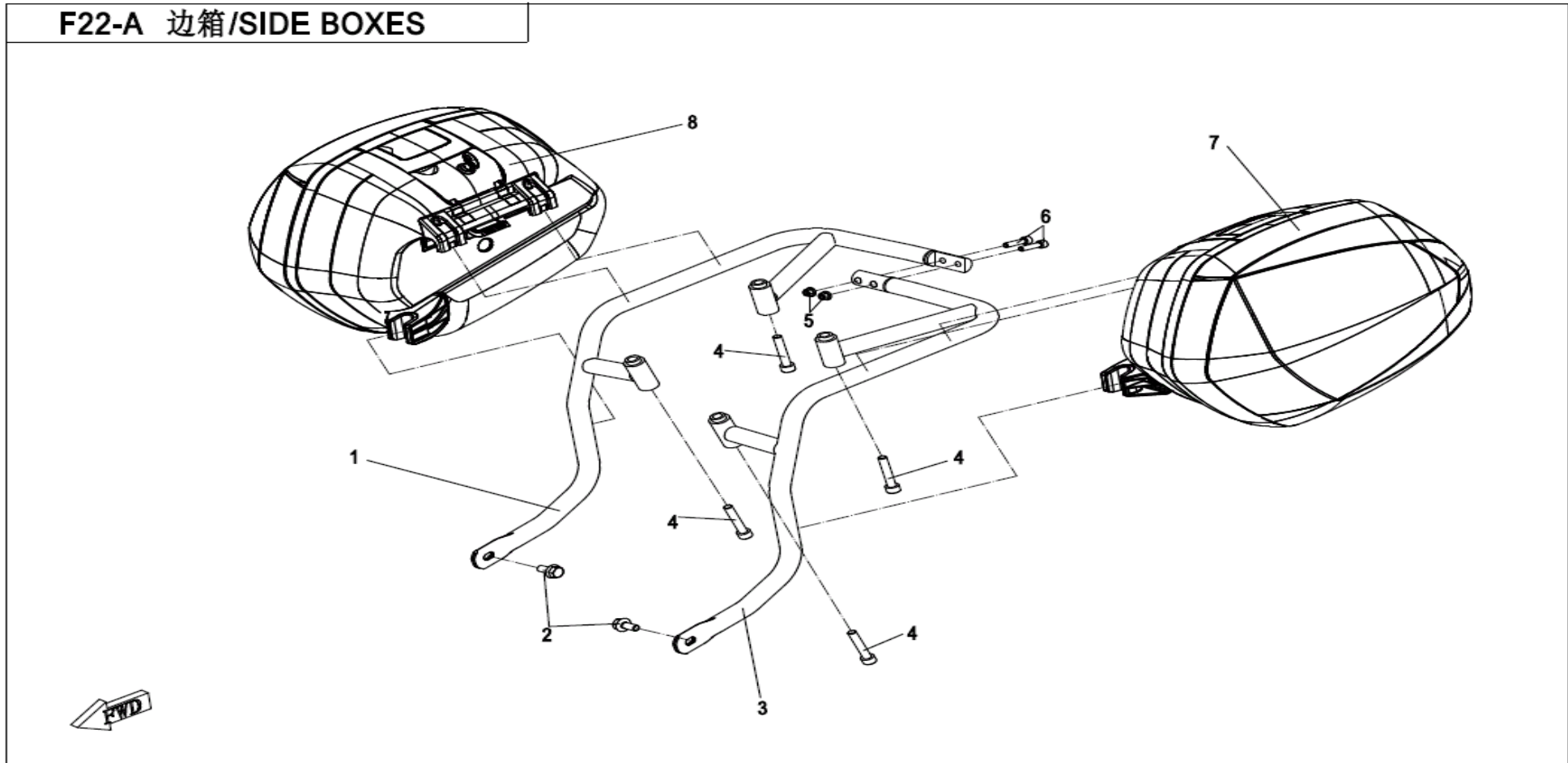


6NT#-190105-2300-10
CFMOTO贴花*2
96*18
材料3M 180mc透明



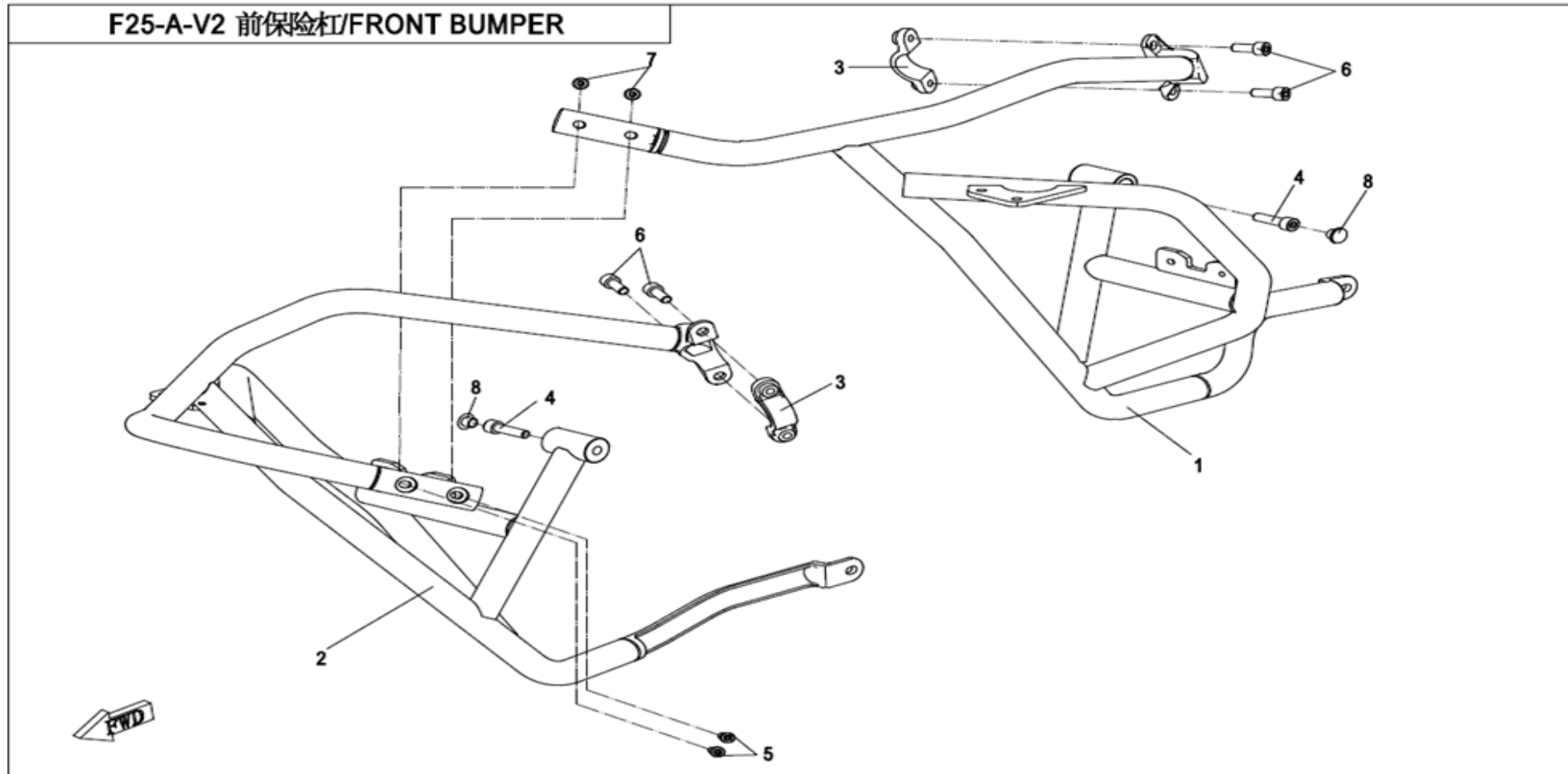
6NT#-190106-2300-10
ABS贴花*2
42*11
材料3M 180mc透明

| Item No | Parts Number | Parts Name(EN) | Parts Name(CN) | Qty | Remark(s) |
|---------|---------------------|-----------------------------|----------------|-----|-----------|
| 01 | 6NT#-190100-2301-11 | DECAL ASSY | 个性贴花总成 | 1 | |
| 02 | 6NT#-190101-2301-11 | RH DECAL 1, FUEL TANK GUARD | 右油箱护罩贴花I | 1 | |
| 03 | 6NT#-190102-2300-11 | DECAL 2, FUEL TANK RH GAURD | 右油箱护罩贴花II | 1 | |
| 04 | 6NT#-190103-2301-11 | LH DECAL, FUEL TANK GUARD | 左油箱护罩贴花 | 1 | |
| 05 | 6NT#-190104-2300-10 | MODEL DECAL | 型号贴花 | 2 | |
| 06 | 6NT#-190105-2301-10 | CFMOTO DECAL | CFMOTO贴花 | 2 | |
| 07 | 6NT#-190106-2300-10 | ABS DECAL | ABS贴花 | 2 | |



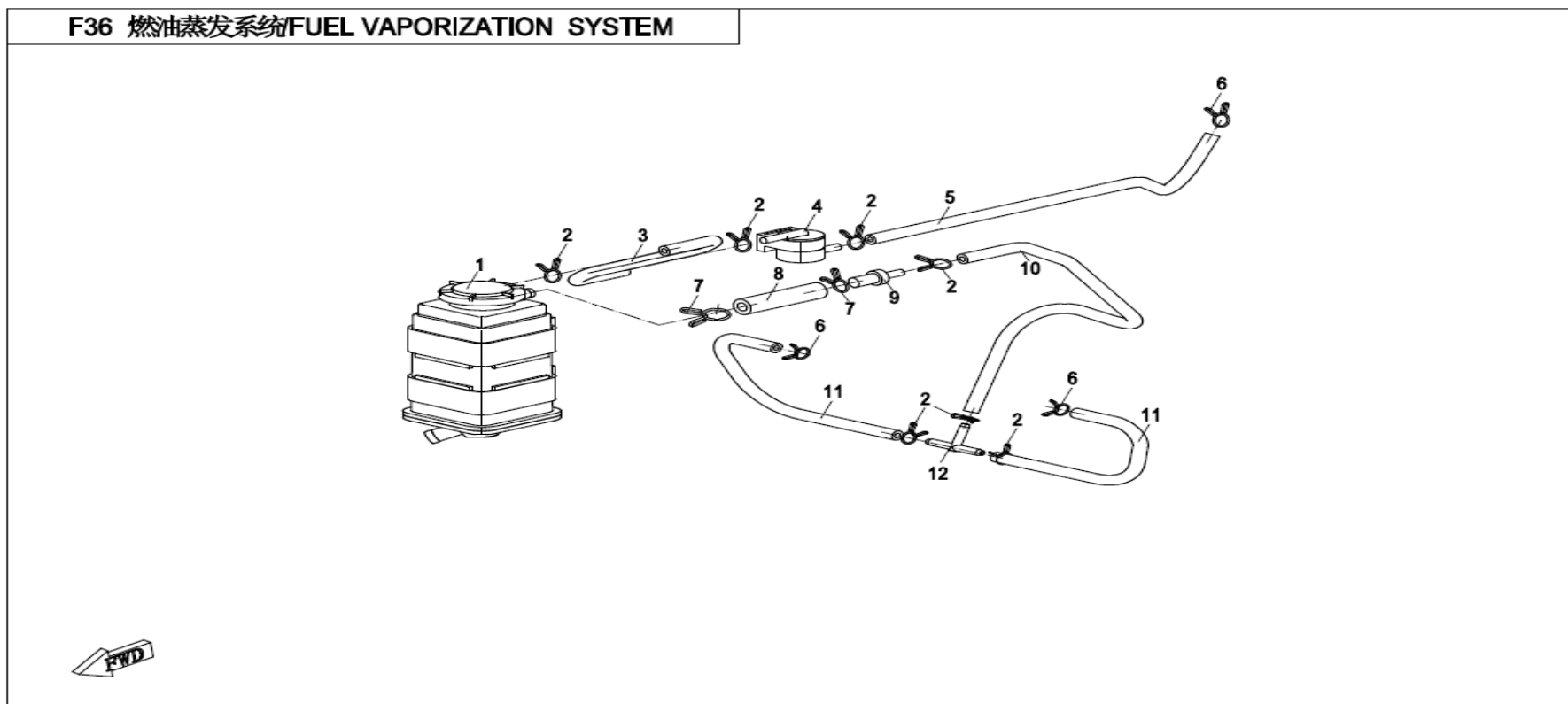
| Item No | Parts Number | Parts Name(EN) | Parts Name(CN) | Qty | Remark(s) |
|---------|-------------------|-----------------------|----------------|-----|-----------|
| 01 | 6NT1-220200-0BP00 | BRACKET, RH SIDE BOX | 右边箱支撑架组合 | 1 | |
| 02 | 30006-080014810 | BOLT M8x14 | 螺栓 | 2 | |
| 03 | 6NT1-220100-0BP00 | BRACKET, LH SIDE BOX | 左边箱支撑架组合 | 1 | |
| 04 | 30102-080045810 | INNER HEX SCREW M8x45 | 螺钉 | 4 | |
| 05 | 30204-060810 | NUT M6 | 螺母 | 2 | |
| 06 | 30102-060025810 | SCREW M6x25 | 螺钉 | 2 | |
| 07 | 6NT1-222000 | SIDE BOX, LH | 左边箱组合 | 1 | |
| 08 | 6NT1-223000 | SIDE BOX, RH | 右边箱组合 | 1 | |

F25-A-V2 前保险杠(民用) FRONT BUMPER(NORMAL)



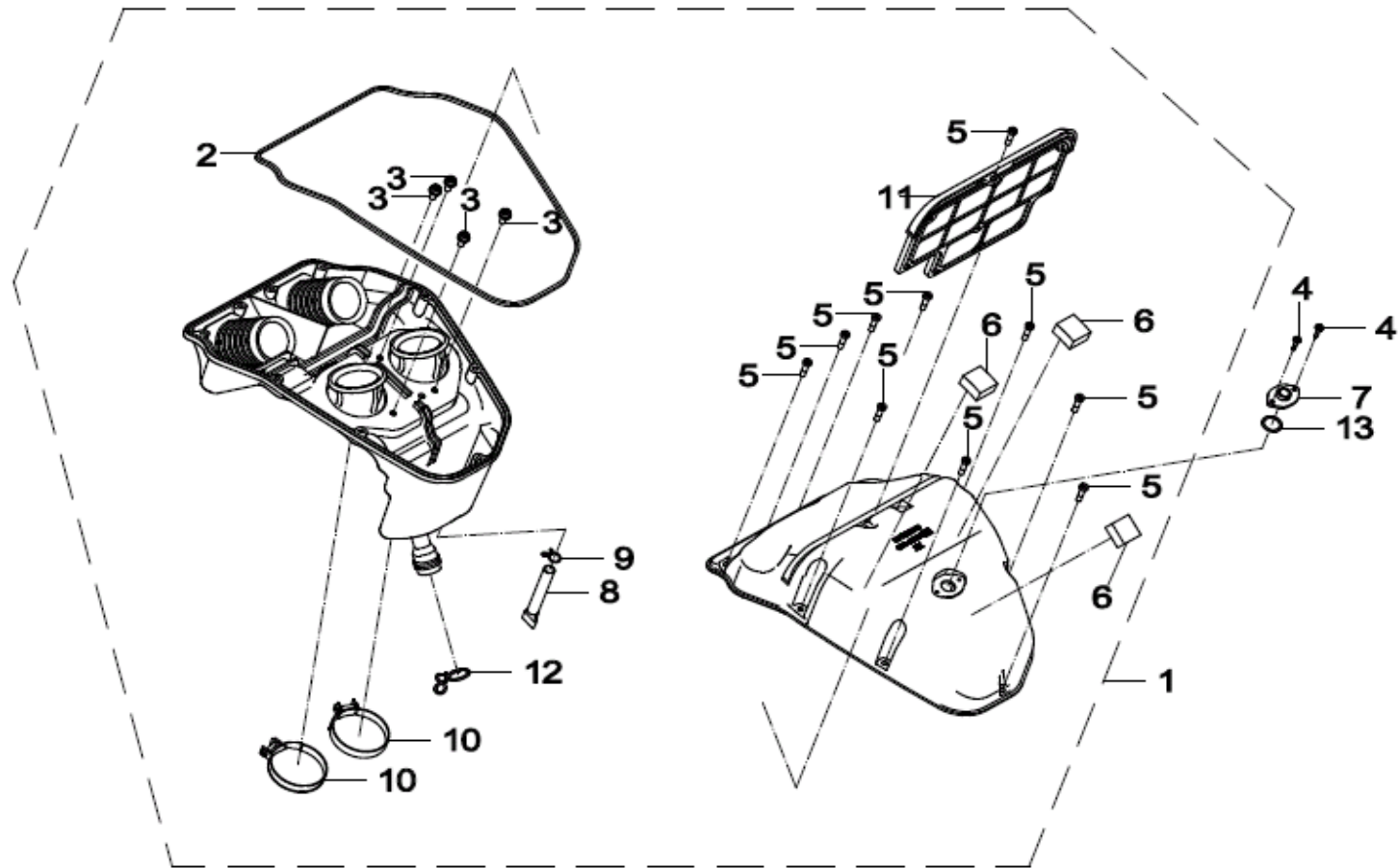
| Item No | Parts Number | Parts Name(EN) | Parts Name(CN) | Qty | Remark(s) |
|---------|-------------------|----------------------|----------------|-----|-------------------|
| 01 | 6NT1-251000-0BP00 | FRONT LH BUMPER ASSY | 前左保险杠组合 | 1 | MAUD SPIRIT BLACK |
| 02 | 6NT1-252000-0BP00 | FRONT RH BUMPER ASSY | 前右保险杠组合 | 1 | MAUD SPIRIT BLACK |
| 03 | 6NT1-250001-0BP00 | COVER, CLAMP BRACKET | 抱箍支架盖 | 2 | MAUD SPIRIT BLACK |
| 04 | 30102-080030810 | SCREW | 螺钉 | 2 | M8x30 |
| 05 | 30102-060022810 | SCREW M6x22 | 螺钉 | 2 | M6x22 |
| 06 | 30102-080020870 | SCREW | 螺钉M8x20 | 4 | |
| 07 | 30204-060870 | NUT M6 | 螺母M6 | 2 | |
| 08 | 6NTG-251003 | DECO COVER, BOLT | 安装螺栓装饰盖 | 2 | |

F36 燃油蒸发系统 FUEL VAPORIZATON SYSTEM



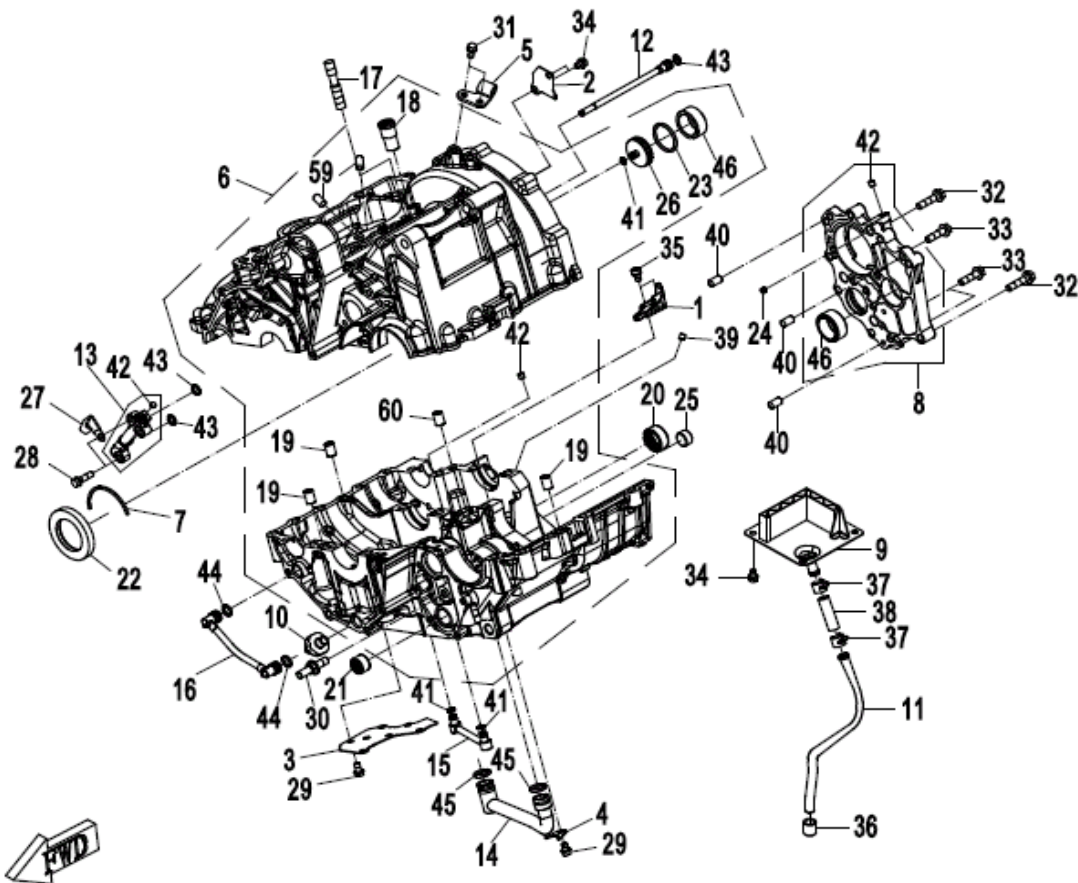
| Item No | Parts Number | Parts Name(EN) | Parts Name(CN) | Qty | Remark(s) |
|---------|--------------|---------------------------|----------------|-----|-----------|
| 01 | 6NT1-360200 | CANISTER | 炭罐 | 1 | |
| 02 | 30601-108010 | CLAMP A8 | 环箍A8 | 7 | A8 |
| 03 | 6NT1-360002 | FUEL VAPOR HOSE 2 | 燃油蒸气管Ⅱ | 1 | |
| 04 | 606B-360100 | ANTI-ROLLOVER VALVE | 防倾倒阀 | 1 | |
| 05 | 6NT1-360003 | FUEL VAPOR HOSE 3 | 燃油蒸气管Ⅲ | 1 | |
| 06 | 30601-109010 | CLAMP A9 | 环箍 | 3 | |
| 07 | 30601-112010 | CLAMP A12 | 环箍 | 2 | A12 |
| 08 | 6NQ0-360005 | FUEL VAPOR HOSE 5 | 燃油蒸气管Ⅴ | 1 | |
| 09 | 8010-180018 | JOINT, HEAT TRANSMIT PIPE | 传热水管接头 | 1 | |
| 10 | 6NT1-360001 | FUEL VAPOR HOSE 1 | 燃油蒸气管Ⅰ | 1 | |
| 11 | 6NQ0-360002 | FUEL VAPOR HOSE 2 | 燃油蒸气管Ⅱ | 2 | |
| 12 | 8010-360001 | VACUUM T-JOINT | 负压三通接头 | 1 | |

F41 空滤器/AIR FILTER



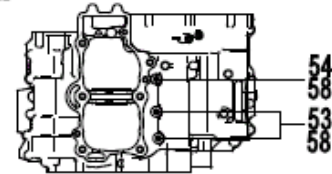
| Item No | Parts Number | Parts Name(EN) | Parts Name(CN) | Qty | Remark(s) |
|---------|-----------------|---------------------------------|------------------|-----|--------------|
| 01 | 0700-111000 | AIR FILTER | 空气滤清器 | 1 | |
| 02 | 0700-111002 | SEAL RING | 密封圈 | 1 | |
| 03 | 30102-060012810 | SCREW | 内六角螺钉M6X12 | 4 | |
| 04 | 30110-420160010 | SCREW | 自攻螺钉 | 2 | ST4.2x16 |
| 05 | 30110-480200040 | SELF-TAPPING SCREW ST4.8x20-F-H | 自攻螺钉ST4.8x20-F-H | 10 | ST4.8x20-F-H |
| 06 | 0700-111004 | DAMPER FOAM | 减震泡沫 | 3 | |
| 07 | 0700-110001 | PLUG,UPPER HOUSING | 上壳体堵盖 | 1 | |
| 08 | 0700-111006 | OIL STORAGE HOSE | 储油管 | 1 | |
| 09 | 30601-110010 | CLAMP A10 | 环箍 | 1 | A10 |
| 10 | 0700-111011 | CLAMP 56, AIR INLET PIPE | 进气管卡箍组件56 | 2 | |
| 11 | 0700-111100 | FILTER ELEMENT | 滤芯组件 | 1 | |
| 12 | 30601-124020 | CLAMP A24 | 环箍A24 | 1 | A24 |
| 13 | 0060-111015 | O-SEAL RING 17x2 | O型密封圈17x2 | 1 | 17x2 |

E01-1 上和下曲轴箱分总成/UPPER & LOWER CRANKCASE

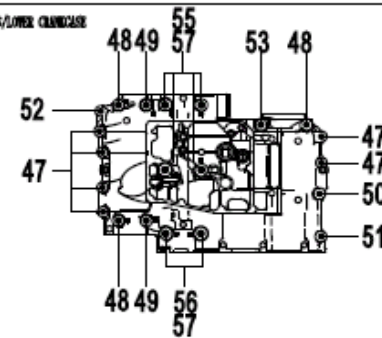


6

上曲轴箱/UPPER CRANKCASE



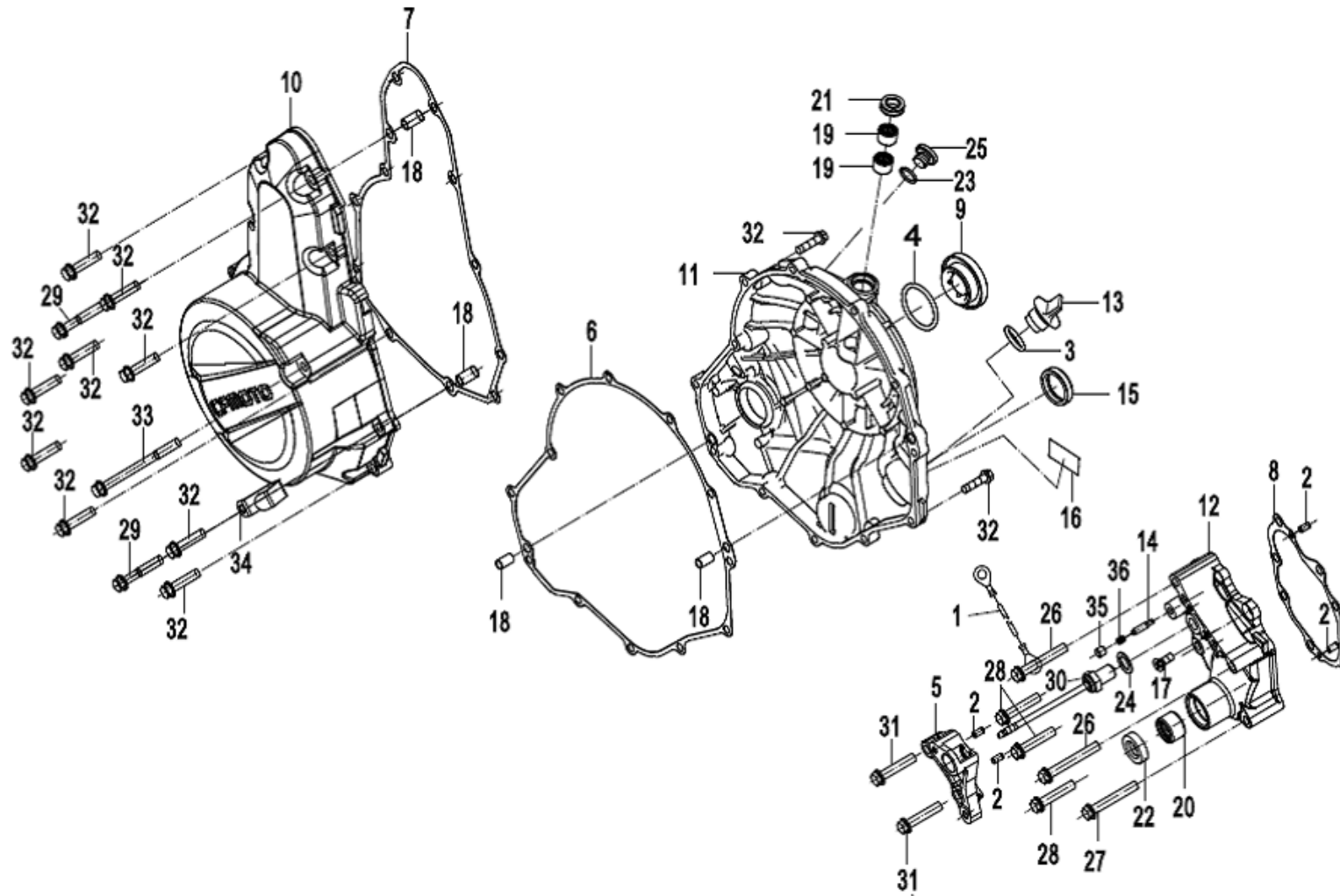
下曲轴箱/LOWER CRANKCASE



| Item No | Parts Number | Parts Name(EN) | Parts Name(CN) | Qty | Remark(s) |
|---------|-------------------|--------------------------------|----------------|-----|-------------|
| 01 | 0700-012300 | PLATE, OIL SHIELDING | 油室分隔板组件 | 1 | |
| 02 | 0700-011104 | GUARD, BREATHER | 呼吸器挡板 | 1 | |
| 03 | 0700-012006 | PLATE, LOWER CRANKCASE | 下箱体盖板 | 1 | |
| 04 | 0700-070001 | PLATE, OIL PIPE1 | 过油管 I 压板 | 1 | |
| 05 | 0700-010002 | BRACKET, CLUTCH CABLE | 离合拉线支架 | 1 | |
| 06 | 0700-0100A0-1B20 | CRANKCASE ASSY | 曲轴箱合件 | 1 | MATTE BLACK |
| 07 | 0700-010001 | RING 62, BEARING | 轴承止动环62 | 1 | |
| 08 | 0700-0660A0 | GEAR CASE | 变档室盖合件 | 1 | |
| 09 | 0700-011410 | BREATHER ASSY | 呼吸器焊接合件 | 1 | |
| 10 | 0700-012500 | SWITCH, OIL PRESSURE | 机油低压报警开关 | 1 | |
| 11 | 0700-011402-1000 | OIL RETURN HOSE | 回油管 | 1 | |
| 12 | 0700-011310 | OIL PIPE 5 | 过油管V合件 | 1 | |
| 13 | 0700-0112A0-0B20 | OIL PIPE 4 | 过油管IV合件 | 1 | MATTE BLACK |
| 14 | 0700-070300 | OIL PIPE 1 | 过油管 I 合件 | 1 | |
| 15 | 0700-012210 | OIL PIPE 3 | 过油管III合件 | 1 | |
| 16 | 0700-012710 | OIL PIPE 2 | 过油管II合件 | 1 | |
| 17 | 0700-011102-00001 | STUD M10x57 | 双头螺柱 | 1 | |
| 18 | 0700-011103 | PIPE BREATHER | 呼吸器通气管 | 1 | |
| 19 | 30410-01000 | ROLLER 10x14 | 圆柱滚子10X14 | 3 | 10X14 |
| 20 | 30403-02200 | NEEDLE BEARING HK2212 | 滚针轴承HK2212 | 1 | HK2212 |
| 21 | 30403-01300 | NEEDLE BEARING HK1312 | 滚针轴承HK1312 | 1 | HK1312 |
| 22 | 0700-010200 | OIL SEAL 40x62x8, COUNTERSHAFT | 副轴油封 | 1 | 40x62x8 |
| 23 | 0700-011112 | O-SEAL RING 29x2.5 | O形密封圈 | 1 | 29x2.5 |
| 24 | 0700-066006-00002 | OIL LIMIT PLUG | 限油螺咀 | 1 | |
| 25 | 0700-012105-00001 | PLUG, MAIN OIL RAIL | 主油道锥堵 | 1 | |
| 26 | 0700-011106 | PLUG, UPPER CRANKCASE | 上箱油堵 | 1 | |
| 27 | 0180-014010 | WIRE CLIP | 线夹组合 | 1 | |
| 28 | 0010-080013-0010 | BOLT M6x22 | 螺栓 | 2 | M6x22 |
| 29 | 0010-080010-0010 | BOLT M6x10 | 螺栓 | 7 | M6x10 |
| 30 | 0700-012107-00001 | DOWEL PIN, TRANSMISSION SPRING | 换挡轴扭簧定位销 | 1 | |
| 31 | 0010-021019-0010 | BOLT M6x12 | 螺栓 | 2 | M6x12 |
| 32 | 0700-066004-00001 | BOLT M7x30 | 螺栓 | 6 | M7x30 |
| 33 | 0700-066007-00001 | BOLT M7x26 | 螺栓M7x26 | 3 | |
| 34 | 0700-011105-00002 | BOLT M6x8 | 螺栓 | 6 | M6x8 |
| 35 | 0700-012012-00002 | SCREW M6x8 | 螺钉 | 2 | M6x8 |

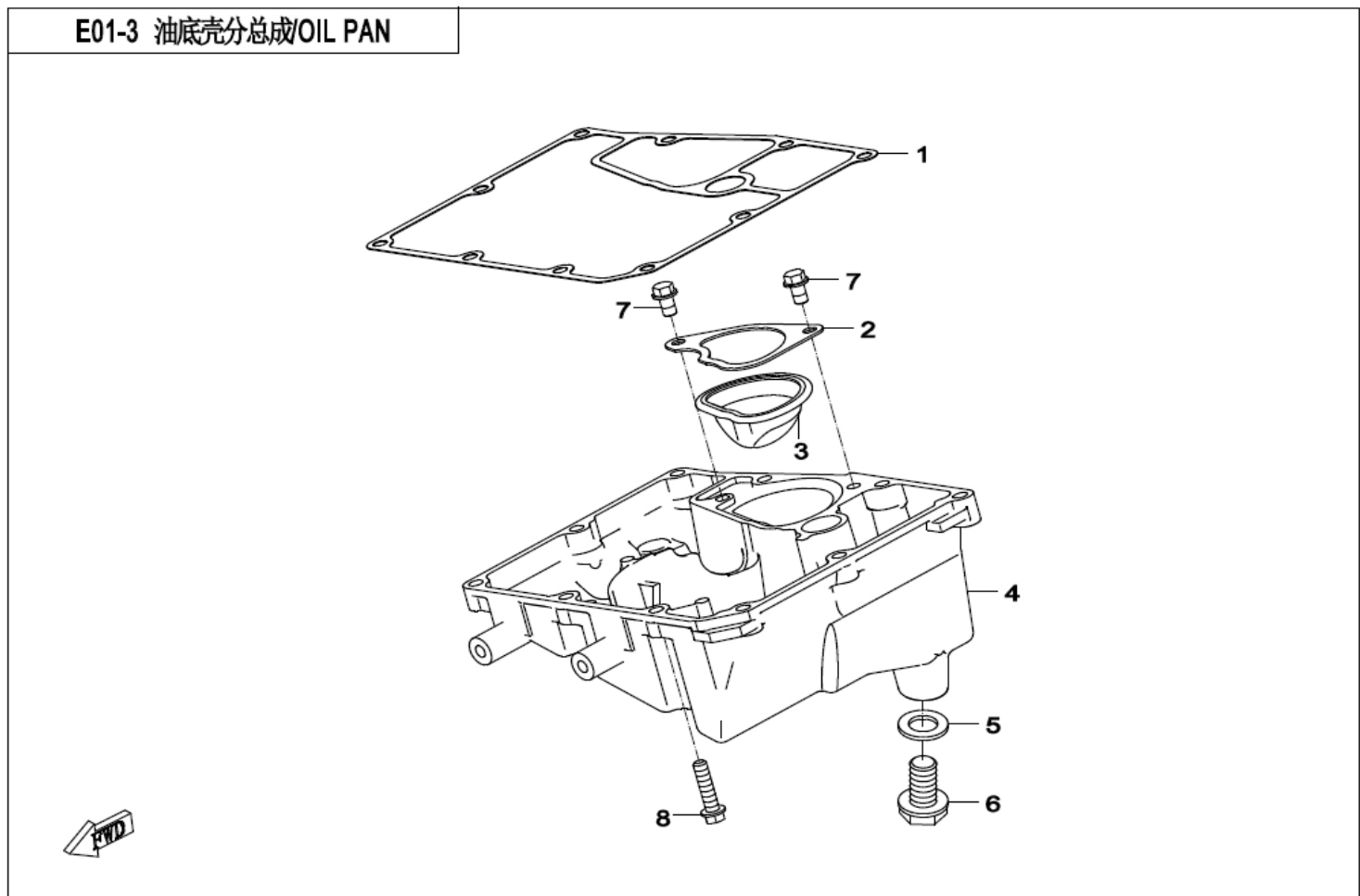
| | | | | | |
|----|-------------------|--------------------------|-----------|---|------------|
| 36 | 0700-011403 | DAMPER, OIL RETURN HOSE | 回油管减震橡胶套 | 1 | |
| 37 | 30601-211550 | STEEL BAND CLAMP B11.5 | 钢带管箍B11.5 | 2 | B11.5 |
| 38 | 0700-011401 | CONNECTING PIPE BREATHER | 呼吸器连接管 | 1 | |
| 39 | 0700-012104-00001 | SCREW PLUG M6, OIL RAIL | 油道螺堵M6 | 1 | |
| 40 | 0700-022018 | SOLID PIN 8x14 | 实心销 | 3 | 8x14 |
| 41 | 0700-012201 | O-SEAL RING 5x2 | O形密封圈 | 3 | 5x2 |
| 42 | 0700-066005 | PLUG 6 | 堵头6 | 2 | 6 |
| 43 | 0700-011202 | O-SEAL RING | O型密封圈 | 3 | 8.2x1.90 |
| 44 | 0700-012701 | O-SEAL RING | O型密封圈10x2 | 2 | 10x2 |
| 45 | 0700-070003 | O-SEAL RING 14x2.5 | O形密封圈 | 2 | 14x2.5 |
| 46 | 0700-011107 | SHAFT SLEEVE | 轴套 | 2 | |
| 47 | 0700-012007-00001 | BOLT M7x40 | 螺栓 | 6 | M7x40 |
| 48 | 0700-012004-00001 | BOLT M8x60 | 螺栓 | 3 | M8x60 |
| 49 | 0700-012003-00001 | BOLT M8x73 | 螺栓 | 2 | M8x73 |
| 50 | 0700-012011-00001 | BOLT M8x50 | 螺栓 | 1 | M8x50 |
| 51 | 0700-012009-00001 | BOLT M7x34 | 螺栓 | 1 | M7x34 |
| 52 | 0700-012005-00001 | BOLT M7x47 | 螺栓 | 1 | M7x47 |
| 53 | 0700-011001-00001 | BOLT M8x110 | 螺栓 | 3 | M8x110 |
| 54 | 0700-011002-00001 | BOLT M8x120 | 螺栓 | 1 | M8x120 |
| 55 | 0700-012001 | BOLT M9x113 | 螺栓 | 4 | M9x113 |
| 56 | 0700-012008-00001 | BOLT M9x83 | 螺栓 | 2 | M9x83 |
| 57 | 0700-012002 | WASHER | 垫圈 | 6 | 9.2x19x2.3 |
| 58 | 0010-022012 | WASHER 8 | 垫圈8 | 3 | 8 |
| 59 | 0800-011400 | NOZZLE VALVE ASSY | 喷嘴阀组件 | 2 | |
| 60 | 01A0-056004 | DOWEL PIN | 定位销φ6×12 | 1 | 6x12 |

右&左侧盖分总成 RIGHT&LEFT SIDE COVER



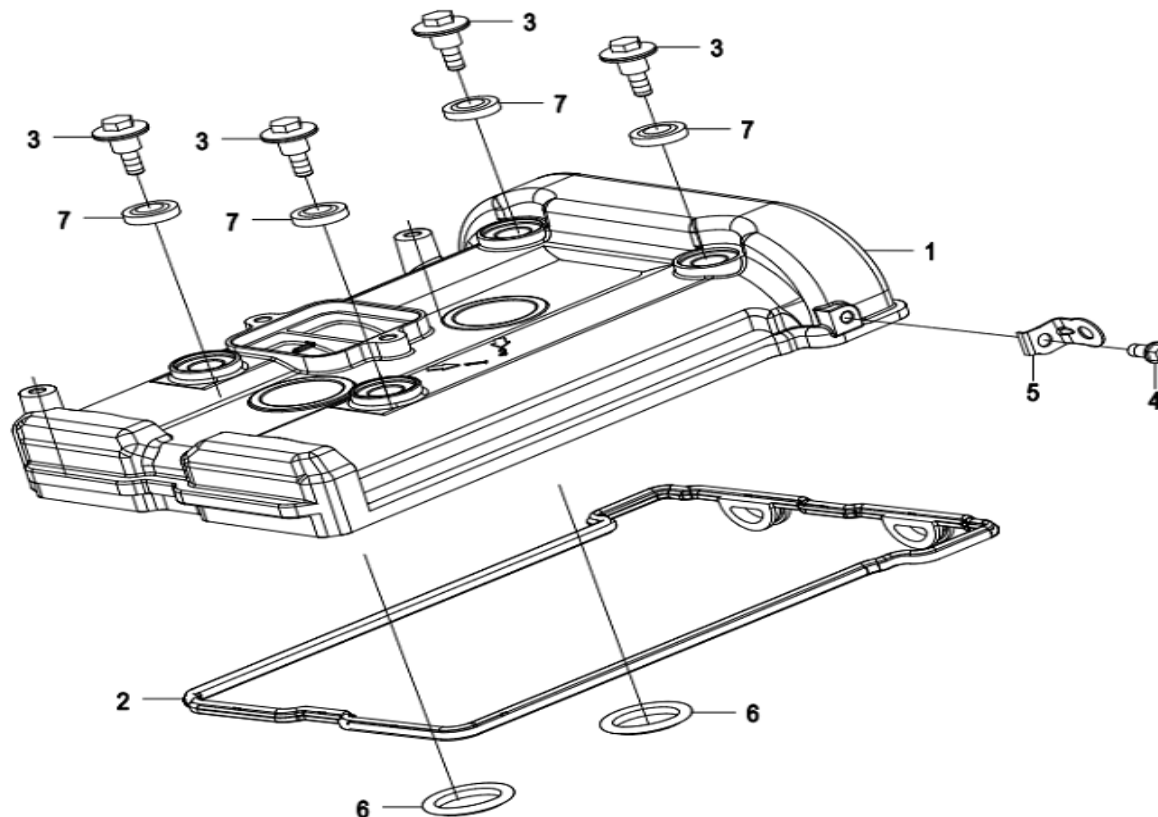
| Item No | Parts Number | Parts Name(EN) | Parts Name(CN) | Qty | Remark(s) |
|---------|-------------------|-----------------------------|----------------|-----|-------------|
| 01 | 0700-065205 | GROUND CABLE, AUXILIARY | 辅助接地线 | 1 | |
| 02 | 30406-00401 | ROLLER NEEDLE P4x7.8 | 滚针P4x7.8 | 4 | P4x7.8 |
| 03 | 0110-013030 | O-SEAL RING 18x3.55 | O形密封圈 | 1 | 18x3.55 |
| 04 | 01A0-012003 | O-SEAL RING 35x3.5 | O形密封圈 | 1 | 35x3.5 |
| 05 | 0700-065301 | HOLDER | 支座 | 1 | |
| 06 | 0700-013002-10000 | GASKET, RH SIDE COVER | 右侧盖密封垫 | 1 | |
| 07 | 0700-014002-10000 | GASKET, LH SIDE COVER | 左侧盖密封垫 | 1 | |
| 08 | 0700-065202-10000 | GASKET, TRANSMISSION COVER | 换挡轴盖垫片 | 1 | |
| 09 | 01A0-012002-0HA00 | STRAINER COVER | 滤网盖 | 1 | SILVER GREY |
| 10 | 0700-014001-CH700 | LH SIDE COVER | 左侧盖 | 1 | SILVER GREY |
| 11 | 0700-013001-9H700 | RH SIDE COVER | 右侧盖 | 1 | SILVER GREY |
| 12 | 0700-065201-3B200 | GEARSHIFT COVER | 换挡轴盖 | 1 | |
| 13 | 0700-013008 | PLUG, OIL FILLING | 加油塞 | 1 | |
| 14 | 0700-063008 | CONTACTOR | 球形触头 | 1 | |
| 15 | 0700-013100-00001 | VIEWER, OIL LEVEL | 油面观察窗组合 | 1 | |
| 17 | 30128-060016830 | SCREW M6x16 | 螺钉 | 1 | M6x16 |
| 18 | 0010-080008 | DOWEL PIN | 定位销Φ8X14 | 4 | 8X14 |
| 19 | 30403-01200 | NEEDLE BEARING HK1210 | 滚针轴承HK1210 | 2 | HK1210 |
| 20 | 30403-01300 | NEEDLE BEARING HK1312 | 滚针轴承HK1312 | 1 | HK1312 |
| 21 | 0010-080009 | OIL SEAL | 油封 | 1 | 12x20x5 |
| 22 | 0700-065220 | OIL SEAL 13x22x5.5 | 油封 | 1 | 13x22x5.5 |
| 23 | 01A0-013005 | O-SEAL RING | O形密封圈 | 1 | 13x2 |
| 24 | 0010-060010 | WASHER 10 | 垫圈10 | 1 | 10 |
| 25 | 0700-013003-10000 | HOLE CAP, TIMING INSPECTION | 正时观察孔盖 | 1 | |
| 26 | 0180-013208-0010 | BOLT M6x45 | 螺栓 | 2 | M6x45 |
| 27 | 0010-013009-0010 | BOLT M6x40 | 螺栓 | 1 | M6x40 |
| 28 | 0010-060012-0010 | BOLT M6x30 | 螺栓 | 3 | M6x30 |
| 29 | 0010-013008-0010 | BOLT M6x35 | 螺栓 | 2 | M6x35 |
| 30 | 0700-065210 | REVERSE SENSOR ASSY | 倒档传感器组件 | 1 | |
| 31 | 0010-023010-0010 | BOLT M6x20 | 螺栓 | 2 | M6x20 |
| 32 | 0010-021017-0010 | BOLT M6x25 | 螺栓 | 23 | M6x25 |
| 33 | 0020-011018-00001 | BOLT M6x70 | 螺栓 | 1 | M6x70 |
| 34 | 0700-014003 | WIRE CLIP | 线夹 | 1 | |
| 35 | 0700-066005 | PLUG 6 | 堵头6 | 1 | 6 |
| 36 | 0700-065203 | SPRING | 弹簧 | 1 | |

E01-3 油底壳分总成 OIL PAN



| Item No | Parts Number | Parts Name(EN) | Parts Name(CN) | Qty | Remark(s) |
|---------|-------------------|----------------------|----------------|-----|-----------|
| 01 | 0700-015004-10000 | GASKET, OIL PAN | 油底壳垫片 | 1 | |
| 02 | 0700-015003 | HOLDER, OIL STRAINER | 机油粗滤网压板 | 1 | |
| 03 | 0700-015002 | OIL STRAINER | 机油粗滤网 | 1 | |
| 04 | 0700-015001-00001 | OIL PAN | 油底壳 | 1 | |
| 05 | 0010-021014 | WASHER 12 | 垫圈12 | 1 | 12 |
| 06 | 0700-015006 | DRAIN BOLT, M12x22 | 放油螺栓 | 1 | M12x22 |
| 07 | 0010-080010-0010 | BOLT M6x10 | 螺栓 | 2 | M6x10 |
| 08 | 0010-021017-0010 | BOLT M6x25 | 螺栓 | 10 | M6x25 |

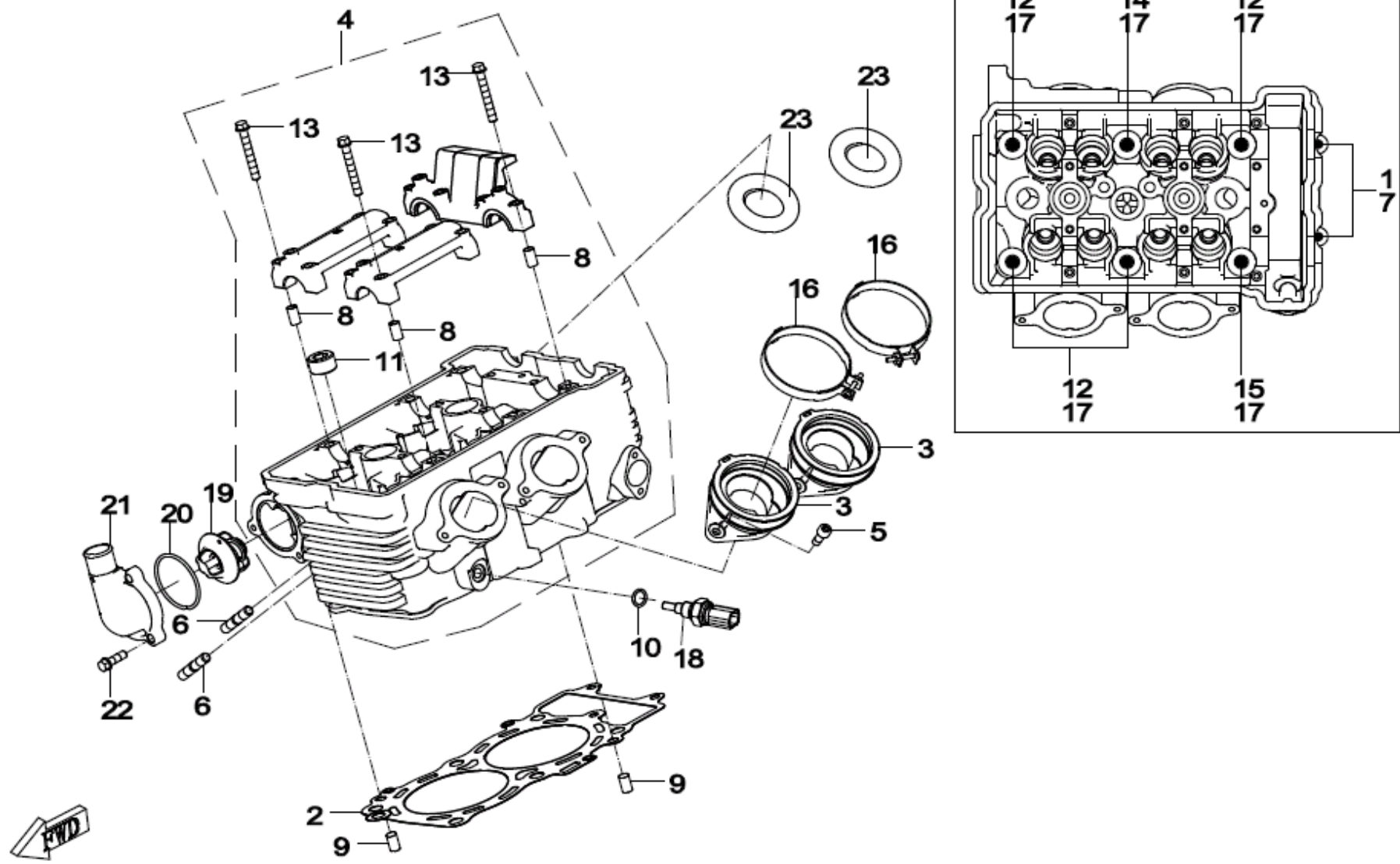
E04-A 气缸盖罩分总成/CYLINDER HEAD COVER



FWD

| Item No | Parts Number | Parts Name(EN) | Parts Name(CN) | Qty | Remark(s) |
|---------|-------------------|------------------------------------|----------------|-----|-----------|
| 01 | 0700-021001-3B201 | COVER, CYLINDER HEAD | 气缸盖罩 | 1 | |
| 02 | 0700-021400-00010 | SEAL RING, CYLINDER HEAD COVER | 气缸盖罩密封圈 | 1 | |
| 03 | 0700-021003-00001 | CYLINDER HEAD COVER BOLT | 气缸盖罩螺栓 | 4 | |
| 04 | 0010-021019-0010 | BOLT M6x12 | 螺栓 | 1 | |
| 05 | 0700-021002 | BRACKET, CLUTCH CABLE | 离合器拉索支架 | 1 | |
| 06 | 0700-021300 | SEAL RING, SPARK PLUG HOLE | 火花塞孔密封圈 | 2 | |
| 07 | 0700-021200 | CYLINDER HEAD COVER BOLT SEAL RING | 气缸盖罩螺栓密封圈 | 4 | |

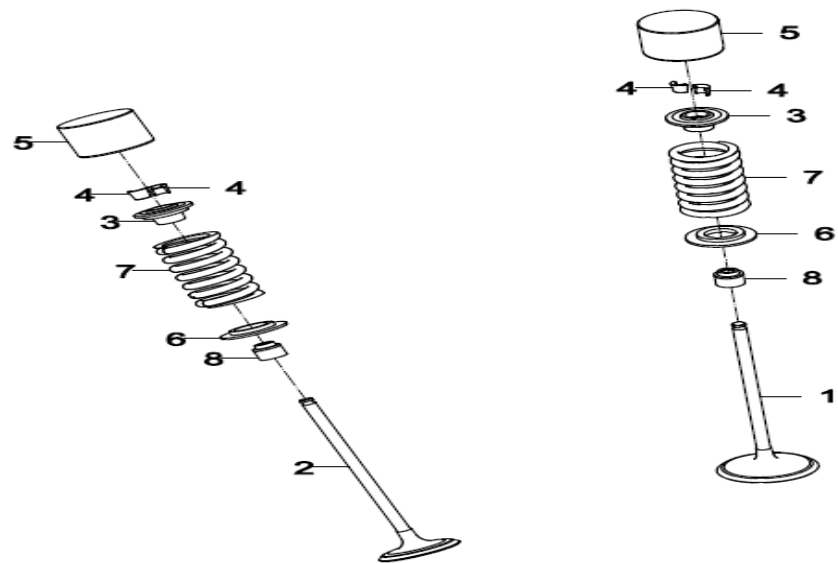
E02-2 气缸盖分总成(1)/CYLINDER HEAD(1)



| Item No | Parts Number | Parts Name(EN) | Parts Name(CN) | Qty | Remark(s) |
|---------|-------------------|---------------------------|----------------|-----|---------------------------------|
| 01 | 0HU0-022002 | INNER HEX SCREW M6x30 | 内六角圆柱头螺钉M6x30 | 2 | |
| 02 | 0700-022100-0001 | GASKET KIT, CYLINDER HEAD | 气缸盖垫片组件 | 1 | |
| 03 | 0700-022320-1000 | AIR INLET PIPE | 进气管组件 | 2 | |
| 04 | 0700-022200-1B201 | CYLINDER HEAD ASSY | 气缸盖部件 | 1 | |
| 05 | 30102-060016810 | SCREW | 螺钉M6x16 | 4 | |
| 06 | 0180-022003-00001 | STUD | 双头螺柱 | 4 | |
| 07 | 0060-030004-0030 | WASHER 6x10.4x1.6 | 垫圈 | 2 | 6x10.4x1.6 |
| 08 | 0010-080008 | DOWEL PIN | 定位销Φ8X14 | 6 | 8X14 |
| 09 | 0700-022018 | SOLID PIN 8x14 | 实心销 | 2 | 8x14 |
| 10 | 0700-022019 | WASHER | 垫圈 | 1 | 12.5x20x1 |
| 11 | 0700-022236 | PLUG, PT1/2 | 锥堵1/2 | 3 | |
| 12 | 0700-022013-00001 | CYLINDER HEAD BOLT | 气缸盖螺栓 | 4 | M10x158@GALVANIZED TRIVALENT CH |
| 13 | 0700-022204 | HEX FLANGE BOLT M6x45 | 六角法兰面螺栓 | 12 | M6X45 |
| 14 | 0700-022014-10001 | CYLINDER HEAD BOLT | 气缸盖螺栓 | 1 | M10x176@GALVANIZED TRIVALENT CH |
| 15 | 0700-022015-00002 | CYLINDER HEAD BOLT | 气缸盖螺栓 | 1 | M10x1.25x80@GALVANIZED TRIVALEN |
| 16 | 0700-022330 | CLAMP, AIR INLET PIPE | 进气管卡箍组件 | 2 | |
| 17 | 0700-022016 | WASHER 10.5x19x2.3 | 垫圈 | 6 | 10.5x19x2.3 |
| 18 | 018B-022810 | WATER TEMPERATURE SENSOR | 水温传感器 | 1 | |
| 19 | 0700-022500-0001 | THERMOSTAT | 调温器 | 1 | |
| 20 | 0700-022011 | O-SEAL RING 44.5x2.5 | O形密封圈 | 1 | 44.5x2.5 |
| 21 | 0700-022009-1B200 | THERMOSTAT CAP | 节温器盖 | 1 | |
| 22 | 0010-023010-0010 | BOLT M6x20 | 螺栓 | 3 | M6x20 |
| 23 | 0700-022012 | GASKET, EXHAUST PIPE | 排气管衬垫 | 2 | |

E02-3 气缸盖分总成 (2) CYLINDER HEAD (2)

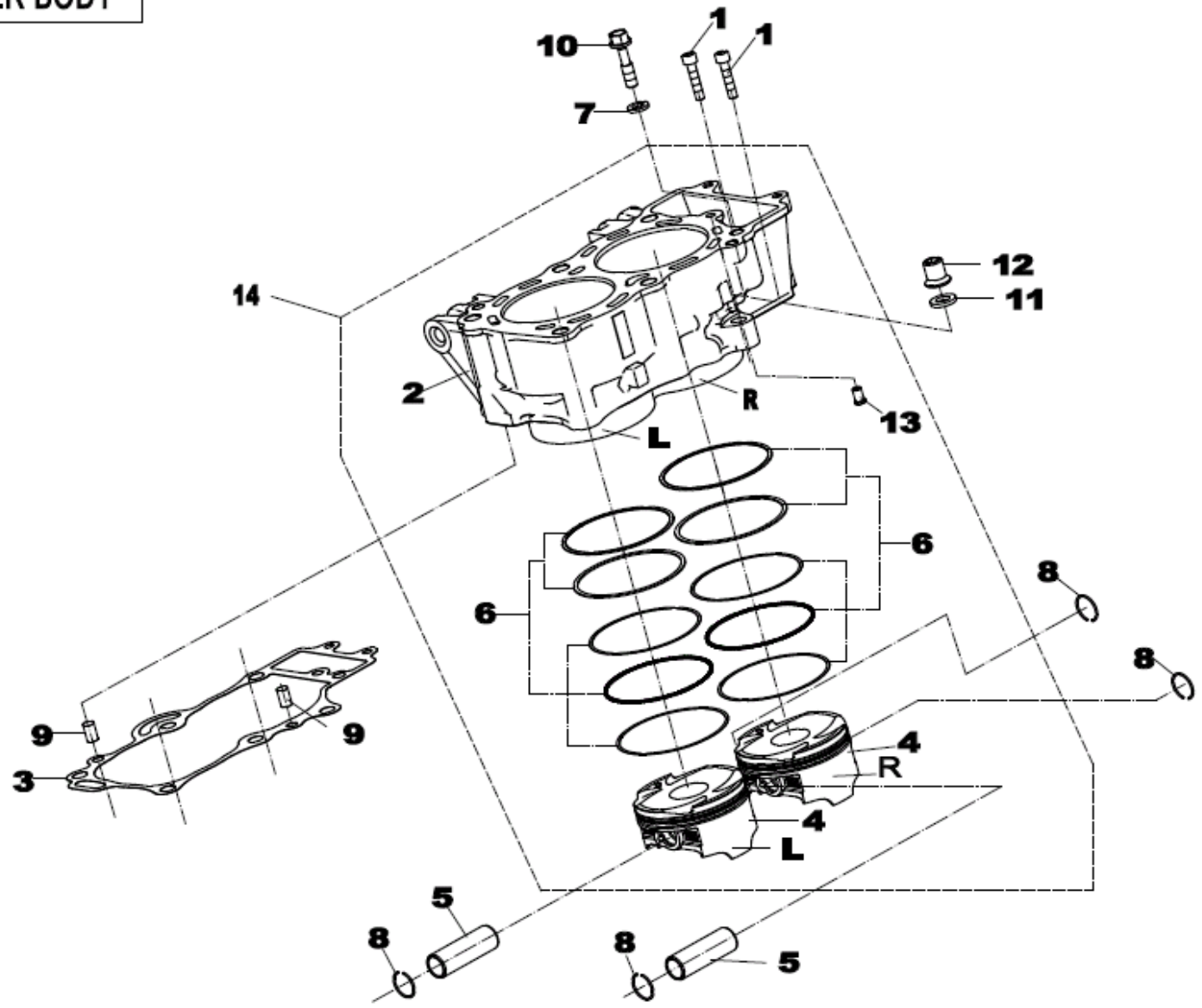
E02-3 气缸盖分总成(2)/CYLINDER HEAD(2)



| Item No | Parts Number | Parts Name(EN) | Parts Name(CN) | Qty | Remark(s) |
|---------|-------------------|--------------------------|----------------|-----|-----------|
| 01 | 0700-022001-20000 | INTAKE VALVE | 进气门 | 4 | |
| 02 | 0700-022002-20001 | EXHAUST VALVE | 排气门 | 4 | |
| 03 | 0700-022003 | UPPER SEAT, VALVE SPRING | 气门弹簧上座 | 8 | |
| 04 | 0700-022004 | LOCK CLIP, VALVE | 气门锁夹 | 16 | |
| 05 | 0700-022005-15500 | TAPPET | 挺柱 | 8 | t=4.28 |
| 05 | 0700-022005-0530 | TAPPET | 挺柱 | 8 | t=4.26 |
| 05 | 0700-022005-0520 | TAPPET | 挺柱 | 8 | t=4.24 |
| 05 | 0700-022005-15200 | TAPPET | 挺柱 | 8 | t=4.22 |
| 05 | 0700-022005-15100 | TAPPET | 挺柱 | 8 | t=4.20 |
| 05 | 0700-022005-0490 | TAPPET | 挺柱 | 8 | t=4.18 |
| 05 | 0700-022005-0480 | TAPPET | 挺柱 | 8 | t=4.16 |
| 05 | 0700-022005-0470 | TAPPET | 挺柱 | 8 | t=4.14 |
| 05 | 0700-022005-0460 | TAPPET | 挺柱 | 8 | t=4.12 |
| 05 | 0700-022005-0450 | TAPPET | 挺柱 | 8 | t=4.10 |

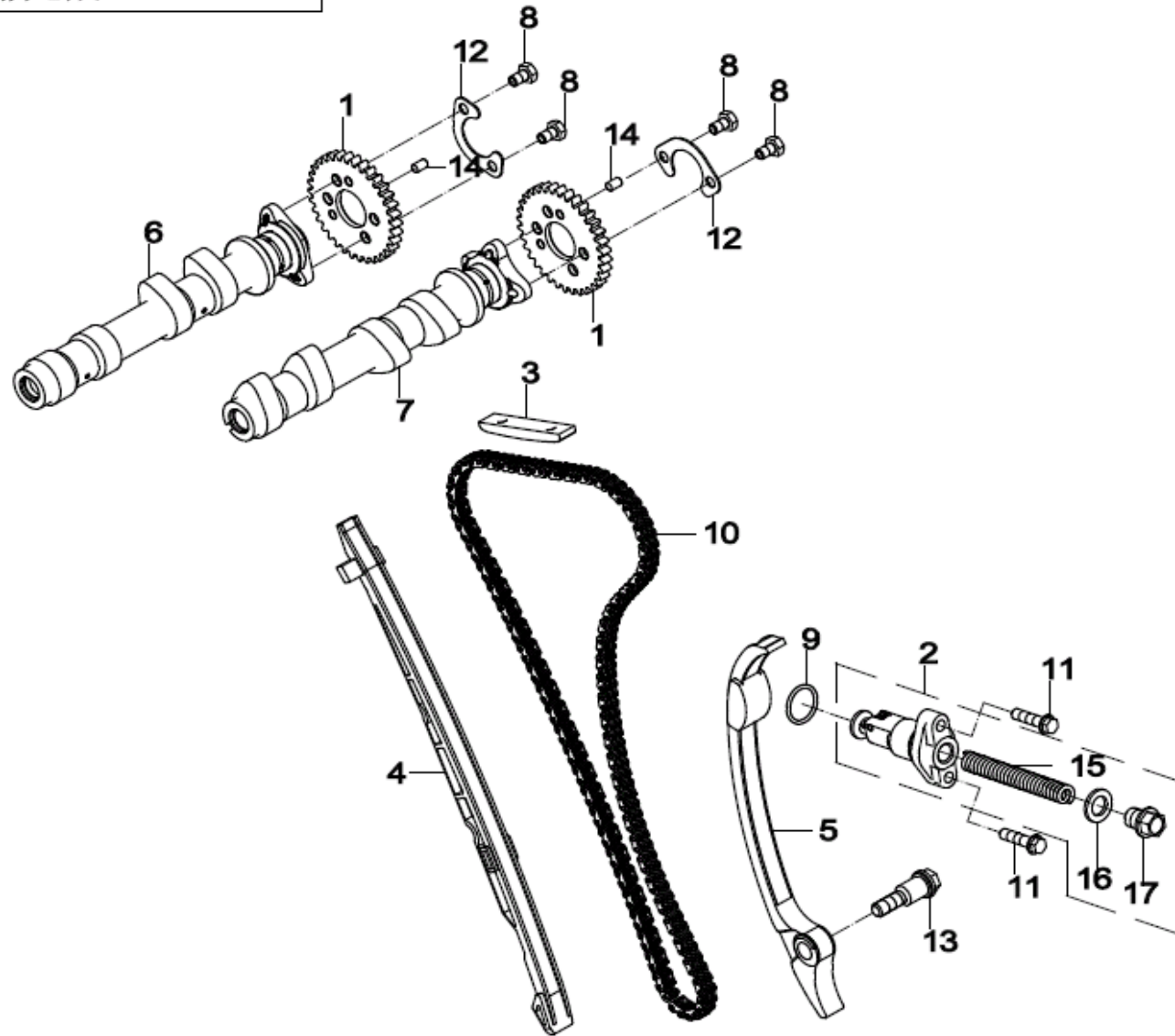
| | | | | | |
|----|-------------------|--------------------------|----------|---|--------|
| 05 | 0700-022005-0440 | TAPPET | 挺柱 | 8 | t=4.08 |
| 05 | 0700-022005-0430 | TAPPET | 挺柱 | 8 | t=4.06 |
| 05 | 0700-022005-0420 | TAPPET | 挺柱 | 8 | t=4.04 |
| 05 | 0700-022005-0410 | TAPPET | 挺柱 | 8 | t=4.02 |
| 05 | 0700-022005-0400 | TAPPET | 挺柱 | 8 | t=4.00 |
| 05 | 0700-022005-0390 | TAPPET | 挺柱 | 8 | t=3.98 |
| 05 | 0700-022005-0380 | TAPPET | 挺柱 | 8 | t=3.96 |
| 05 | 0700-022005-0370 | TAPPET | 挺柱 | 8 | t=3.94 |
| 05 | 0700-022005-0360 | TAPPET | 挺柱 | 8 | t=3.92 |
| 05 | 0700-022005-0350 | TAPPET | 挺柱 | 8 | t=3.90 |
| 05 | 0700-022005-0340 | TAPPET | 挺柱 | 8 | t=3.88 |
| 05 | 0700-022005-0330 | TAPPET | 挺柱 | 8 | t=3.86 |
| 05 | 0700-022005-0320 | TAPPET | 挺柱 | 8 | t=3.84 |
| 05 | 0700-022005-0310 | TAPPET | 挺柱 | 8 | t=3.82 |
| 05 | 0700-022005-0300 | TAPPET | 挺柱 | 8 | t=3.80 |
| 05 | 0700-022005-0290 | TAPPET | 挺柱 | 8 | t=3.78 |
| 05 | 0700-022005-0280 | TAPPET | 挺柱 | 8 | t=3.76 |
| 05 | 0700-022005-12800 | TAPPET | 挺柱 | 8 | t=3.74 |
| 05 | 0700-022005-0260 | TAPPET | 挺柱 | 8 | t=3.72 |
| 05 | 0700-022005-0250 | TAPPET | 挺柱 | 8 | t=3.70 |
| 05 | 0700-022005-0240 | TAPPET | 挺柱 | 8 | t=3.68 |
| 05 | 0700-022005-0230 | TAPPET | 挺柱 | 8 | t=3.66 |
| 05 | 0700-022005-0220 | TAPPET | 挺柱 | 8 | t=3.64 |
| 05 | 0700-022005-0210 | TAPPET | 挺柱 | 8 | t=3.62 |
| 05 | 0700-022005-0200 | TAPPET | 挺柱 | 8 | t=3.60 |
| 05 | 0700-022005-0190 | TAPPET | 挺柱 | 8 | t=3.58 |
| 05 | 0700-022005-0180 | TAPPET | 挺柱 | 8 | t=3.56 |
| 05 | 0700-022005-0170 | TAPPET | 挺柱 | 8 | t=3.54 |
| 05 | 0700-022005-0160 | TAPPET | 挺柱 | 8 | t=3.52 |
| 05 | 0700-022005-0150 | TAPPET | 挺柱 | 8 | t=3.50 |
| 05 | 0700-022005-0140 | TAPPET | 挺柱 | 8 | t=3.48 |
| 05 | 0700-022005-0130 | TAPPET | 挺柱 | 8 | t=3.46 |
| 05 | 0700-022005-0120 | TAPPET | 挺柱 | 8 | t=3.44 |
| 06 | 0700-022006 | LOWER SEAT, VALVE SPRING | 气门弹簧下座 | 8 | |
| 07 | 0700-022007 | SPRING, VALVE | 气门弹簧 | 8 | |
| 08 | 0700-022400-1000 | SEAL RING, VALVE STEM | 气门杆密封圈组件 | 8 | |

E02-4 气缸体分总成/CYLINDER BODY



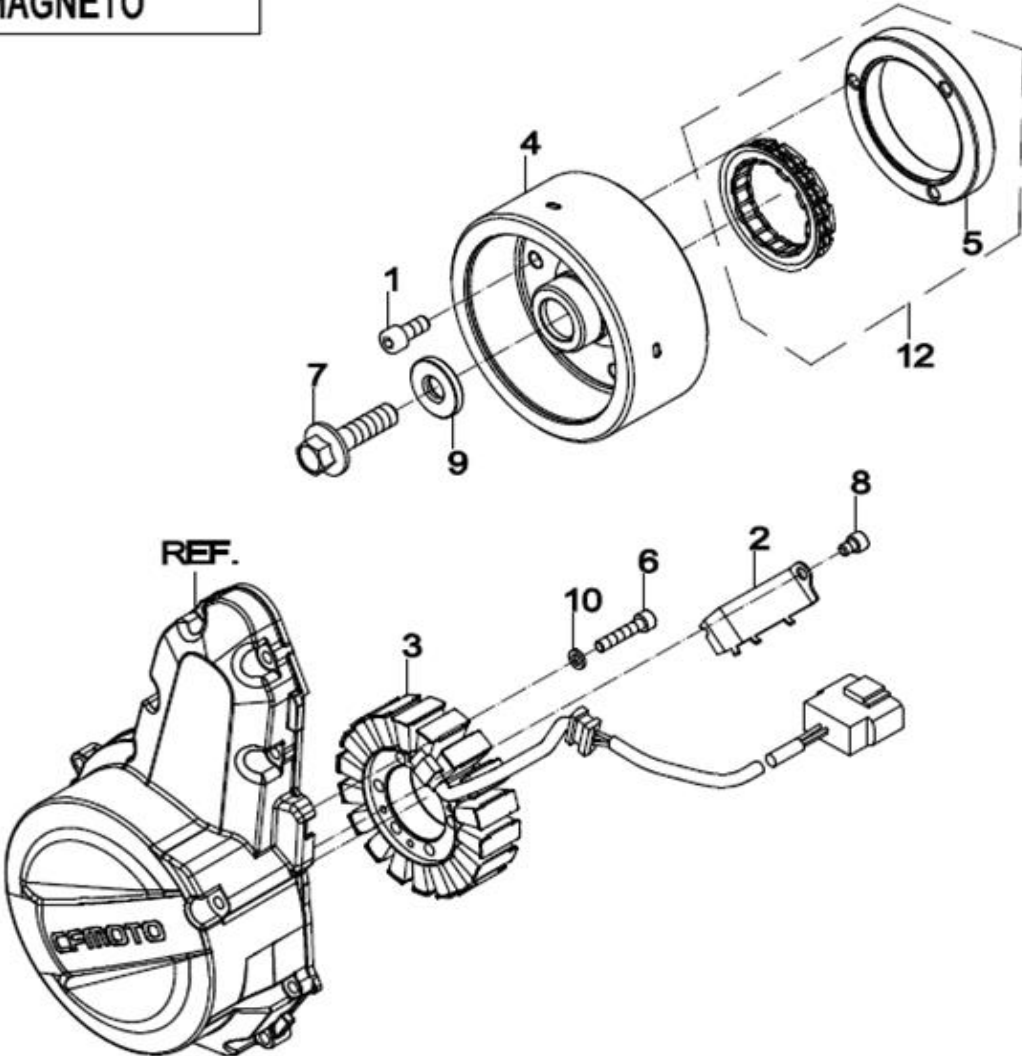
| Item No | Parts Number | Parts Name(EN) | Parts Name(CN) | Qty | Remark(s) |
|---------|-------------------|-----------------------|----------------|-----|--------------------|
| 01 | 0060-030003-0030 | INNER HEX BOLT | 内六角圆柱头螺栓 | 2 | M6x30 |
| 02 | 0700-023001-4B200 | CYLINDER BODY | 气缸体 | 1 | MATTE BLACK |
| 03 | 0700-023002-0001 | GASKET, CYLINDER | 气缸体垫片 | 1 | |
| 04 | 0700-040007-20010 | PISTON | 活塞 | 2 | 2, 82.976 ~ 82.982 |
| 04 | 0700-040007-20020 | PISTON | 活塞 | 2 | 1, 82.970 ~ 82.976 |
| 05 | 0700-040008 | PISTON PIN | 活塞销 | 2 | |
| 06 | 0700-0400A0 | PISTON RING ASSY | 活塞环组合 | 2 | |
| 07 | 0700-023004 | WASHER | 垫圈 | 1 | 8.5x15.5x2 |
| 08 | 0700-040009 | CIRCLIP, PISTON PIN | 活塞销挡圈 | 4 | |
| 09 | 0700-022018 | SOLID PIN 8x14 | 实心销 | 2 | 8x14 |
| 10 | 0700-023003-00001 | BOLT M8x43 | 螺栓 | 1 | M8x43 |
| 11 | 0700-022016 | WASHER 10.5x19x2.3 | 垫圈 | 1 | 10.5x19x2.3 |
| 12 | 0700-011111-00001 | NUT M10x1.25 | 螺母 | 1 | M10x1.25 |
| 13 | 0700-023005 | RESTRICTION PLUG | 节流塞 | 1 | |
| 14 | 0700-0230A0 | PISTON, CYLINDER BODY | 气缸体活塞组合 | 1 | |

E02-5 配气传动分总成CAMSHAFT



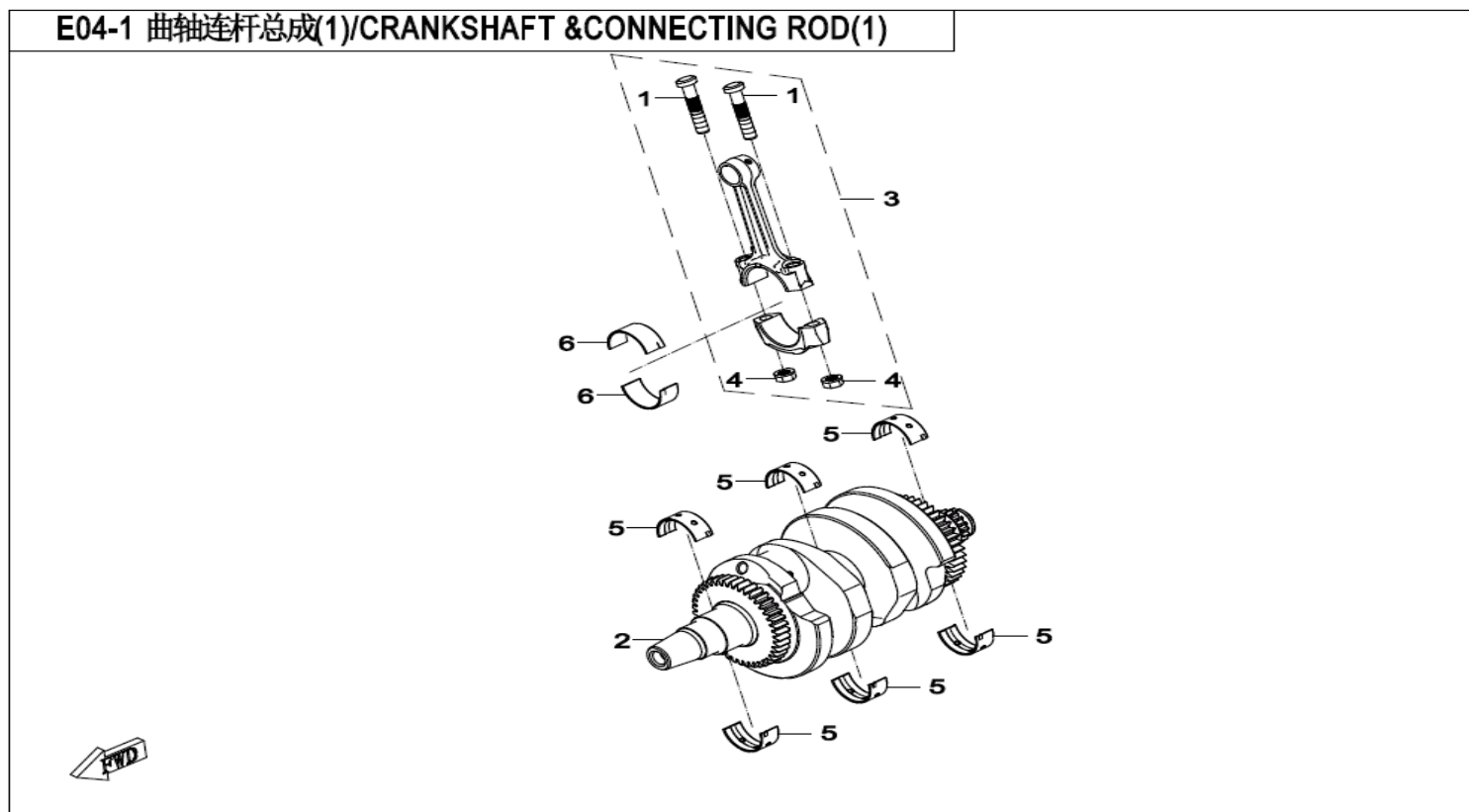
| Item No | Parts Number | Parts Name(EN) | Parts Name(CN) | Qty | Remark(s) |
|---------|-------------------|----------------------|----------------|-----|-----------|
| 01 | 0700-024002-0001 | TIMING SPROCKET | 正时链轮 | 2 | |
| 02 | 0700-024100-10000 | TENSIONER | 张紧器组件 | 1 | |
| 03 | 0700-022017 | CHAIN GUIDE BLOCK | 导链块 | 1 | |
| 04 | 0700-024006 | CHAIN GUIDE | 链条导板 | 1 | |
| 05 | 0700-024300 | TENSION PLATE ASSY | 张紧板组件 | 1 | |
| 06 | 0700-024500 | CAMSHAFT, EXHAUST | 排气凸轮轴组件 | 1 | |
| 07 | 0700-024400 | CAMSHAFT, AIR INLET | 进气凸轮轴组件 | 1 | |
| 08 | 30004-060010150 | BOLT M6x10 | 螺栓 | 4 | M6x10 |
| 09 | 0700-024001 | O-SEAL RING 19x2 | O形密封圈 | 1 | 19x2 |
| 10 | 0700-024200-00030 | TIMING CHAIN | 正时链条组件 | 1 | |
| 11 | 0010-070003-00001 | BOLT M6x28 | 螺栓 | 2 | M6x28 |
| 12 | 0700-024003 | RETAINER | 止动挡片 | 2 | |
| 13 | 0700-024008-00001 | PIN SHAFT | 螺纹销轴 | 1 | |
| 14 | 30406-00501 | ROLLER NEEDLE P5x7.8 | 滚针P5X7.8 | 2 | P5X7.8 |
| 15 | 0700-024104 | SPRING, TENSIONER | 张紧弹簧 | 1 | |
| 16 | 0700-024106 | WASHER | 垫圈 | 1 | 11.5x17x2 |
| 17 | 0700-024107-00001 | SPRING SEAT BOLT | 弹簧座螺栓 | 1 | |

E03 磁电机总成/MAGNETO



| Item No | Parts Number | Parts Name(EN) | Parts Name(CN) | Qty | Remark(s) |
|---------|-------------------|-----------------------|----------------|-----|---------------|
| 01 | 0110-090009-00001 | INNER HEX SCREW M8x18 | 内六角圆柱头螺钉 | 3 | M8x18 |
| 02 | 0700-030001-00001 | PLATE | 压线板 | 1 | |
| 03 | 0700-032000-10000 | MAGNETO STATOR | 磁电机定子组合 | 1 | SUMITOMO PLUG |
| 04 | 0700-031000 | MAGNETO ROTOR | 磁电机转子组合 | 1 | |
| 05 | 0700-091001 | COUPLING | 单向器座 | 1 | |
| 06 | 0060-030003-0030 | INNER HEX BOLT | 内六角圆柱头螺栓 | 3 | M6x30 |
| 07 | 0700-040001-20000 | BOLT M12x1.25x45 | 螺栓M12x1.25x45 | 1 | |
| 08 | 0010-090006-0010 | SCREW M6x12 | 螺钉 | 1 | |
| 09 | 0700-040002-00001 | WASHER | 垫圈 | 1 | 12.5x33x5 |
| 10 | 0060-030004-0030 | WASHER 6x10.4x1.6 | 垫圈 | 3 | 6x10.4x1.6 |
| 12 | 0700-091000 | OVERRIDING CLUTCH | 超越离合器组件 | 1 | |

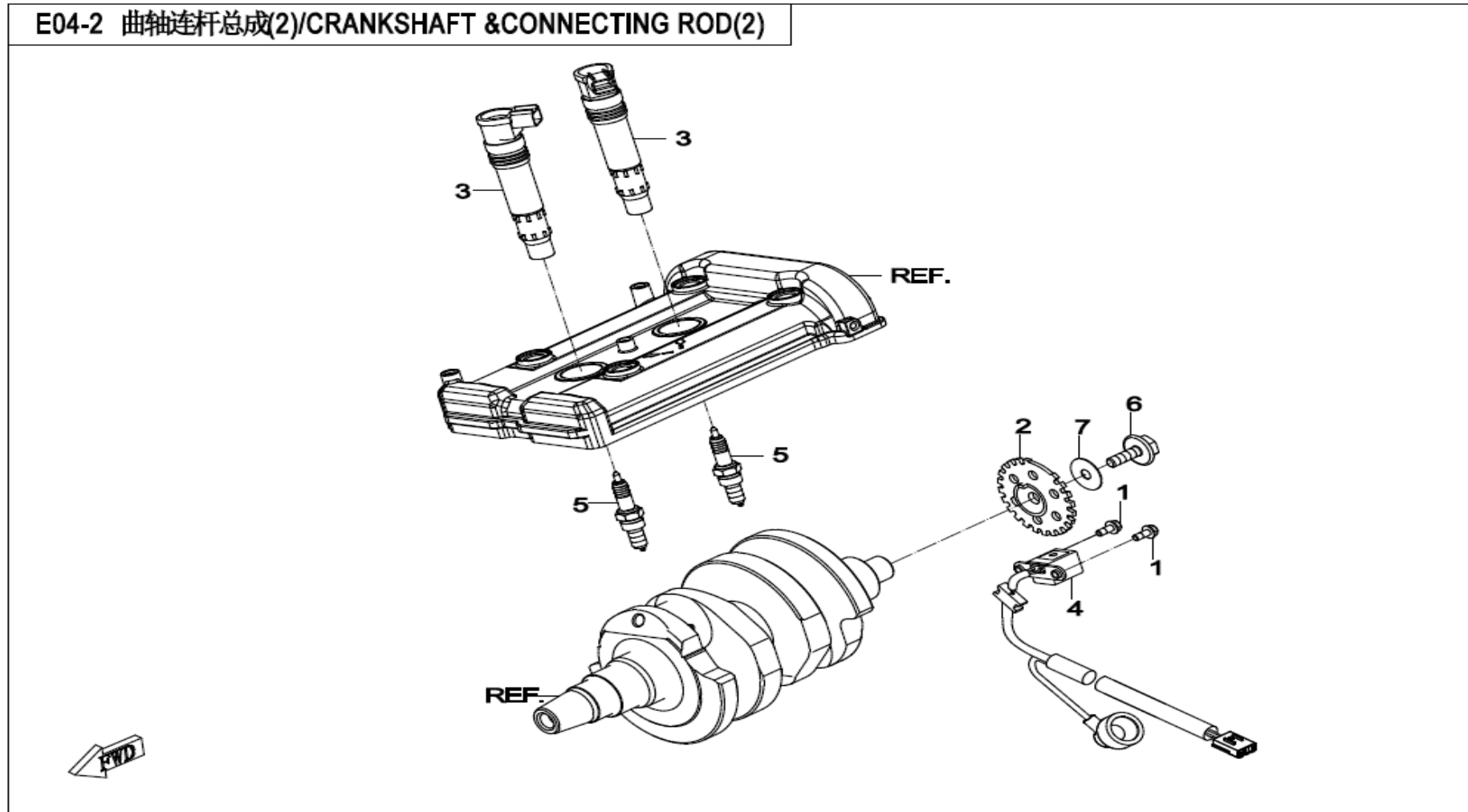
E04-1-V2 曲轴连杆总成 (1) CRANKSHAFT &CONNECTING ROD (1)



| Item No | Parts Number | Parts Name(EN) | Parts Name(CN) | Qty | Remark(s) |
|---------|-------------------|-------------------------------|----------------|-----|--------------------|
| 01 | 0700-041203-10000 | CONNECTING ROD BOLT | 连杆螺栓 | 4 | |
| 02 | 0700-041100-10000 | CRANKSHAFT ASSY | 曲轴组合 | 1 | |
| 03 | 0700-041200-40011 | CONNECTING ROD | 连杆组合 | 2 | |
| 04 | 0700-041204 | NUT, CONNECTING ROD | 连杆螺母 | 4 | |
| 05 | 0700-011003-00021 | PLAIN BEARING, MAIN | 主轴瓦 | 6 | BLUE |
| 05 | 0700-011003-00011 | PLAIN BEARING, MAIN | 主轴瓦 | 6 | BLACK |
| 06 | 0700-041001-30020 | PLAIN BEARING, CONNECTING ROD | 连杆轴瓦 | 4 | BLUE_1.488~1.491 |
| 06 | 0700-041001-30010 | PLAIN BEARING, CONNECTING ROD | 连杆轴瓦 | 4 | BLACK_1.485~1.488 |
| 06 | 0700-041001-30030 | PLAIN BEARING, CONNECTING ROD | 连杆轴瓦 | 4 | GREEN_1.491~1.494 |
| 06 | 0700-041001-30040 | PLAIN BEARING, CONNECTING ROD | 连杆轴瓦 | 4 | YELLOW_1.494~1.497 |
| 06 | 0700-041001-30050 | PLAIN BEARING, CONNECTING ROD | 连杆轴瓦 | 4 | RED_1.497~1.500 |

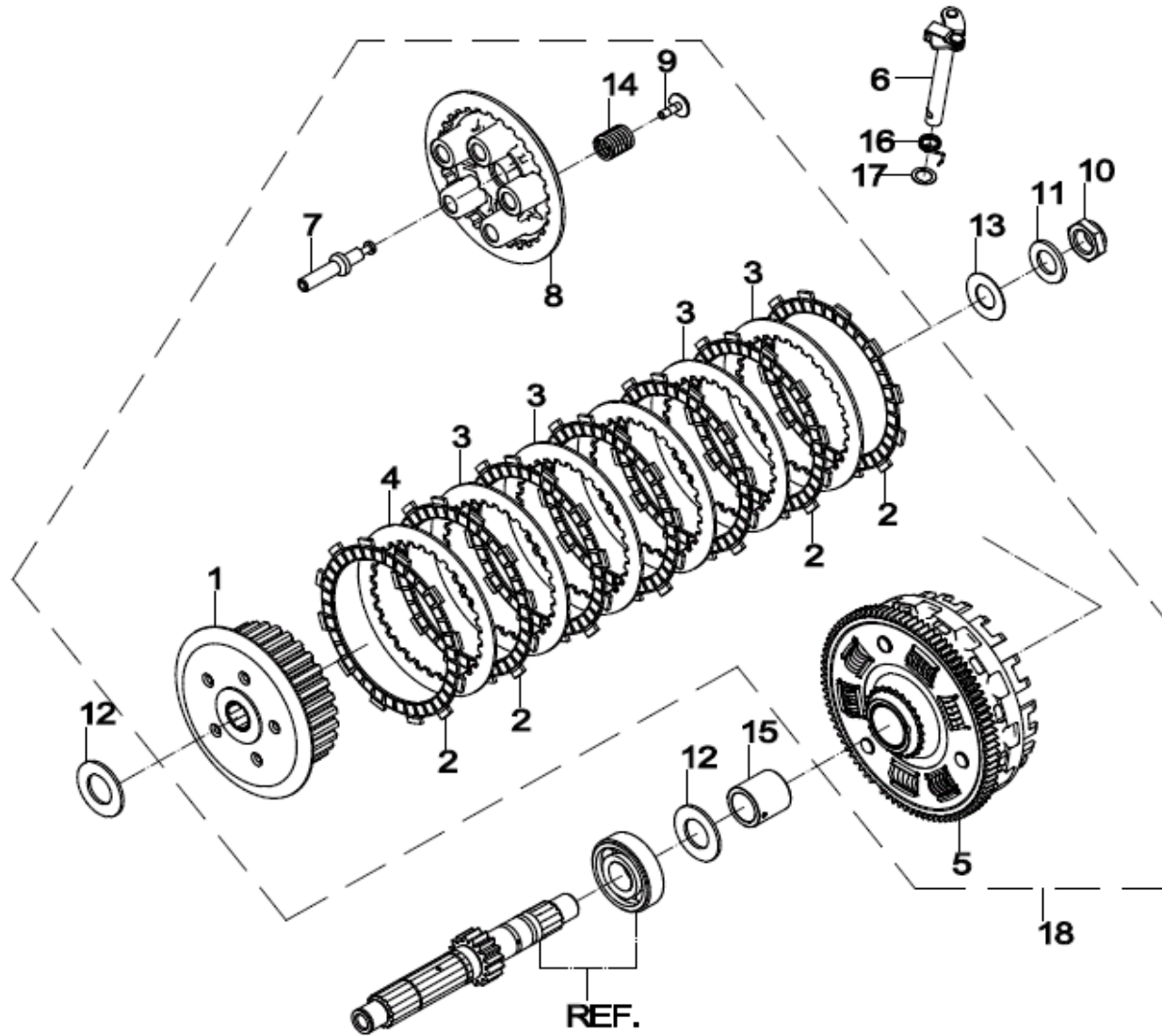
E04-2 曲轴连杆总成 (2) CRANKSHAFT &CONNECTING ROD (2)

E04-2 曲轴连杆总成(2)/CRANKSHAFT &CONNECTING ROD(2)



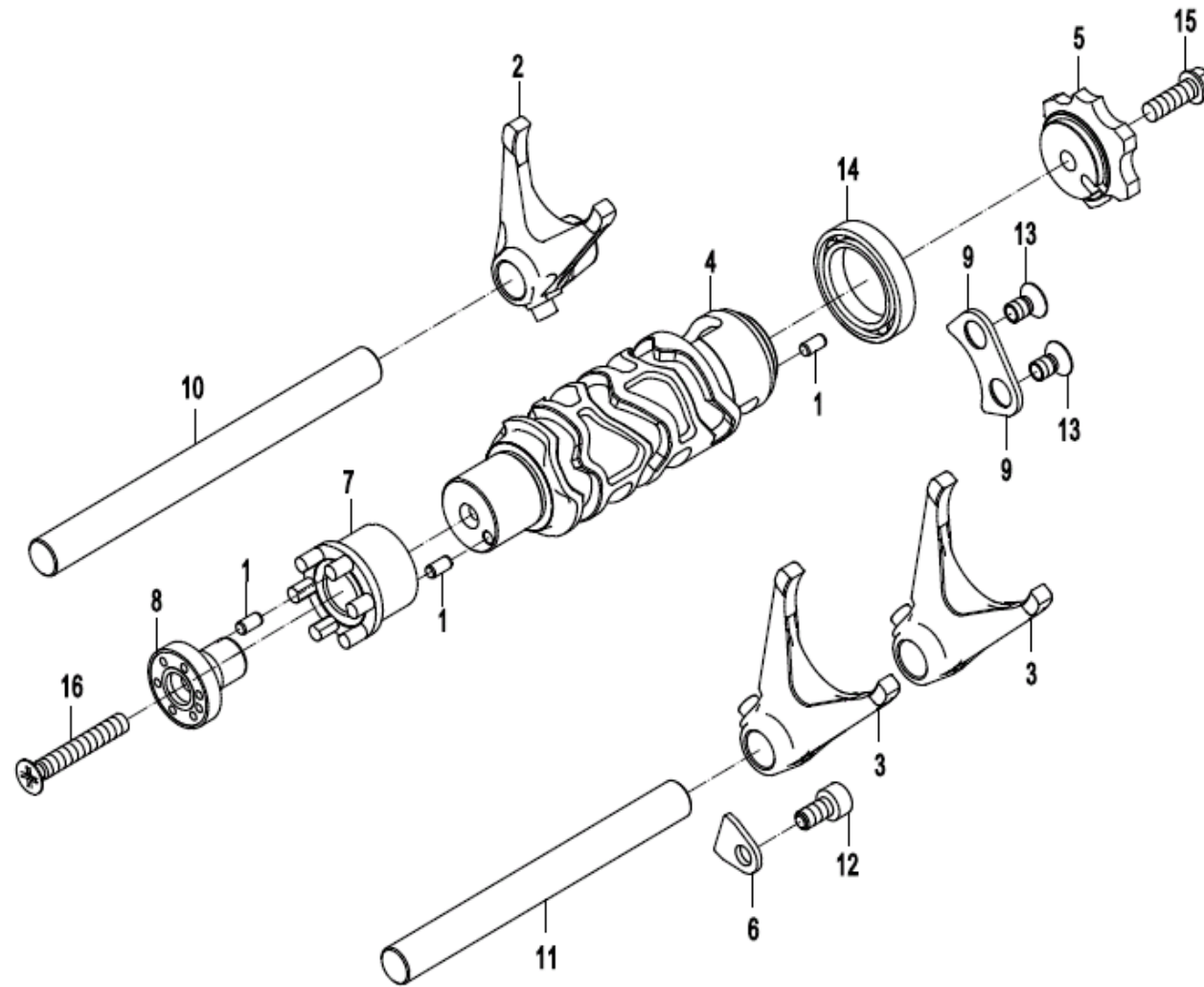
| Item No | Parts Number | Parts Name(EN) | Parts Name(CN) | Qty | Remark(s) |
|---------|-------------------|--------------------------|----------------|-----|------------|
| 01 | 0700-012013-00001 | BOLT M5x12 | 螺栓 | 2 | M5x12 |
| 02 | 0700-040005-10000 | PULSING ROTOR, CRANKCASE | 曲轴转速触发盘 | 1 | |
| 03 | 0700-178000 | IGNITION COIL | 点火线圈 | 2 | |
| 04 | 0700-012400-00001 | PICK UP ASSY | 触发器组件 | 1 | |
| 05 | 0700-170200 | SPARK PLUG | 火花塞组件 | 2 | |
| 06 | 0700-040003-00001 | BOLT M8x23 | 螺栓M8x23 | 1 | |
| 07 | 0700-040004 | WASHER | 垫圈 | 1 | 8.5x28x0.8 |

E05 离合器总成/CLUTCH



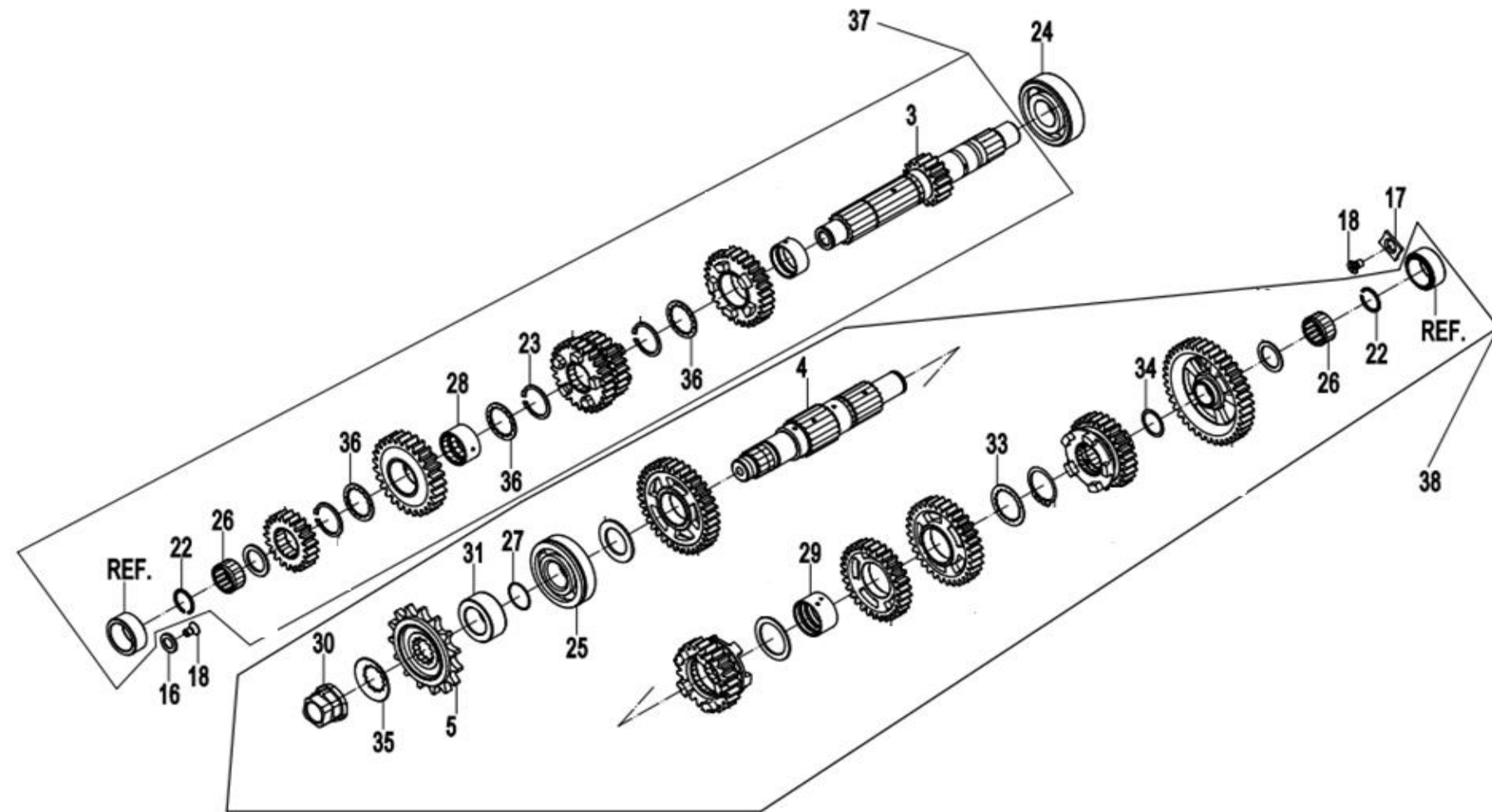
| Item No | Parts Number | Parts Name(EN) | Parts Name(CN) | Qty | Remark(s) |
|---------|-------------------|-----------------------------|----------------|-----|-------------|
| 01 | 0700-050100 | CENTRAL SLEEVE | 中心套组件 | 1 | |
| 02 | 0700-050200 | FRICTION PLATE | 摩擦片组件 | 7 | |
| 03 | 0700-050001 | STEEL PLATE B | 钢片B | 5 | t=2.5 |
| 04 | 0700-050005 | STEEL PLATE A | 钢片A | 1 | t=2.0 |
| 05 | 0700-051000 | HOUSING ASSY | 外罩组合 | 1 | |
| 06 | 0700-013200-20000 | CLUTCH CONTROL SHAFT ASSY | 离合控制轴组件 | 1 | |
| 07 | 0700-050004 | TIE-ROD | 拉杆 | 1 | |
| 08 | 0700-0500B0 | OPERATING PAD, CLUTCH | 压盘合件 | 1 | |
| 09 | 0700-050300 | BOLT ASSY | 螺栓组合件 | 5 | M6x20 |
| 10 | 0700-061002-00002 | NUT | 螺母 | 1 | |
| 11 | 0700-061003 | CIRCLIP 20 | 弹性垫圈20 | 1 | 20 |
| 12 | 0700-061005 | WASHER | 垫圈 | 2 | 25.5x47x2.5 |
| 13 | 0A70-011007 | WASHER 20x40x1 | 垫圈 | 1 | 20x40x1 |
| 14 | 0700-050002 | PRESS SPRING | 压簧 | 5 | |
| 15 | 0700-061004-00010 | SHAFT SLEEVE, CLUTCH | 离合器轴套 | 1 | |
| 16 | 0700-013006-10000 | RETURN SPRING, CLUTCH LEVER | 离合操纵杆回位扭簧 | 1 | |
| 17 | 0700-013007-10000 | WASHER 12.5x18.5x0.6 | 垫圈 | 1 | |
| 18 | 0700-052000-00010 | CLUTCH ASSY | 离合器总成 | 1 | |

E06-1 换档变速总成(1)/TRANSMISSION SYSTEM(1)

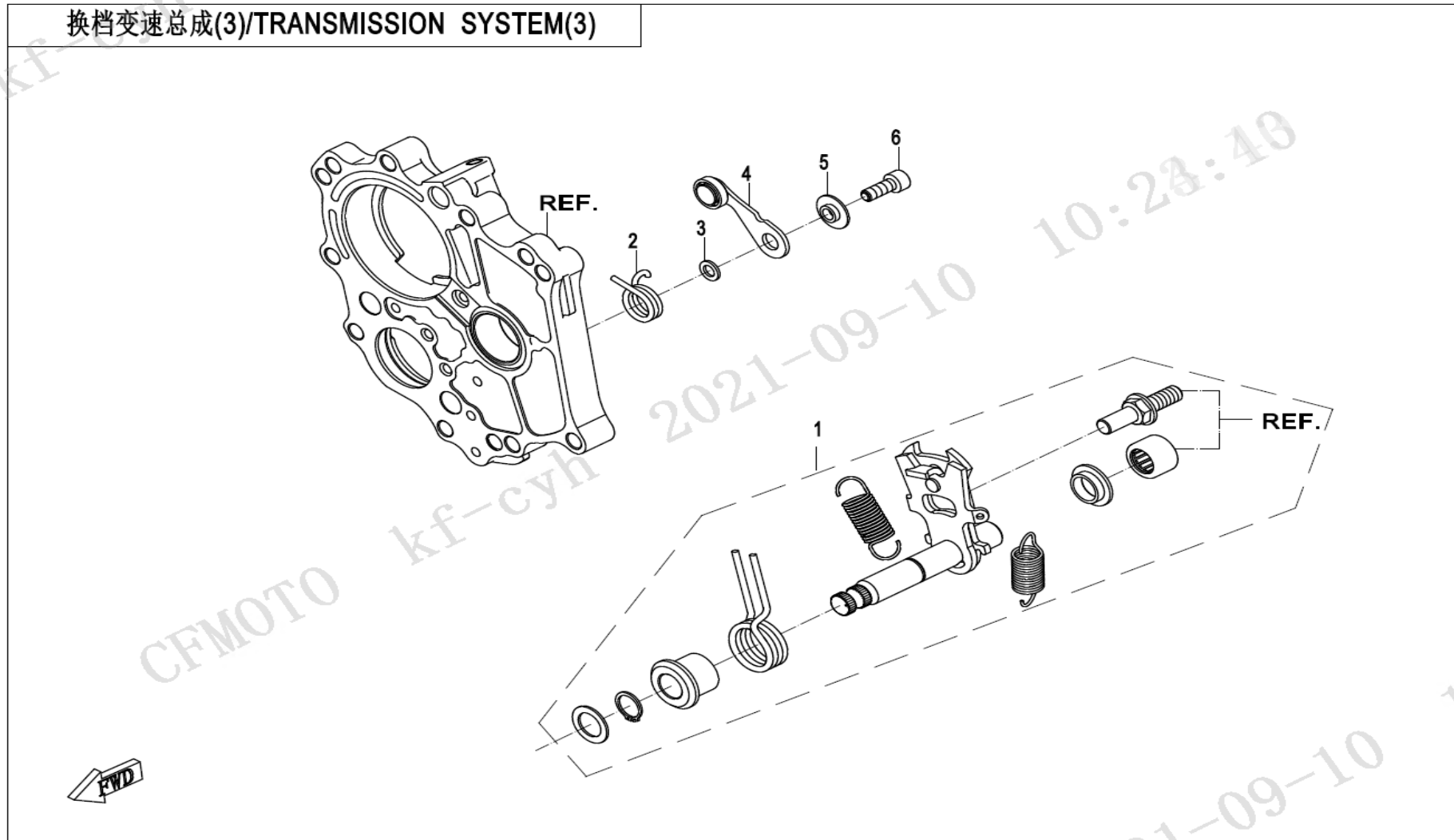


| Item No | Parts Number | Parts Name(EN) | Parts Name(CN) | Qty | Remark(s) |
|---------|-------------------|--------------------------|----------------|-----|-----------------------|
| 01 | 30406-00401 | ROLLER NEEDLE P4x7.8 | 滚针P4x7.8 | 3 | P4x7.8 |
| 02 | 0700-060004-1000 | FORK, MAIN SHAFT | 主轴拨叉 | 1 | |
| 03 | 0700-060002-1000 | SHIFT FORK, COUNTERSHAFT | 副轴拨叉 | 2 | |
| 04 | 0700-063001-10001 | GEARSHIFT DRUM | 变档鼓 | 1 | |
| 05 | 0700-063002 | CAM, GEARSHIFT DRUM | 定位星轮 | 1 | |
| 06 | 0700-066008 | PLATE 2 | 挡板2 | 1 | |
| 07 | 0700-063003-00001 | SHIFT LOCATION DRUM | 拨轮 | 1 | |
| 08 | 0700-063100-30001 | GEAR SENSOR | 档位传感器 | 1 | |
| 09 | 0700-066009 | PLATE 3 | 挡板3 | 1 | |
| 10 | 0700-060003 | FORK SHAFT, MAIN SHAFT | 主轴拨叉轴 | 1 | |
| 11 | 0700-060001 | SHIFT FORK, COUNTERSHAFT | 副轴拨叉轴 | 1 | |
| 12 | 0010-090006-0050 | SCREW M6x12 | 螺钉 | 1 | M6x12 Black oxidation |
| 12 | 0010-090006-0010 | SCREW M6x12 | 螺钉 | 1 | |
| 13 | 0700-066010-00001 | SCREW, BEARING PLATE | 轴承压板螺钉 | 2 | |
| 14 | 30400-02504 | BEARING | 深沟球轴承 | 1 | |
| 15 | 0010-023008-0010 | BOLT M6x18 | 螺栓 | 1 | M6x18 |
| 16 | 30128-060040700 | SCREW M6x40-H | 螺钉 | 1 | M6x40-H |

E06-2 换档变速总成(2)/TRANSMISSION SYSTEM(2)

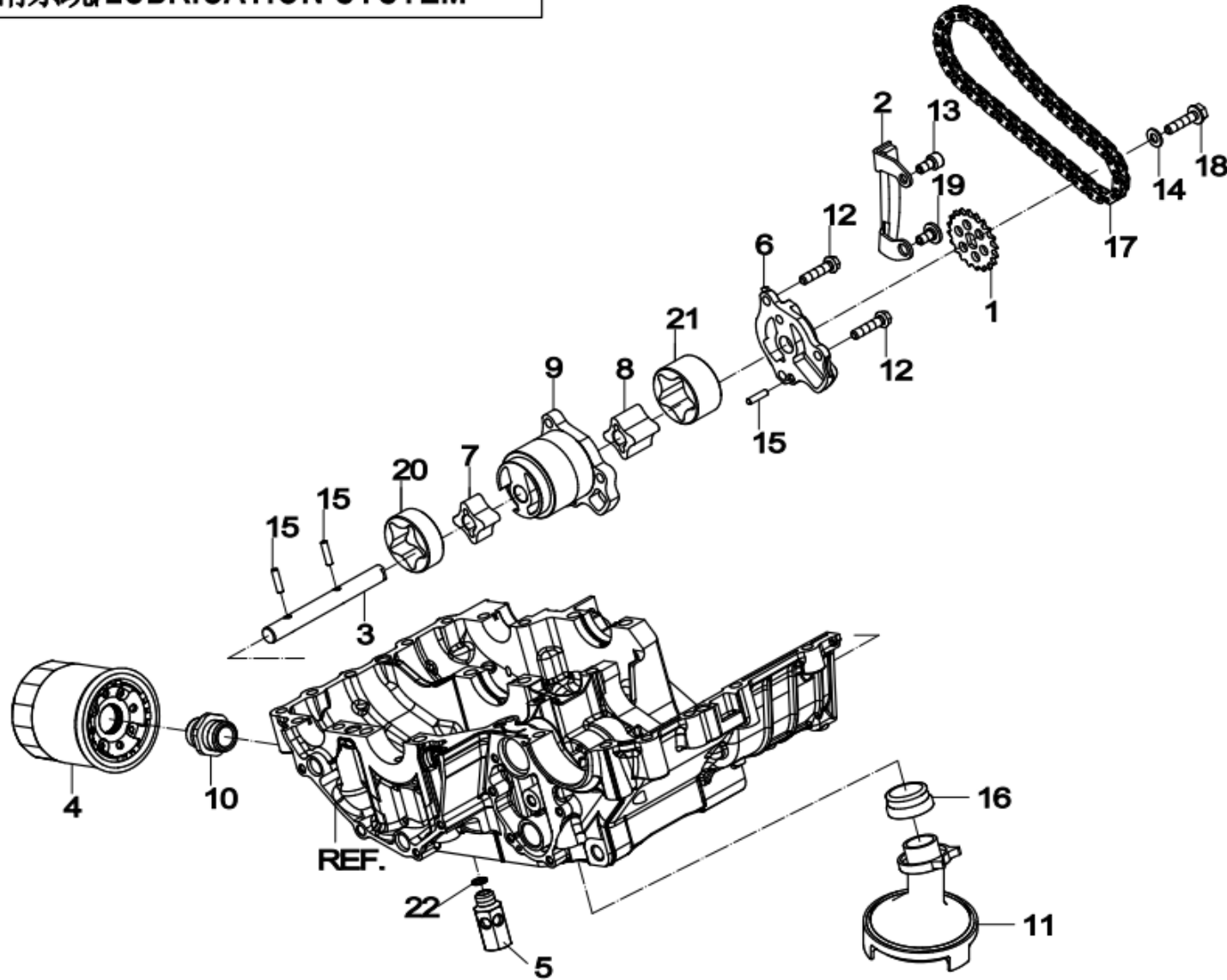


| Item No | Parts Number | Parts Name(EN) | Parts Name(CN) | Qty | Remark(s) |
|---------|-------------------|--------------------------------|----------------|-----|------------------|
| 03 | 0700-061001-1000 | MAIN SHAFT | 主轴 | 1 | 1-3 GEAR |
| 04 | 0700-062001-1000 | COUNTERSHAFT | 副轴 | 1 | 1-3 GEAR |
| 05 | 0700-062030 | SPROCKET, OUTPUT | 输出链轮组件 | 1 | |
| 16 | 0700-011108 | PRESS TOOL, SHAFT SLEEVE | 轴套压板 | 1 | |
| 17 | 0700-066003 | PLATE 1 | 挡板1 | 1 | |
| 18 | 0180-014009-00001 | SCREW, PRESS PLATE | 油封压板螺钉 | 2 | |
| 22 | 0700-061016 | CIRCLIPS FOR SHAFT20 | 轴用挡圈20 | 2 | 20 |
| 24 | 0700-066002 | BEARING 25x62x17 | 轴承 | 1 | 25x62x17 |
| 25 | 0700-010100 | BEARING 25x62x17, COUNTERSHAFT | 副轴轴承 | 1 | 25x62x17 |
| 26 | 30499-02004 | NEEDLE BEARING | 滚针轴承 | 2 | KMJ20x26x13.8x1S |
| 27 | 0800-062205 | O-SEAL RING 25x2 | O形密封圈 | 1 | 25x2 |
| 28 | 0700-061012 | BUSHING 28x14.7 | 轴承套28x14.7 | 1 | |
| 29 | 0700-062007 | BUSHING 29.65 | 轴承套 | 1 | |
| 30 | 0700-062016-00001 | NUT, COUNTER PULSE | 记数脉冲螺母 | 1 | |
| 31 | 0700-062013-1000 | COLLAR, COUNTERSHAFT | 副轴轴套 | 1 | CHANG ZHOU SU TE |
| 33 | 0700-062005 | WASHER | 花键垫圈 | 1 | |
| 34 | 0700-062003 | WASHER 20.4x25x0.5 | 垫圈 | 1 | 20.4x25x0.5 |
| 35 | 0700-062015 | WASHER | 防松垫圈 | 1 | |
| 36 | 0700-061008 | WASHER | 花键垫圈 | 3 | |
| 37 | 0700-061000-10000 | MAIN SHAFT ASSY | 主轴部件 | 1 | |
| 38 | 0700-062000-10000 | COUNTERSHAFT | 副轴部件 | 1 | |



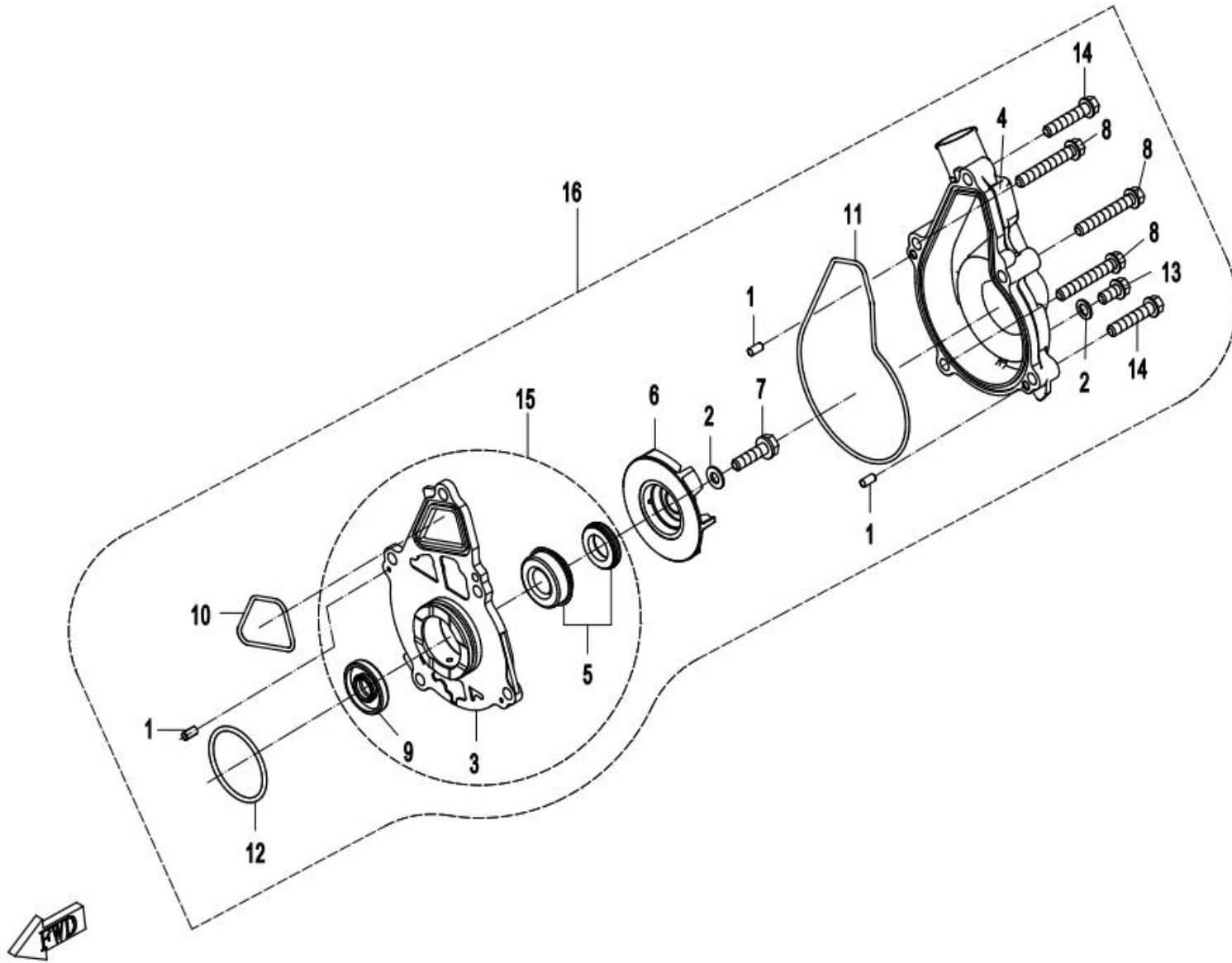
| Item No | Parts Number | Parts Name(EN) | Parts Name(CN) | Qty | Remark(s) |
|---------|-------------------|------------------------------|----------------|-----|--------------|
| 01 | 0700-065100-20000 | GEARSHIFT SHAFT SUB ASSY | 换档轴分部件 | 1 | |
| 02 | 0700-064002 | SPRING, SWING ARM, GEARSHIFT | 换档定位摇臂扭簧 | 1 | |
| 03 | 0700-064001 | WASHER | 垫圈 | 1 | 6.3x16.3x1.2 |
| 04 | 0700-064100 | SWING ARM, GEARSHIFT | 换档定位摇臂分部件 | 1 | |
| 05 | 0700-064003 | SLEEVE, SWING ARM, GEARSHIFT | 换档定位摇臂轴套 | 1 | |
| 06 | 30102-060016810 | SCREW | 螺钉M6x16 | 1 | |

E07 润滑系统/LUBRICATION SYSTEM

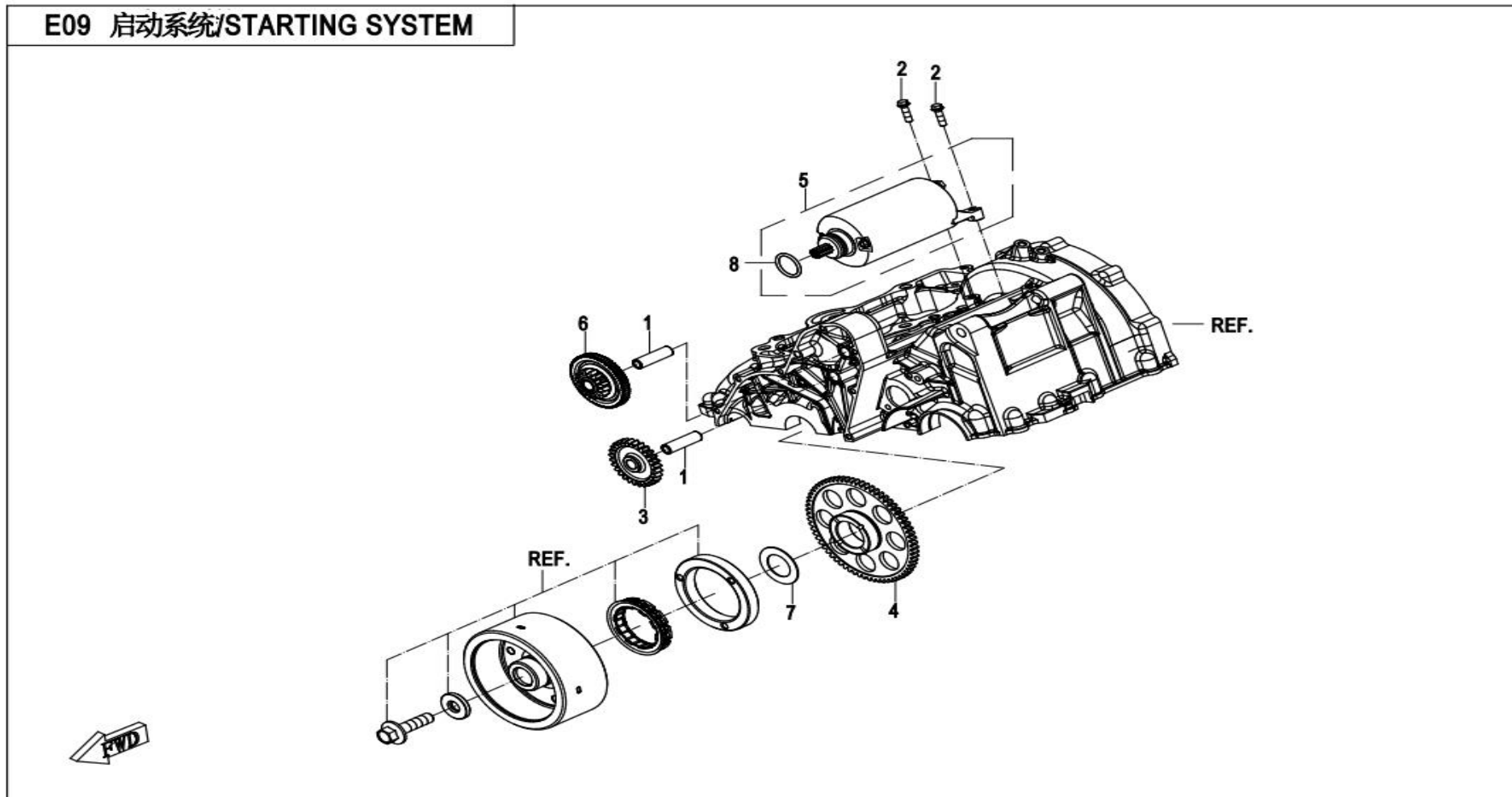


| Item No | Parts Number | Parts Name(EN) | Parts Name(CN) | Qty | Remark(s) |
|---------|-------------------|---------------------------------|----------------|-----|-------------------------|
| 01 | 0700-070004 | SPROCKET, OIL PUMP | 机油泵链轮 | 1 | Huzhou Shuangshi |
| 02 | 0700-070400 | CHAIN GUIDE, OIL PUMP | 机油泵链条导板组件 | 1 | |
| 03 | 0700-071001 | SHAFT, OIL PUMP | 机油泵轴 | 1 | |
| 04 | 0700-070200 | OIL FILTER | 机油滤清器总成 | 1 | |
| 05 | 0700-012600-1000 | RELIEF VALVE, OIL | 机油限压阀组件 | 1 | |
| 06 | 0700-071006-00001 | COVER, OIL PUMP | 机油泵盖 | 1 | |
| 07 | 0700-071004 | INNER ROTOR, MAIN OIL PUMP | 主机油泵内转子 | 1 | |
| 08 | 0700-071008 | INNER ROTOR, AUXILIARY OIL PUMP | 副机油泵内转子 | 1 | |
| 09 | 0700-071002 | OIL PUMP | 机油泵体 | 1 | |
| 10 | 0700-012106-00002 | OIL FILTER BOLT | 机油滤安装螺栓 | 1 | |
| 11 | 0700-070110 | OIL SUCTION PAN ASSY | 吸油盘合件 | 1 | |
| 12 | 0010-021017-0010 | BOLT M6x25 | 螺栓 | 3 | M6x25 |
| 13 | 0010-090006-00001 | SCREW | 螺钉M6x12 | 1 | |
| 14 | 0700-064001 | WASHER | 垫圈 | 1 | 6.3x16.3x1.2 |
| 15 | 30406-00400 | ROLLER NEEDLE P4x15.8 | 滚针 | 3 | P4x15.8 |
| 16 | 0700-070101 | GASKET, OIL SUCTION PAN | 吸油盘密封圈 | 1 | |
| 17 | 0700-070500 | CHAIN, OIL PUMP | 机油泵链条组件 | 1 | Huzhou Shuangshi |
| 18 | 0700-070005 | BOLT M6x20 | 螺栓 | 1 | M6x20, LEFT-HAND THREAD |
| 19 | 0700-070002-00001 | SCREW M6x9 | 螺钉M6x9 | 1 | |
| 20 | 0700-071003 | OUTER ROTOR, MAIN OIL PUMP | 主机油泵外转子 | 1 | |
| 21 | 0700-071007 | OUTER ROTOR, AUXILIARY OIL PUMP | 副机油泵外转子 | 1 | |
| 22 | 0700-012701 | O-SEAL RING | O型密封圈10x2 | 1 | 10x2 |

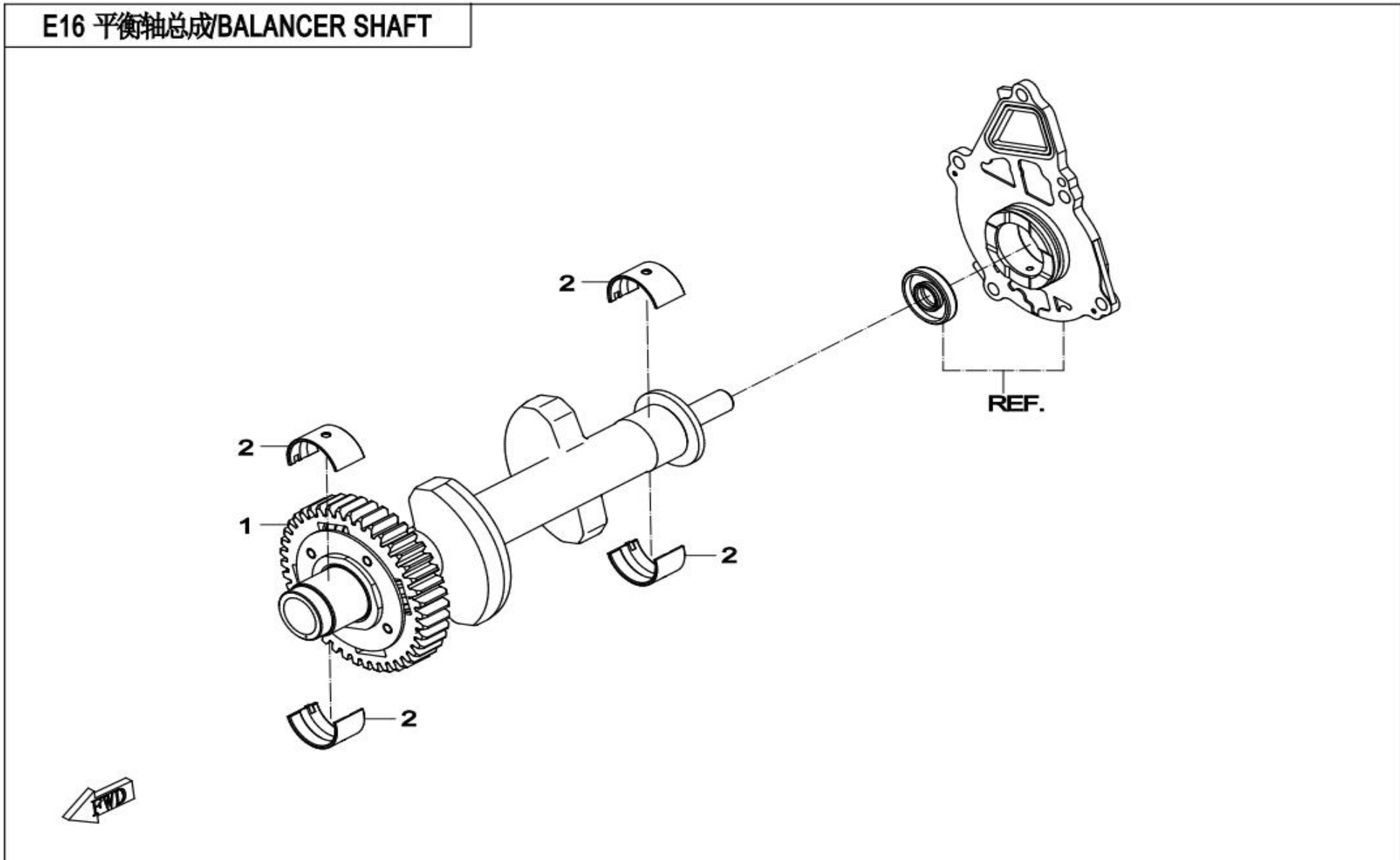
E08 水泵总成/WATER PUMP



| Item No | Parts Number | Parts Name(EN) | Parts Name(CN) | Qty | Remark(s) |
|---------|-------------------|-------------------------------|----------------|-----|-------------|
| 01 | 30406-00401 | ROLLER NEEDLE P4x7.8 | 滚针P4x7.8 | 3 | P4x7.8 |
| 02 | 0010-080011 | WASHER 6x12x1 | 垫圈 | 2 | 6x12x1 |
| 03 | 0700-081001-1B200 | WATER PUMP BODY | 水泵体 | 1 | MATTE BLACK |
| 04 | 0700-080001-1B200 | WATER PUMP COVER | 水泵盖 | 1 | MATTE BLACK |
| 05 | 0700-081200 | WATER SEAL ASSY | 水封组件 | 1 | |
| 06 | 0700-080003-00001 | IMPELLER, WATER PUMP | 水泵叶轮 | 1 | |
| 07 | 0010-080013-0010 | BOLT M6x22 | 螺栓 | 1 | M6x22 |
| 08 | 0010-013009-0010 | BOLT M6x40 | 螺栓 | 3 | M6x40 |
| 09 | 0700-081100 | OIL SEAL 12x32x5.5 | 油封 | 1 | 12x32x5.5 |
| 10 | 0700-081002 | SEAL RING, WATER PUMP HOUSING | 水泵体密封圈 | 1 | |
| 11 | 0700-080002 | SEAL RING, WATER PUMP COVER | 水泵盖密封圈 | 1 | |
| 12 | 0700-081004 | O-RING 37x2.5 | O型密封圈37X2.5 | 1 | |
| 13 | 0010-021019-0010 | BOLT M6x12 | 螺栓 | 1 | M6x12 |
| 14 | 0010-060012-0010 | BOLT M6x30 | 螺栓 | 2 | M6x30 |

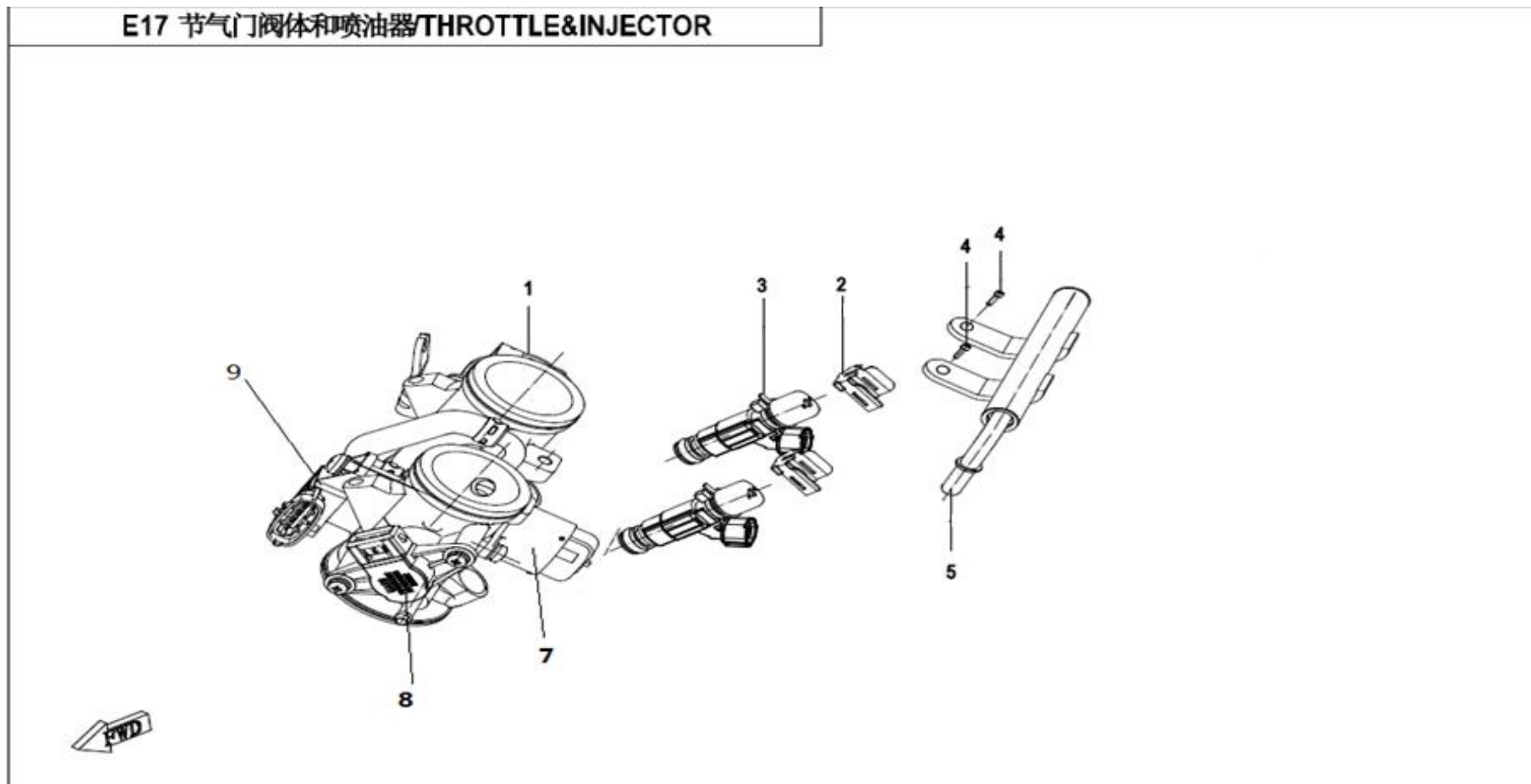


| Item No. | Parts Number | Parts Name(EN) | Parts Name(CN) | Qty | Remark(s) |
|----------|-------------------|---------------------------|----------------|-----|-------------|
| 01 | 0700-090003 | SHAFT, MIDDLE GEAR | 中间齿轮轴 | 2 | |
| 02 | 0010-080013-0010 | BOLT M6x22 | 螺栓 | 2 | M6x22 |
| 03 | 0700-090002 | STARTING GEAR | 起动中间齿轮 | 1 | |
| 04 | 0700-094000-10001 | GEAR ASSY, STARTING MOTOR | 起动大齿轮组件 | 1 | |
| 05 | 0HU0-093000 | STARTING MOTOR | 起动电机组件 | 1 | |
| 06 | 0700-090004 | DUAL GEAR | 双联齿轮 | 1 | |
| 07 | 0700-090001 | WASHER | 垫圈 | 1 | 29.2x48x1.2 |
| 08 | 0700-093101 | O-SEAL RING 24.7x3.10 | O形密封圈 | 1 | 24.7x3.10 |



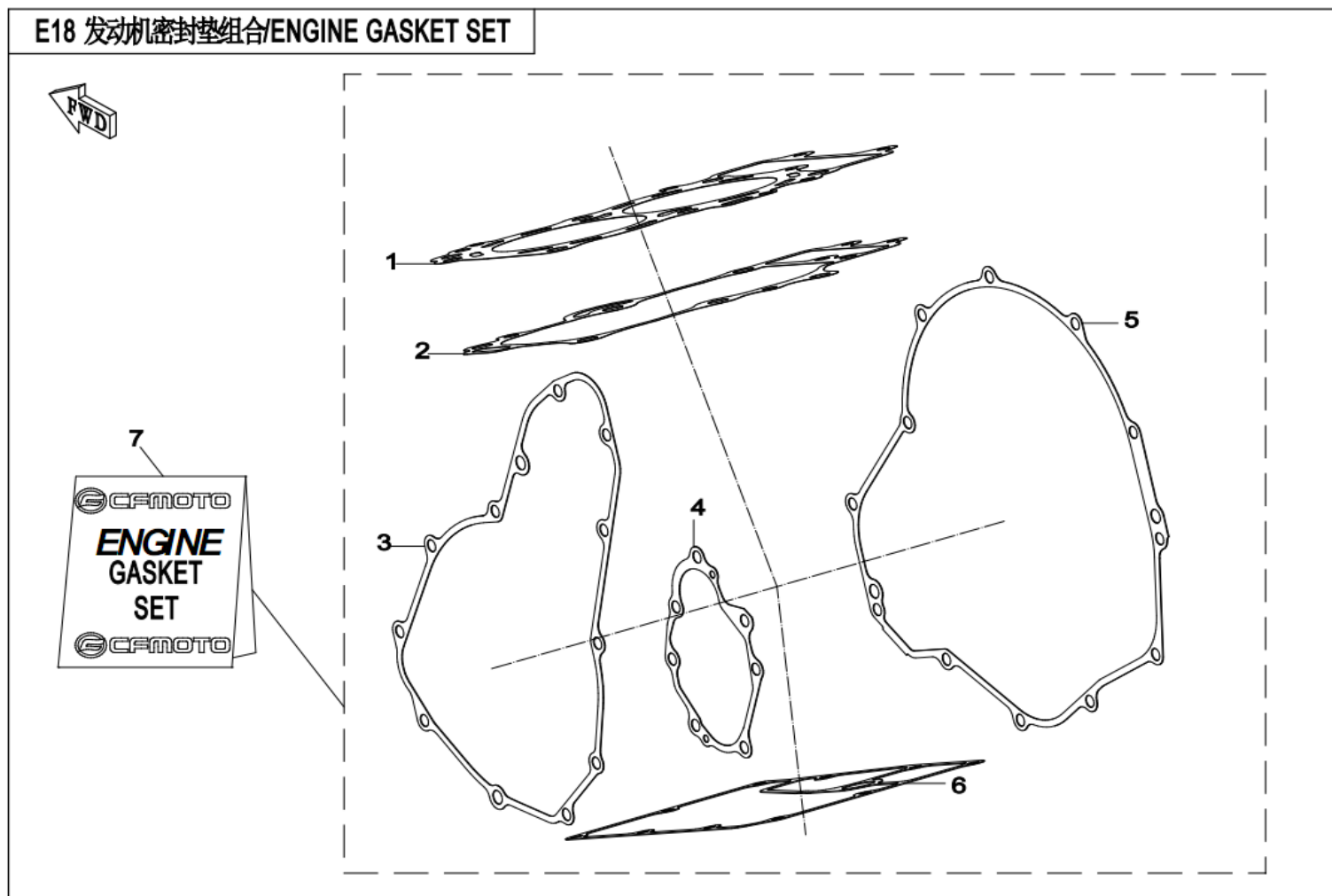
| Item No | Parts Number | Parts Name(EN) | Parts Name(CN) | Qty | Remark(s) |
|---------|-------------------|-------------------------------|----------------|-----|-----------|
| 01 | 0700-160000-20011 | BALANCER SHAFT ASSY | 平衡轴总成 | 1 | |
| 02 | 0700-011004-00021 | PLAIN BEARING, BALANCE SHAFT | 平衡轴瓦 | 4 | BLUE |
| 02 | 0700-011004-00011 | PALIN BEARING, BALANCER SHAFT | 平衡轴瓦 | 4 | BLACK |

E17 节气门阀体和喷油器 THROTTLE&INJECTOR



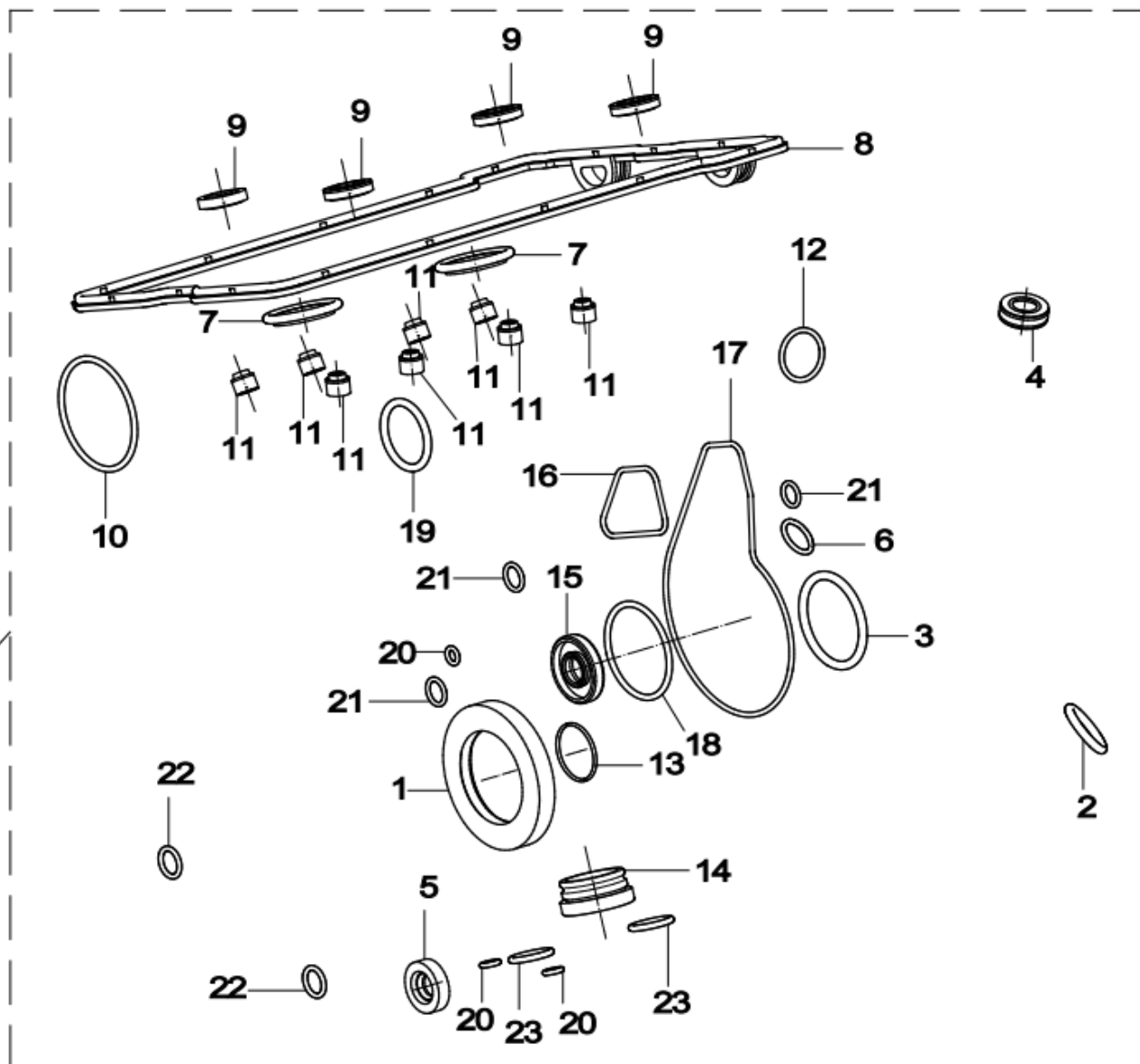
| Item No | Parts Number | Parts Name(EN) | Parts Name(CN) | Qty | Remark(s) |
|---------|-------------------|--------------------------|----------------|-----|---|
| 01 | 0700-173000-60000 | THROTTLE BODY ASSY | 节气门阀体总成 | 1 | ONLY FOR CF650-7, STRAIGHT CYLINDER VALVE |
| 02 | 0MQ0-171001 | CIRCLIP | 卡簧 | 2 | |
| 03 | 0700-171100 | FUEL INJECTOR | 喷油器 | 2 | |
| 04 | 0010-090006-00001 | SCREW M6x12 | 螺钉 | 2 | M6x12 Black oxidation |
| 05 | 0MQ0-171200 | FUEL RAIL | 油轨 | 1 | |
| 07 | 0MQ0-173100 | IDLE STEPPING MOTOR | 怠速步进电机 | 1 | |
| 08 | 0GRB-173300 | THROTTLE POSITION SENSOR | 节气门位置传感器 | 1 | |
| 09 | 0JY0-175000 | T-MAP | 进气温度、压力传感器 | 1 | |

E18 发动机密封垫组合 ENGINE GASKET SET



| Item No | Parts Number | Parts Name(EN) | Parts Name(CN) | Qty | Remark(s) |
|---------|-------------------|----------------------------|----------------|-----|-----------|
| 01 | 0700-022100-0001 | GASKET KIT, CYLINDER HEAD | 气缸盖垫片组件 | 1 | |
| 02 | 0700-023002-0001 | GASKET, CYLINDER | 气缸体垫片 | 1 | |
| 03 | 0700-014002-10000 | GASKET, LH SIDE COVER | 左侧盖密封垫 | 1 | |
| 04 | 0700-065202-10000 | GASKET, TRANSMISSION COVER | 换挡轴盖垫片 | 1 | |
| 05 | 0700-013002-10000 | GASKET, RH SIDE COVER | 右侧盖密封垫 | 1 | |
| 06 | 0700-015004-10000 | GASKET, OIL PAN | 油底壳垫片 | 1 | |
| 07 | 0700-0000A0 | ENGINE GASKET SET | 发动机密封垫组合 | 1 | |

E19 发动机油封及O型圈/ENGINE OIL SEAL & O-RING SET



CFMOTO
ENGINE
OIL SEAL & O-RING
SET
CFMOTO

24

| Item No | Parts Number | Parts Name(EN) | Parts Name(CN) | Qty | Remark(s) |
|---------|-------------------|------------------------------------|----------------|-----|------------------|
| 01 | 0700-010200 | OIL SEAL 40x62x8, COUNTERSHAFT | 副轴油封 | 1 | 40x62x8 |
| 02 | 0110-013030 | O-SEAL RING 18x3.55 | O形密封圈 | 1 | 18x3.55 |
| 03 | 01A0-012003 | O-SEAL RING 35x3.5 | O形密封圈 | 1 | 35x3.5 |
| 04 | 0010-080009 | OIL SEAL | 油封 | 1 | 12x20x5 |
| 05 | 0700-065220 | OIL SEAL 13x22x5.5 | 油封 | 1 | 13x22x5.5 |
| 06 | 01A0-013005 | O-SEAL RING | O形密封圈 | 1 | 13x2 |
| 07 | 0700-021300 | SEAL RING, SPARK PLUG HOLE | 火花塞孔密封圈 | 2 | |
| 08 | 0700-021400-00010 | SEAL RING, CYLINDER HEAD COVER | 气缸盖罩密封圈 | 1 | SHU YAUN MACHINE |
| 09 | 0700-021200 | CYLINDER HEAD COVER BOLT SEAL RING | 气缸盖罩螺栓密封圈 | 4 | |
| 10 | 0700-022011 | O-SEAL RING 44.5x2.5 | O形密封圈 | 1 | 44.5x2.5 |
| 11 | 0700-022400-1000 | SEAL RING, VALVE STEM | 气门杆密封圈组件 | 8 | |
| 12 | 0700-024001 | O-SEAL RING 19x2 | O形密封圈 | 1 | 19x2 |
| 13 | 0800-062205 | O-SEAL RING 25x2 | O形密封圈 | 1 | 25x2 |
| 14 | 0700-070101 | GASKET, OIL SUCTION PAN | 吸油盘密封圈 | 1 | |
| 15 | 0700-081100 | OIL SEAL 12x32x5.5 | 油封 | 1 | 12x32x5.5 |
| 16 | 0700-081002 | SEAL RING, WATER PUMP HOUSING | 水泵体密封圈 | 1 | |
| 17 | 0700-080002 | SEAL RING, WATER PUMP COVER | 水泵盖密封圈 | 1 | |
| 18 | 0180-080002 | O-RING 34x2.5 | O形圈 | 1 | 34x2.5 |
| 19 | 0700-093101 | O-SEAL RING 24.7x3.10 | O形密封圈 | 1 | 24.7x3.10 |
| 20 | 0700-012201 | O-SEAL RING 5x2 | O形密封圈 | 3 | 5x2 |
| 21 | 0700-011202 | O-SEAL RING | O型密封圈 | 3 | 8.2x1.90 |
| 22 | 0700-012701 | O-SEAL RING | O型密封圈10x2 | 2 | 10x2 |
| 23 | 0700-070003 | O-SEAL RING 14x2.5 | O形密封圈 | 2 | 14x2.5 |
| 24 | 0700-0000B0 | ENGINE OIL SEAL & O-RING SET | 发动机油封及O型圈 | 1 | |